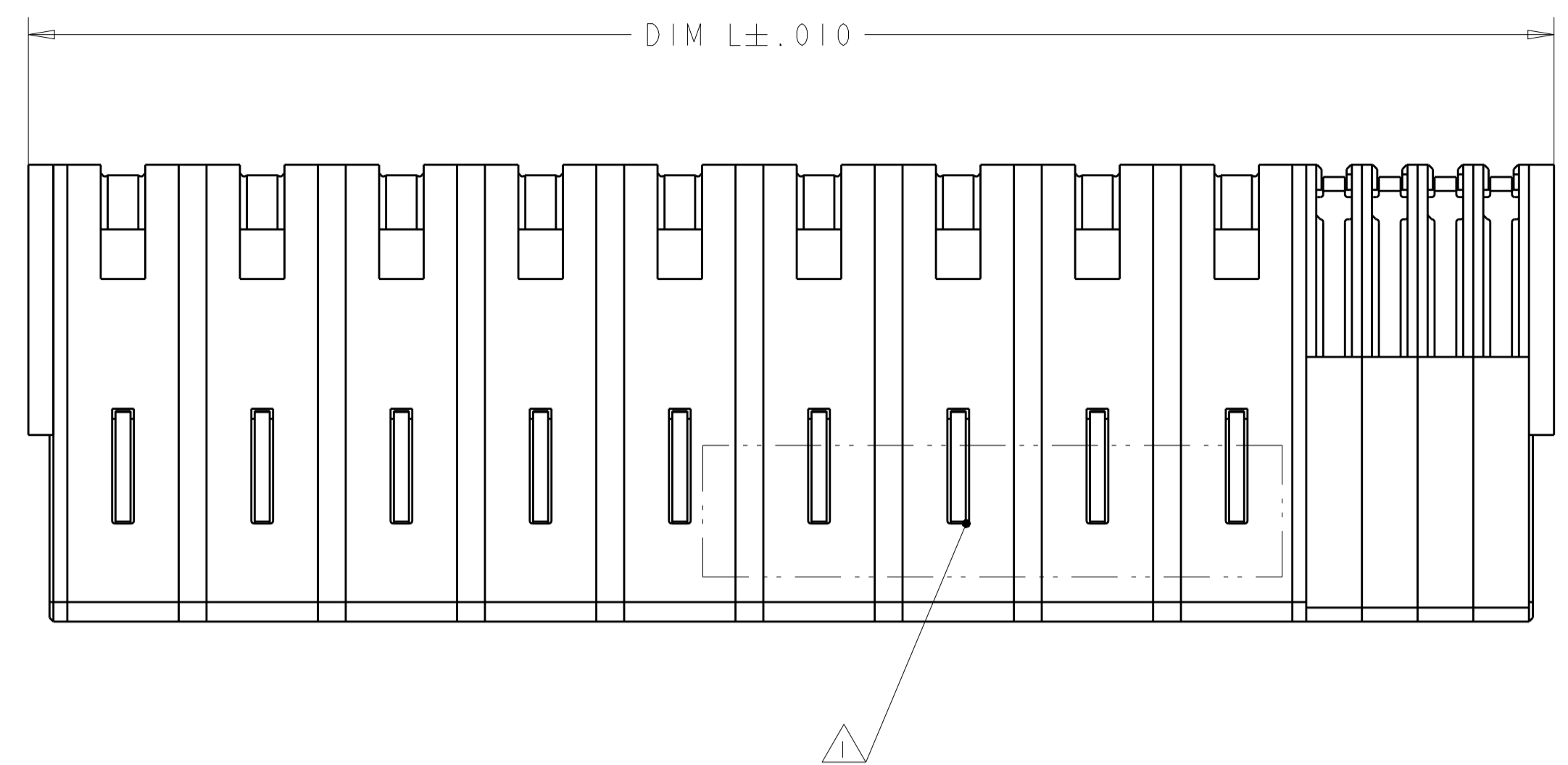
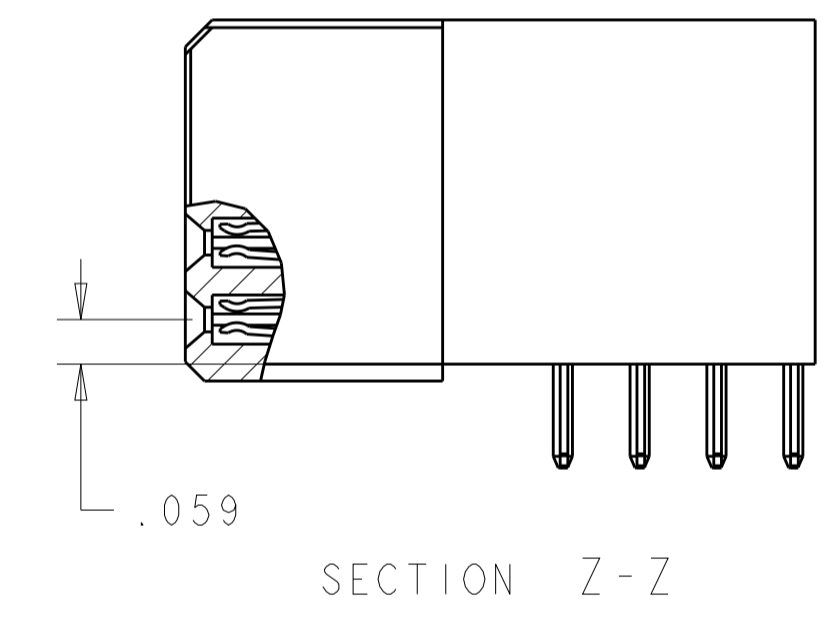
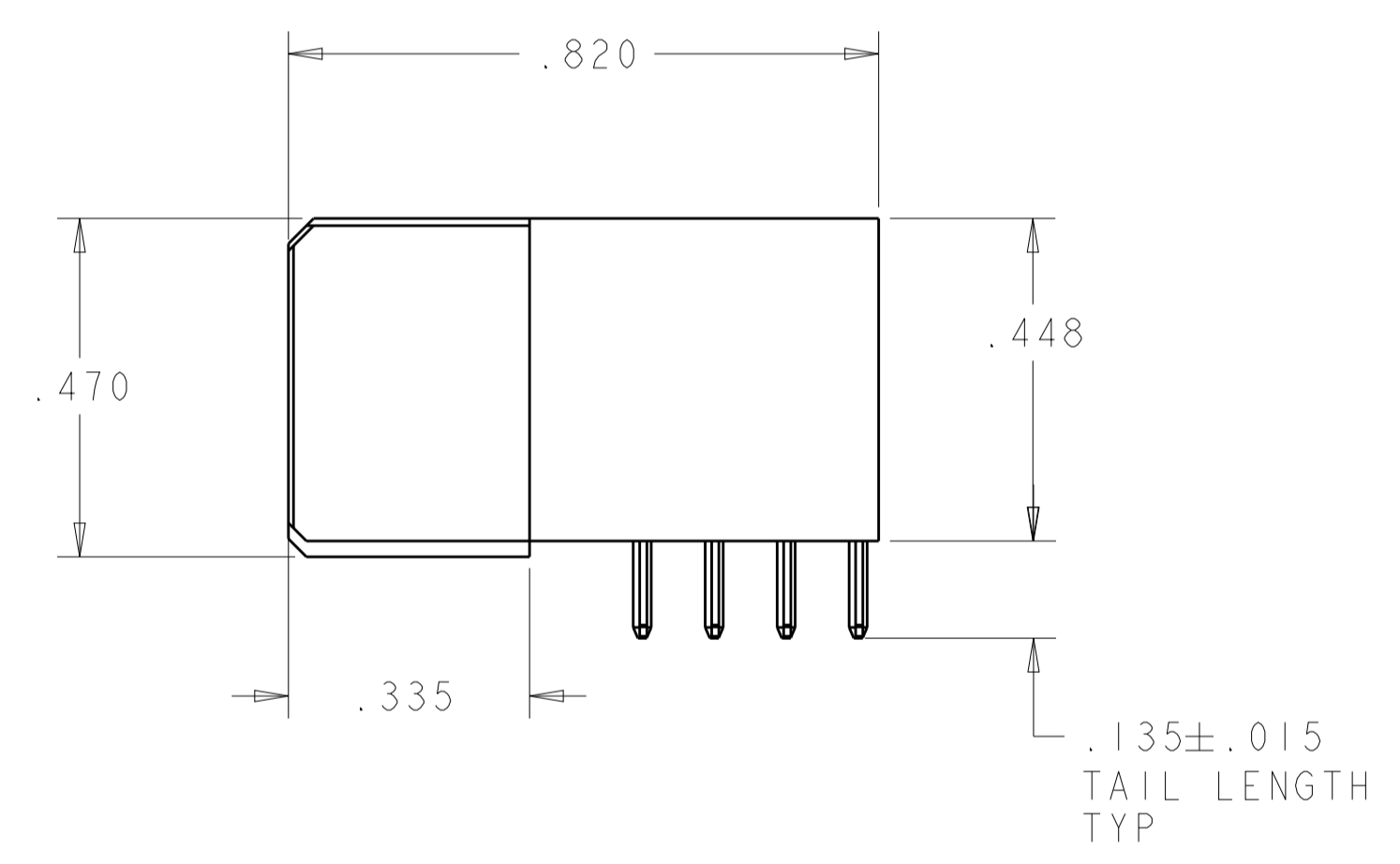
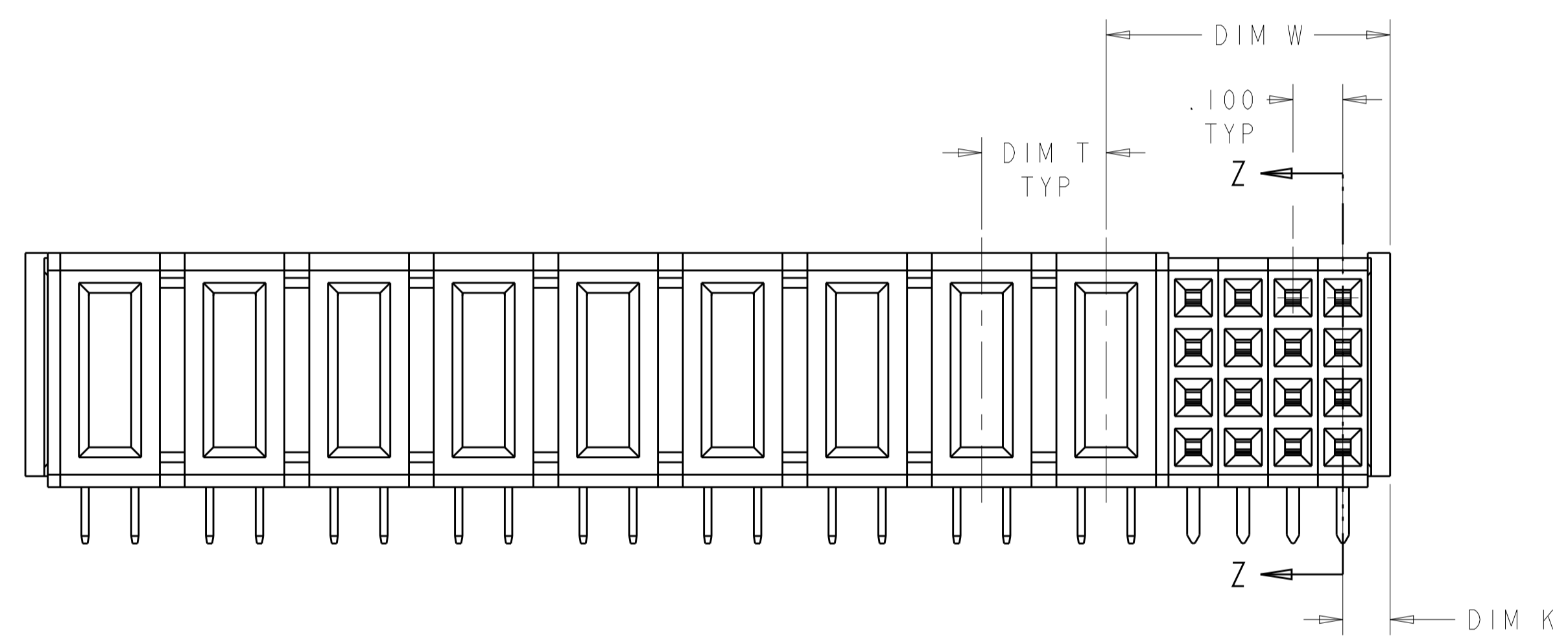


| LOC | DIST | REVISIONS | | | | | |
|-----|------|-----------|-----|-----------------------|-----------|-----|------|
| | | P | LTN | DESCRIPTION | DATE | DWN | APVD |
| ES | 00 | A | | REV PER ECR-07-009452 | 24APR2007 | CZ | SY |
| | | A1 | | REV PER ECR-07-014423 | 18JUN207 | CZ | SY |
| | | A2 | | ADVISED | 16MAR2013 | ML | SZ |



- 1 "AMP", PART NUMBER, AND DATE CODE TO BE MARKED IN AREA SHOWN.
- 2 MATERIAL: HOUSING - GLASS FILLED HIGH TEMP THERMO PLASTIC, UL94 V-0
 SIGNAL CONTACT - HIGH CONDUCTIVITY COPPER ALLOY
 POWER CONTACT - HIGH CONDUCTIVITY COPPER ALLOY
- 3 CONTACT PLATING: NOBLE METAL PLATING ON CONTACT FUNCTIONAL AREA OF POWER AND SIGNAL CONTACTS
- 4 MECHANICAL CONNECTOR KEEP OUT ZONE.
- 5 DATUM AND BASIC DIMENSIONS ESTABLISHED BY CUSTOMER.
- 6 PCB - ALL HOLE DIAMETERS ARE FINISHED HOLE SIZES.
- 7 PCB - .0453 +/- .0010 DRILLED HOLES PLATED WITH .0003 MIN Sn OVER .001 TO .003 PLATING TO ACHIEVE A .040 DIA. HOLE.



| | | | | | |
|-------|-------|-------|-------|-------------|-------------|
| .250 | .370 | .095 | 2.290 | 8S + 8P | 6450165-2 |
| .250 | .570 | .095 | 2.740 | 16S + 9P | 6450165-1 |
| DIM T | DIM W | DIM K | DIM L | DESCRIPTION | PART NUMBER |

| | | | | | | | |
|-----------------------|--|--|--|--|--|--|--|
| DIMENSIONS: INCHES | | TOLERANCES UNLESS OTHERWISE SPECIFIED: 0 PLC ±. 1 PLC ±.01 2 PLC ±.01 3 PLC ±.005 4 PLC ±.0020 ANGLES ±.7° | | DWN: CECILY.ZHOU 24APR2007 CHK: S.ZHAO 24APR2007 APVD: S.YAO | | Tyco Electronics Tyco Electronics incorporated Shanghai, P.R.China. 200233 | |
| | | | | NAME: RIGHT ANGLE RECEPTACLE ASSEMBLY WITH GUIDES MULTI-BEAM XL | | SIZE: A1 CAGE CODE: 00779 DRAWING NO: 6450165 | |
| MATERIAL: | | FINISH: | | WEIGHT: - CUSTOMER DRAWING | | RESTRICTED TO: - SCALE: 4:1 SHEET 1 OF 2 REV: A2 | |

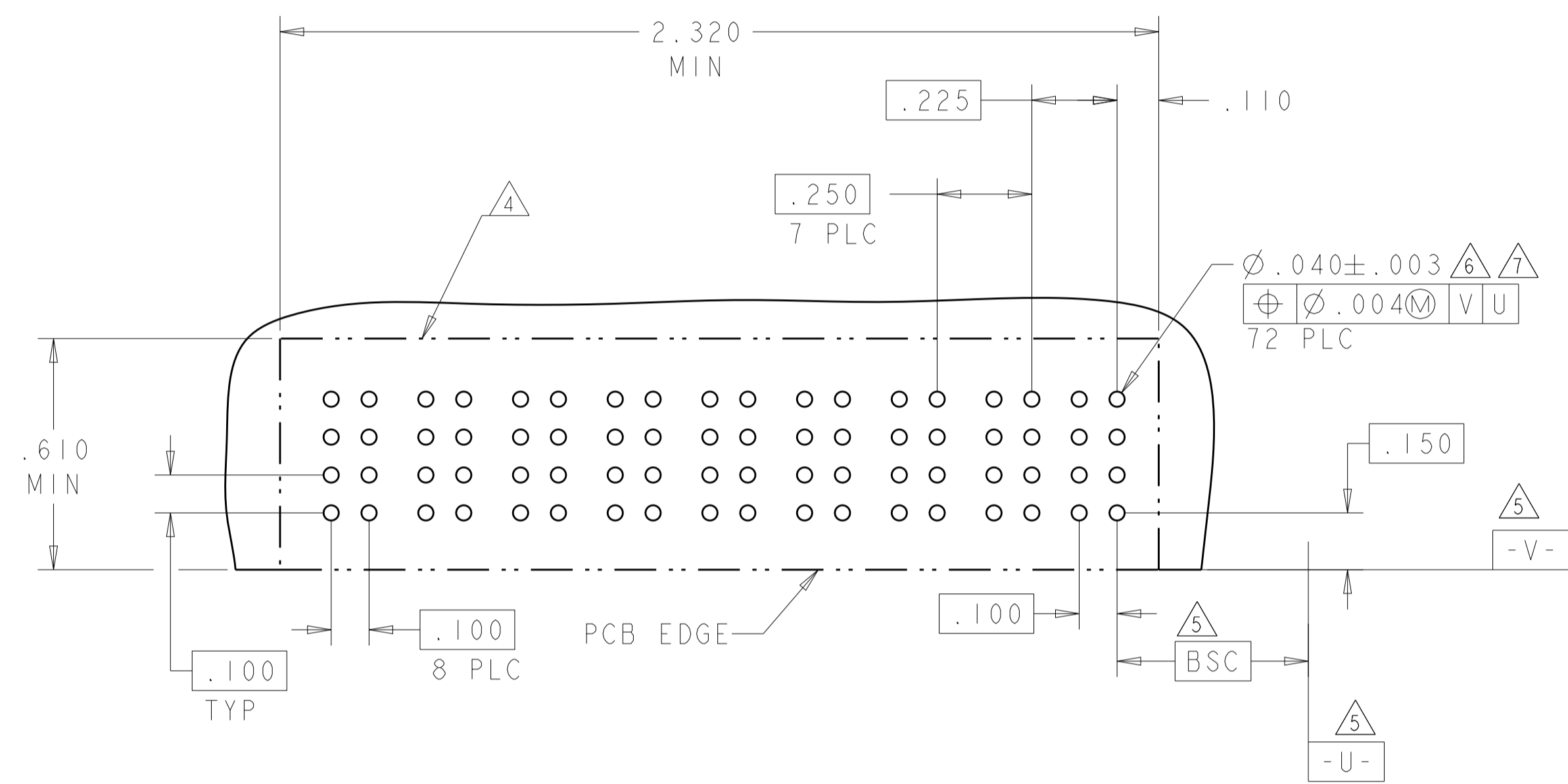
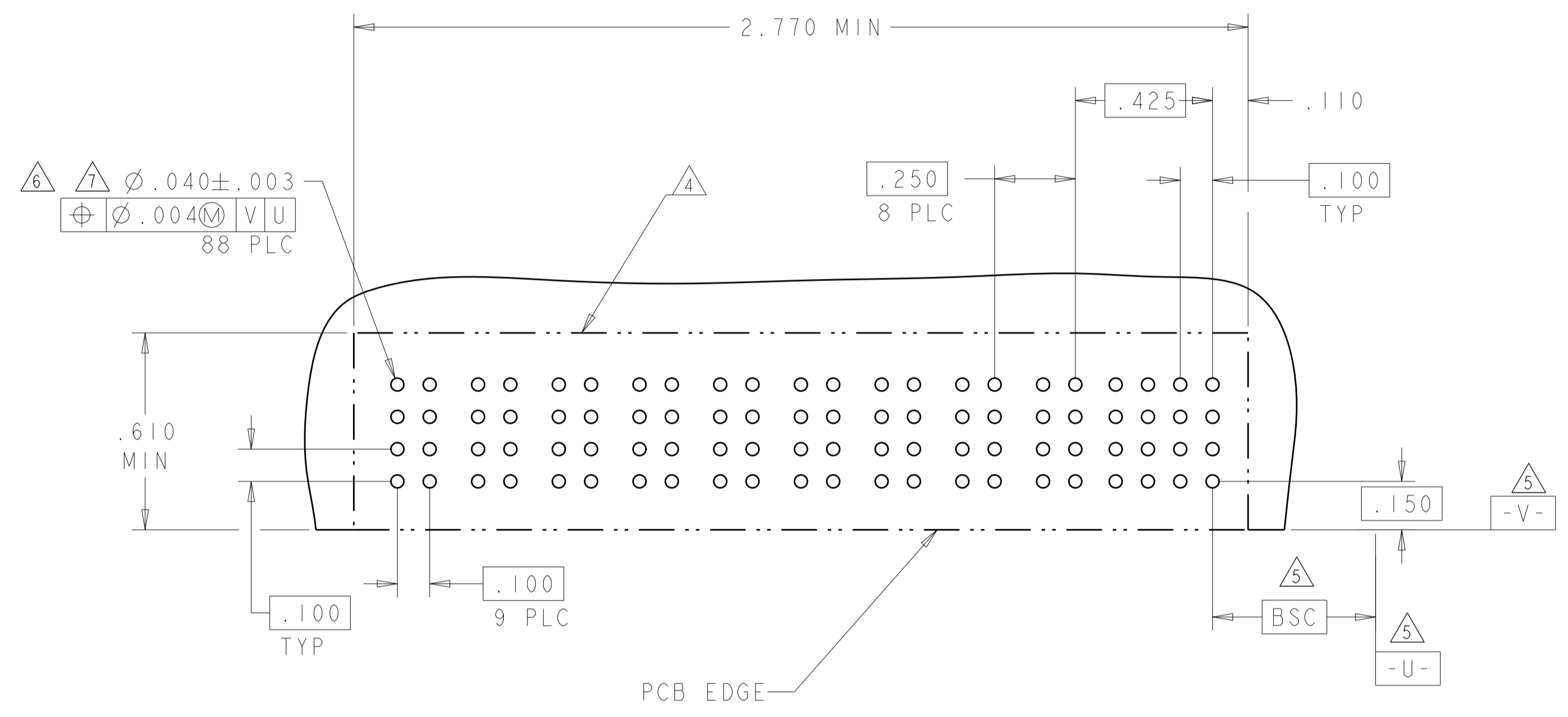
| LOC | DIST | REVISIONS | | | |
|-----|------|-------------|------|-----|------|
| P | LTN | DESCRIPTION | DATE | OWN | APVD |
| ES | 00 | SEE SHEET 1 | | | |

| PART NUMBER | ROWS | POWER | | | | | | | | | SIGNAL | | | |
|-------------|------|-------|----|----|----|----|----|----|----|----|--------|---|---|---|
| | | P9 | P8 | P7 | P6 | P5 | P4 | P3 | P2 | P1 | 4 | 3 | 2 | 1 |
| 6450165-1 | D | RM | RM | RM | RM | RM | RM | RM | RM | RM | H | H | H | H |
| | C | RM | RM | RM | RM | RM | RM | RM | RM | RM | G | G | G | G |
| | B | RM | RM | RM | RM | RM | RM | RM | RM | RM | F | F | F | F |
| | A | RM | RM | RM | RM | RM | RM | RM | RM | RM | E | E | E | E |

16S + 9P

| PART NUMBER | ROWS | POWER | | | | | | | | SIGNAL | | |
|-------------|------|-------|----|----|----|----|----|----|----|--------|---|---|
| | | P8 | P7 | P6 | P5 | P4 | P3 | P2 | P1 | 2 | 1 | |
| 6450165-2 | D | RM | RM | RM | RM | RM | RM | RM | RM | RM | H | H |
| | C | RM | RM | RM | RM | RM | RM | RM | RM | RM | G | G |
| | B | RM | RM | RM | RM | RM | RM | RM | RM | RM | F | F |
| | A | RM | RM | RM | RM | RM | RM | RM | RM | RM | E | E |

8S + 8P



| CODE | DESCRIPTION | ROW |
|---------|---------------------|-----|
| H | SIGNAL CONTACT, STD | D |
| G | SIGNAL CONTACT, STD | C |
| F | SIGNAL CONTACT, STD | B |
| E | SIGNAL CONTACT, STD | A |
| RM | POWER CONTACT, STD | - |
| CONTACT | | |

| | | | |
|---|---|---|---|
| <small>THE DRAWING IS UNPUBLISHED. IT IS THE PROPERTY OF TYCO ELECTRONICS CORPORATION. IT IS SUBJECT TO CHANGE AND WITHOUT WARRANTY OF ANY KIND. REVISIONS SHOULD BE CONTACTED FOR THE LATEST REVISION.</small> | | DWN: CECILY.ZHOU 24APR2007 CHK: S.ZHAO 24APR2007 APVD: S.YAO NAME: S.YAO | Tyco Electronics incorporated Shanghai, P.R.China. 200233 |
| DIMENSIONS: INCHES | TOLERANCES UNLESS OTHERWISE SPECIFIED: 0 PLC ±. 1 PLC ±.01 2 PLC ±.01 3 PLC ±.005 4 PLC ±.0020 ANGLES ±.020 | PRODUCT SPEC: 108-1973 APPLICATION SPEC: 114-13038 WEIGHT: - | SIZE: A1 CAGE CODE: 00779 DRAWING NO: 6450165 RESTRICTED TO: - |
| MATERIAL: - FINISH: - | | CUSTOMER DRAWING | SCALE: 4:1 SHEET: 2 OF 2 REV: A2 |