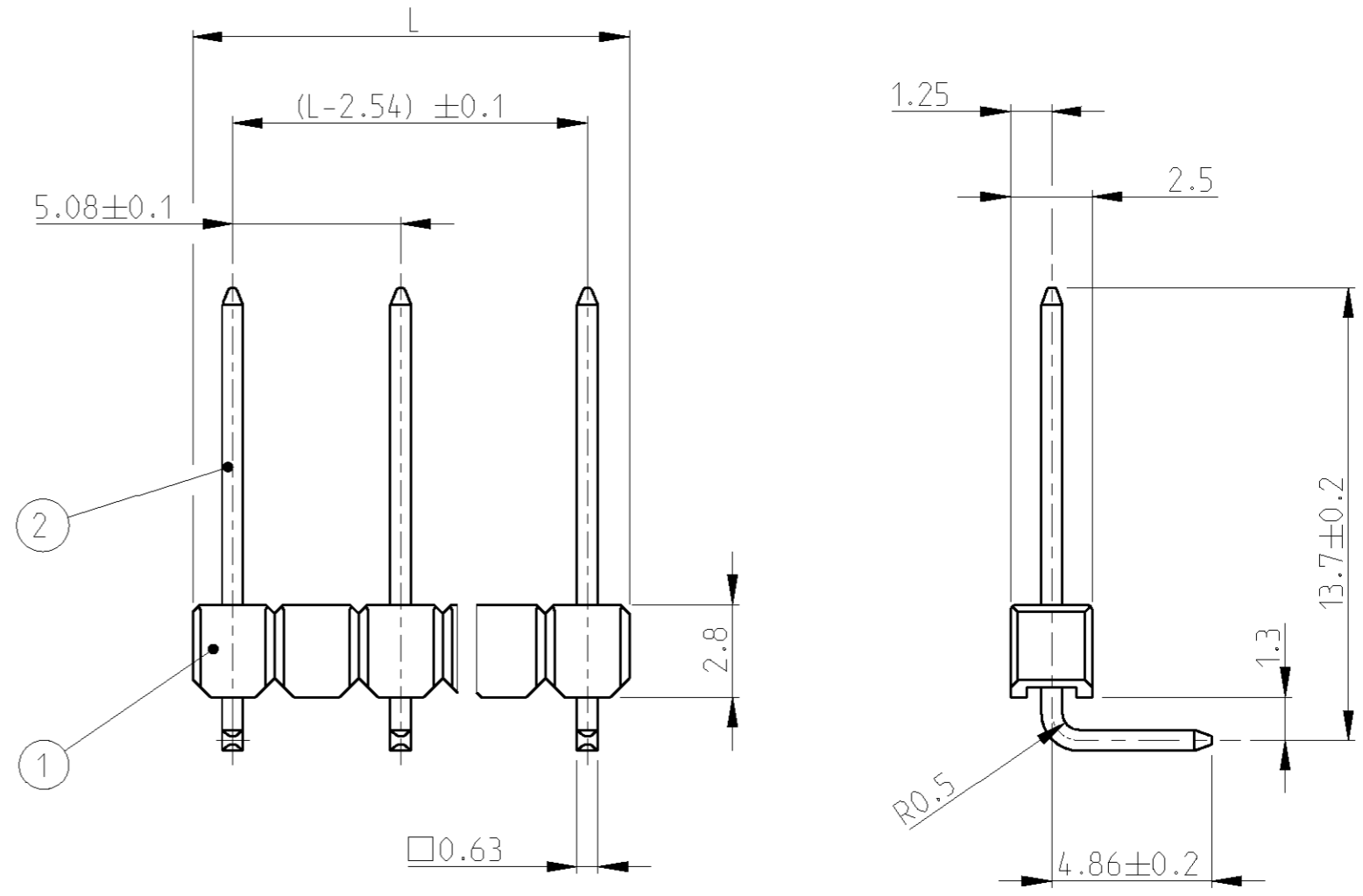


THIS DRAWING IS UNPUBLISHED. RELEASED FOR PUBLICATION 2000  
 © COPYRIGHT 2000 BY TYCO ELECTRONICS CORPORATION. ALL RIGHTS RESERVED.

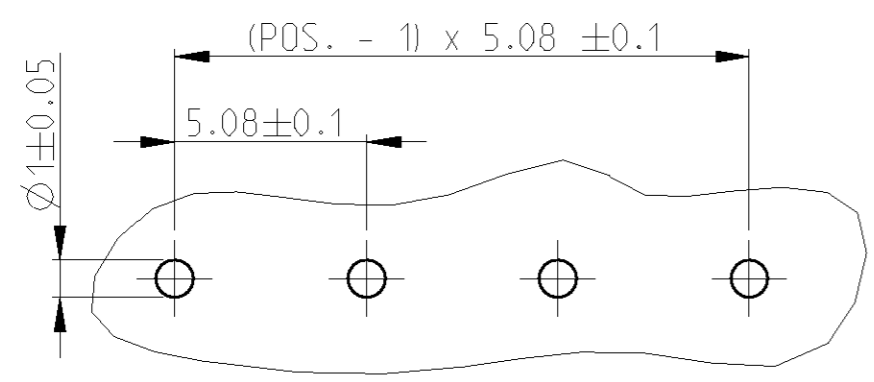
LOC	DIST	REVISIONS			
P	LTR	DESCRIPTION	DATE	DWN	APVD
A3		PN 1241906-3 AND PCB LAYOUT ADDED	12JUN2007	ACK	NG

POS.	L	-0.3	-0.6	PART - NO.
-	-	-	-	-
2	7.62			1 241 906-2
3	12.70			1 241 906-3
4	17.78			-4
5	22.86			-5
6	27.94			-6
7	33.02			-7
8	38.10			-8
9	43.18			-9
10	48.26	1-		-0
11	53.34	1-		-1
12	58.42	1-		-2
13	63.50	1-		-3
14	68.58	1-		-4
15	73.66	1-		-5
16	78.74	1-		-6
17	83.82	1-		-7
18	88.90	1-		-8
19	93.98	1-		-9
20	99.06	2-		-0
21	104.14	2-		-1
22	109.22	2-		-2
23	114.30	2-		-3
24	119.38	2-		-4
25	124.46	2-		-5

1 MIN. 2 μm Sn OVER 1.27 μm Ni  
 2 PIN TIPS PARTIALLY WITHOUT SURFACE



RECOMMENDED PCB LAYOUT



REMARK	DESCRIPTION BEZEICHNUNG	MATERIAL	ITEM LFD. NR.
TIN OVER NICKEL 1	CONTACT PIN KONTAKTSTIFT	Cu Sn	2
COLOUR, GREEN	PINHOUSING STIFTGEHAEUSE	PBT GV	1

THIS DRAWING IS A CONTROLLED DOCUMENT FOR TYCO ELECTRONICS CORPORATION. IT IS SUBJECT TO CHANGE AND THE CONTROLLING ENGINEERING ORGANIZATION SHOULD BE CONTACTED FOR THE LATEST REVISION.

DWN	A.ZITZ	02AUG2001	tyco Electronics AMP GmbH D - 67346 Speyer
CHK	A.ZITZ	02AUG2001	
APVD	-	-	
DIMENSIONS: mm 			NAME AMPMODU II PINHEADER SINGLE ROW RIGHT ANGLE, GRID 5.08
TOLERANCES UNLESS OTHERWISE SPECIFIED: 0 PLC ±0.2 1 PLC ±0.2 2 PLC ±0.2 3 PLC ± 4 PLC ± ANGLES ±2°			
MATERIAL - FINISH -			SIZE A3 CAGE CODE 00779 DRAWING NO C=1241906 RESTRICTED TO -
CUSTOMER DRAWING			SCALE 5:1 SHEET 1 OF 1 REV A3