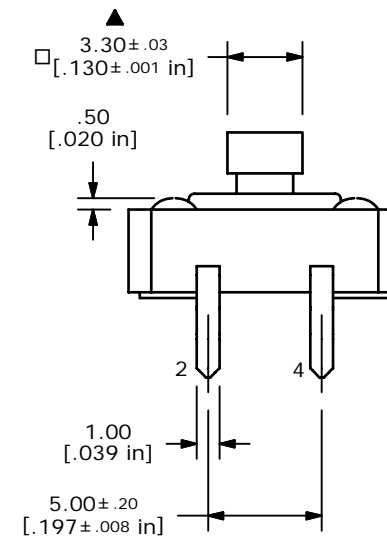
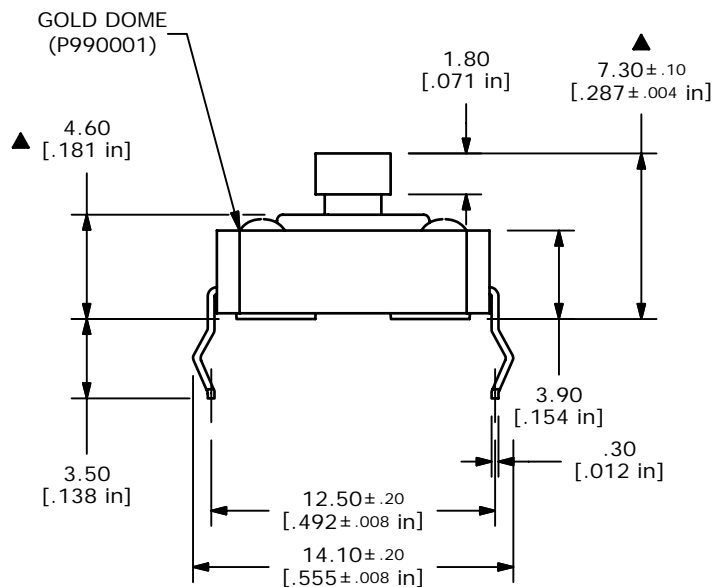
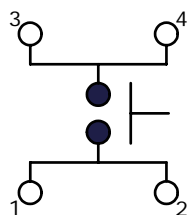


ISOMETRIC



NOTES:

1. ALL DIMENSIONS IN MM [INCH]
2. GENERAL TOLERANCE: X.X=±0.4
X.XX=±0.25
3. TERMINAL NUMBERS FOR REF. ONLY
- ▲4. RATING: 50mA @ 12VDC
5. TRAVEL: 0.30±0.15mm
6. OPERATING FORCE: 260±50mN
7. CONTACT RESISTANCE: 100mΩ MAX.
8. ELECTRICAL LIFE: 100,000 CYCLES
9. ▲ DENOTES CRITICAL PARAMETER
10. 2002/95/EC (ROHS) COMPLIANT
11. CONTACT MATERIAL: GOLD
- ▲12. PACKAGE: 450 PIECES PER POLYBAG

E-SWITCH®

B	16923	CHANGE IN FORCE DONE	1/25/07	TN
A	16735	RELEASED FOR PRODUCTION	12/19/06	TN
REV	PCR NO	DESCRIPTION	DATE	BY

TITLE TL1100F260R				
SCALE	DATE	DR	DWG	REV
2:1	1/25/2007	TN	P001173	B

THE INFORMATION CONTAINED IN THIS DOCUMENT IS PROPRIETARY TO E-SWITCH AND IS NOT TO BE COPIED OR TRANSFERRED