

LOC	DIST	REVISIONS					
A	00	P	LTR	DESCRIPTION	DATE	DWN	APVD
			F2	SEE PRODUCTION DRAWING	-	-	-


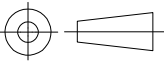
SEE PRODUCTION DRAWING
 680879

RELEASED FOR PUBLICATION

ALL RIGHTS RESERVED.

THIS DRAWING IS UNPUBLISHED.

© COPYRIGHT - By -

DIMENSIONS: INCHES	DWN	M.YOUNGER	11JUN2012	MATERIAL	-	FINISH	-
	CHK	-	-	 TE Connectivity			
TOLERANCES UNLESS OTHERWISE SPECIFIED:	APVD	M.YOUNGER	11JUN2012				
0 PLC ± -	PRODUCT SPEC	-	-	NAME			
1 PLC ± -	APPLICATION SPEC	-	-	ULTRA-POD APPLICATOR, .250 STRAIGHT			
2 PLC ± -	WEIGHT	-	-	SIZE	CAGE CODE	DRAWING NO	RESTRICTED TO
3 PLC ± -				A4	00779	C-680879	-
4 PLC ± -				CUSTOMER DRAWING			SCALE
ANGLES ± -							1:1
							SHEET
							1 OF 1
							REV
							F2