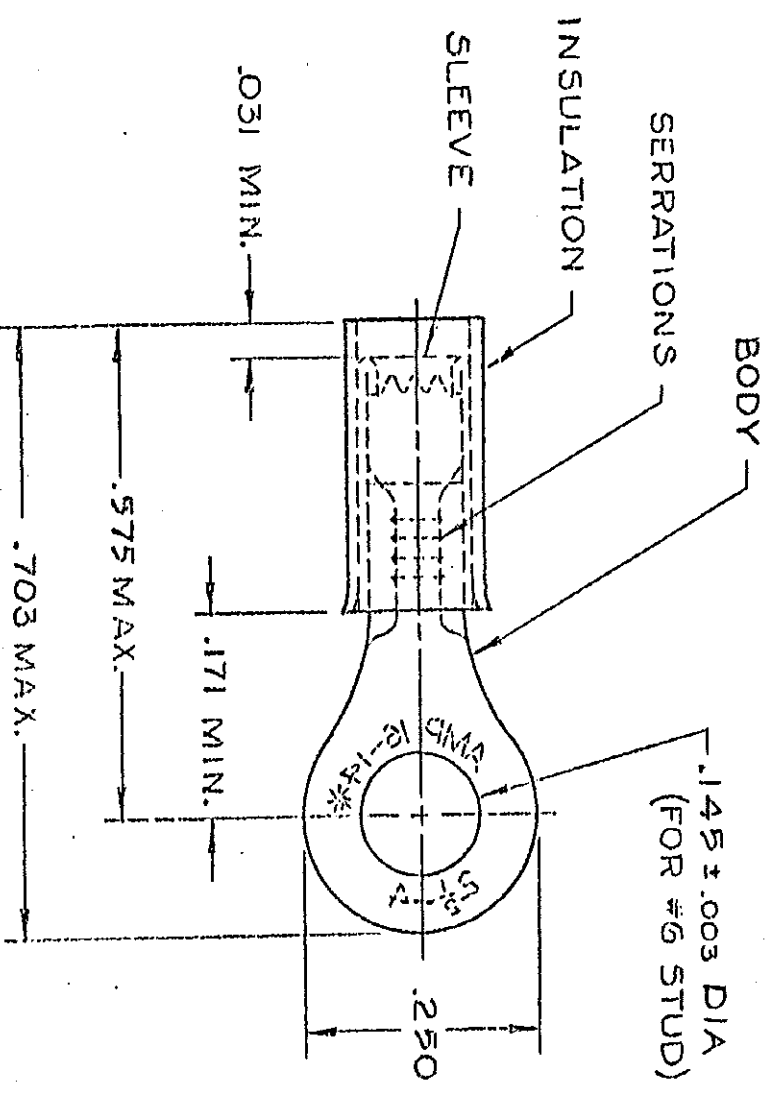


THIS DRAWING IS UNPUBLISHED. RELEASED FOR PUBLICATION 19
 © COPYRIGHT 19 BY AMP INCORPORATED, HARRISBURG, PA. ALL INTERNATIONAL RIGHTS RESERVED. AMP PRODUCTS MAY BE COVERED BY U.S. AND FOREIGN PATENTS AND/OR PATENTS PENDING.



1. WIRE INSULATION DIA. = .115 - .170
2. TONGUE MATERIAL THK. = .031 ± .002

3. TIN PL. (MIL-T-10727) .000100 MIN THK
4. FOREIGN PRODUCTION ONLY.

REVISIONS						
P	F	ZONE	LTR	DESCRIPTION	DATE	APPROVED
✓			D	REDRAWN-REV PER G-1475, G-1175, P83-0051 & P83-0052	10/80	Perm
✓			E	OBSOLETE 2--3 PER G-4249	5/16/82	AG
✓			F	REV. PER Q3853 & 085-2-1 G 5712 & 2-2 G4249	12-1-82	GY
✓			G	REACTIVATED 2--1 PER G-5451	7/8/80	MSF/SS
✓			H	REV/G-018792	LO 8/92	ME JV

QUANTITY	DESCRIPTION	PART NO
100	ON TAPE, SM. BOX	32442
1000	ON TAPE, LG. BOX	32442
5000	ON TAPE, REEL	32442
—	LOOSE PIECE	32442

UNLESS OTHERWISE SPECIFIED DIMENSIONS ARE IN INCHES. TOLERANCES ON: DECIMALS ± .003 ANGLES ± .003

MATERIAL: PVC - BLUE
 BODY & SLEEVE: COPPER (GG-C-576)

FINISH: BODY- 3

CONTRACT NO: UTA / RFE 9-18-85

DR: UTA / RFE 9-18-85

CHK: P. M. T. / A. B. W. / 1/85

APPD: P. M. T. / A. B. W. / 1/85

DSGN APPD: [Signature]

OTHER APPD: [Signature]

NAME: AMP | AMP INCORPORATED, Harrisburg, Pa.

TERMINAL, P.I.D.G., RING TONGUE WIRE SIZE: 16-14

SIZE: B

FSCM NO: 00779

DRAWING NO: 32442

SCALE: N T S

SHEET: 1 OF 1