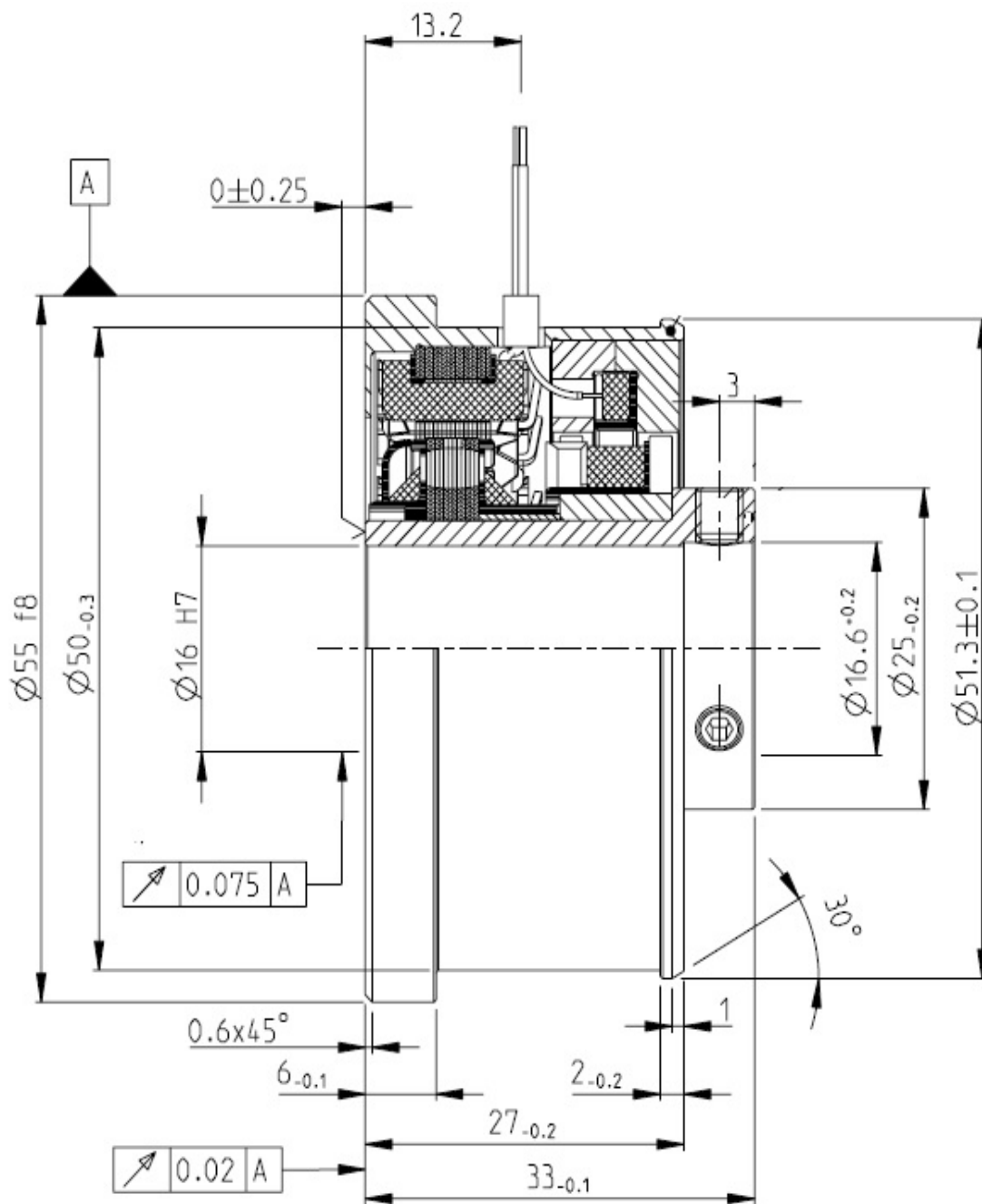


DATA SHEET - HOLLOW SHAFT RESOLVER

PN	3-1393048-1			
Description:	V23401	H9019-B901		
Size	21			
Shaft	B9			
Speed - pair of poles - [pp]	1			
Application Spec				
Test protocol	100% EOL testing, stored. Available up on request			
Electrical parameters (at 22°C):				
Input voltage nom. [V _{rms}]	7.0	Based on nominal Input voltage and Frequency	DC resistance R1R2 [Ω]	21
Frequency nom. [kHz]	7.0		R1R2 tolerance [±%]	10
Input current max [mA]	40		DC resistance S1S3 or S2S4 [Ω]	22
Transformation ratio rT [±]	0.45		S1S3 or S2S4 tolerance [±%]	10
Transf. ratio tolerance [%]	5			
Phase shift min [°]	-9			
Phase shift max [°]	1			
Angular Error max [']	20			
Residual voltage max [mV]	25			
Connect. Wire Lenght [mm]	470, AWG 26 Teflon Isolated			
High Voltage test	Voltage: 500 V _{AC} ± 3% (A)	Measured between:		
	250 V _{AC} ± 3% (B)	A: Winding R1-R2 and housing		
	Time: 1s	Winding S1-S3 and housing Winding S2-S4 and housing		
Isolation test	Voltage: 500 V _{DC} ± 5% (A, B)	B: Windings S1-S3 and S2-S4		
	Criterion: R _{isol.} > 50M Ohm			
"Zero" setting:	Ele. "0" is when Winding Us2-s4 = 0 and Us1-s3 are in phase with Ur1-r2			
Transformation function	Function applies to the clockwise rotation of the rotor when looking at the (grooveless) transformer component from the top			
	$U_{S1-S3} = + rT * U_{R1-R2} * \cos(pp * \varphi)$			
	$U_{S2-S4} = + rT * U_{R1-R2} * \sin(pp * \varphi)$			
Rotor Inertia	approx. 20 g/cm ²			
Max. Rotational Speed	20.000 rpm			
Shock resistance (11ms sine)	1000 m/s ²			
Vibration (0 ... 2 kHz)	200 m/s ²			
Operating temp.	-55°C...+150°C			



DATE	REV.	DWN	APP	LTR
2015-06-25	B	P. Lerchenfeld	D. Ondrej	1