

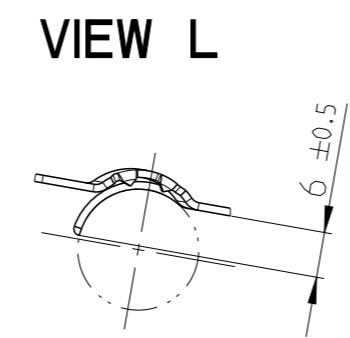
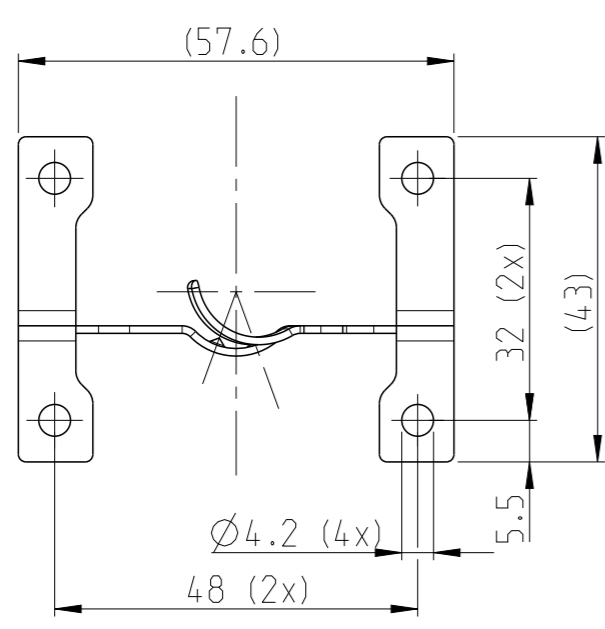
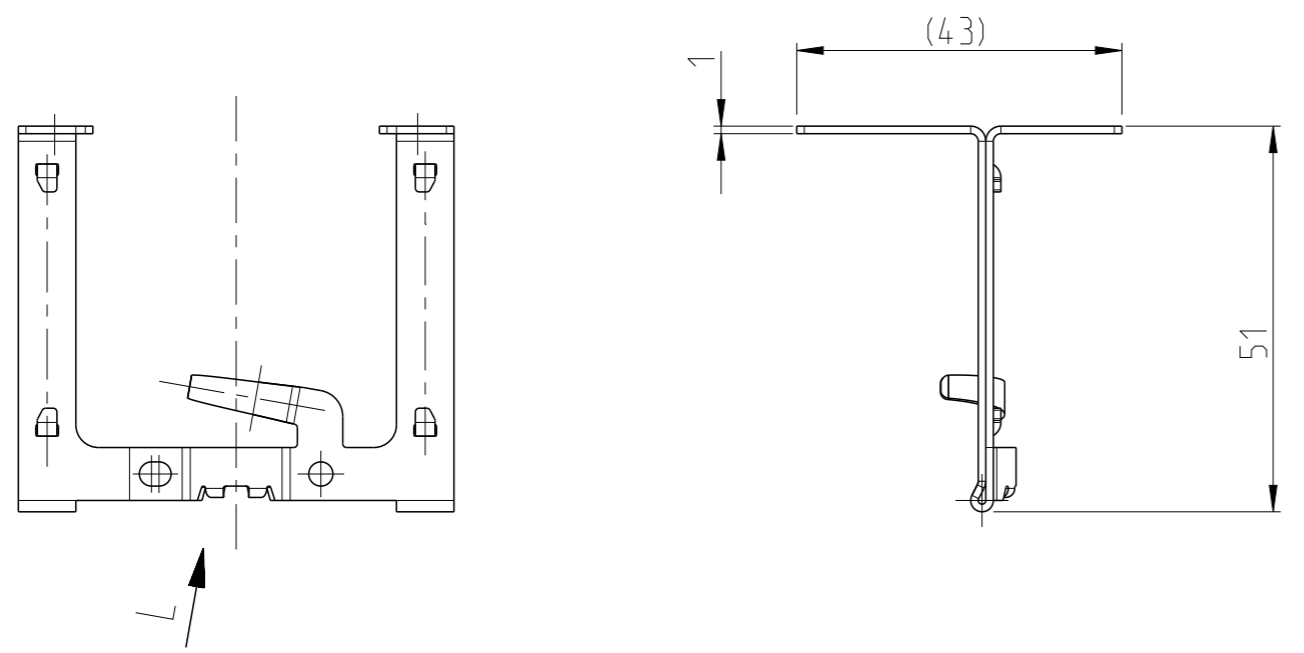
4

3

2

1

P	LTR	DESCRIPTION BESCHREIBUNG	DATE	DWN	APVD
	A1	DRAWING ACTIVATED	09JUN2016	ER	DO



1 PACKAGING: 100 PIECES PACKED IN A BAG.
10 BAGS PACKED IN A TE OR NEUTRAL PAPER BOX.

-1 AS SHOWN

TOLERANCING ISO 8015
GEOMETRIC TOLERANCING ISO 1101
SIZE ISO 14405
GENERAL TOLERANCES ISO 2768-K

2295891-1	SCREEN CLAMP, MOTORMAN SHROUD	PRE-TINNED	CuSn4
TE CONNECTIVITY ORDER NO.	DESCRIPTION	SURFACE	MATERIAL
		COLOUR	

DIESE ZEICHNUNG IST EIN KONTROLLIERTES DOKUMENT. BEMASSUNGEN UND TOLERANZEN GEMAESS GPS (ISO STANDARDS).														
THIS DRAWING IS A CONTROLLED DOCUMENT. DIMENSIONING AND TOLERANCING PER GPS (ISO STANDARDS).		DWN E.REISS 07OCT2015	 TE Connectivity											
DIMENSIONS: MASSEINHEITEN: MM		CHK KANG INGON 07OCT2015												
TOLERANCES UNLESS OTHERWISE SPECIFIED: ALLGEMEINTOLERANZEN		APVD ONDREJ DUSAN 07OCT2015												
<table border="1" style="width:100%; border-collapse: collapse;"> <tr><td>0 PLC</td><td>±0.2</td></tr> <tr><td>1 PLC</td><td>±0.2</td></tr> <tr><td>2 PLC</td><td>±0.2</td></tr> <tr><td>3 PLC</td><td>±</td></tr> <tr><td>4 PLC</td><td>±</td></tr> <tr><td>ANGLES/WINKEL</td><td>±2°</td></tr> </table>		0 PLC		±0.2	1 PLC	±0.2	2 PLC	±0.2	3 PLC	±	4 PLC	±	ANGLES/WINKEL	±2°
0 PLC	±0.2													
1 PLC	±0.2													
2 PLC	±0.2													
3 PLC	±													
4 PLC	±													
ANGLES/WINKEL	±2°													
MATERIAL	FINISH/OBERFLAECHE/FARBE	PRODUCT SPEC PRODUKTSPEZ.	RESTRICTED TO NUR FUER											
-	-	APPLICATION SPEC VERARBEITUNGSSPEZ.	-											
-	-	WEIGHT GEWICHT	-											
		22.8g	-											
		SIZE A3	CAGE CODE 00779											
		DRAWING NO. ZEICHNUNGS-NR.	G=2295891											
		Customer Drawing	/KUNDENZEICHNUNG											
		SCALE MASSSTAB	1:1											
		SHEET BLATT	1 OF 1 VON 1											
		REV	A1											