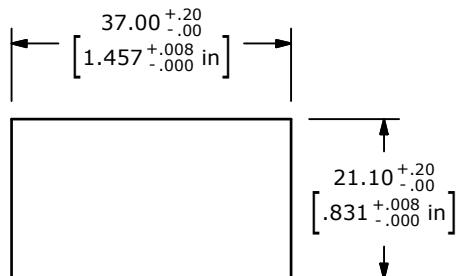
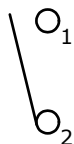


| ▲ SWITCH FUNCTION | | |
|-------------------|--------|--------|
| POS. 1 | POS. 2 | POS. 3 |
| | | |
| ON | N/A | OFF |
| 1-2 | N/A | NONE |



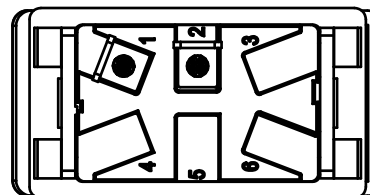
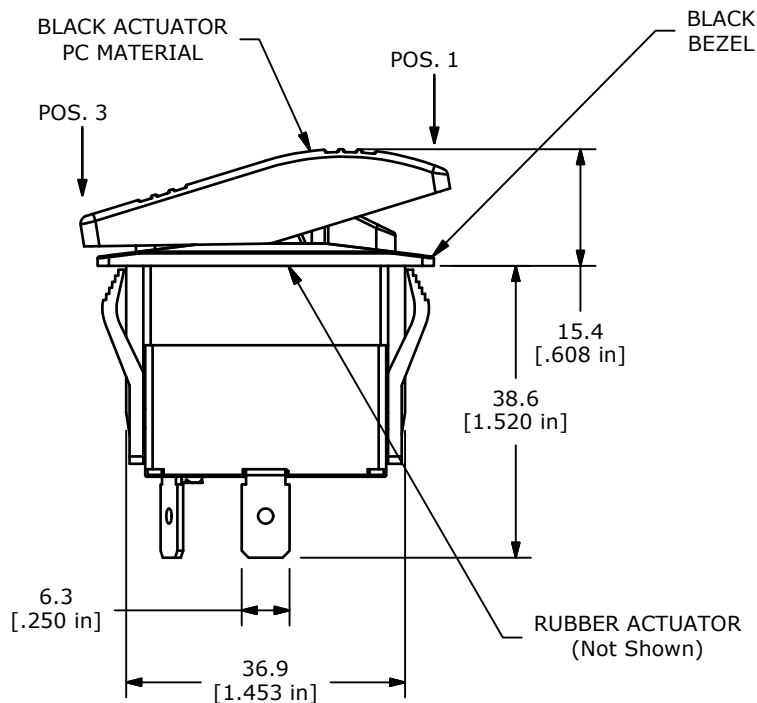
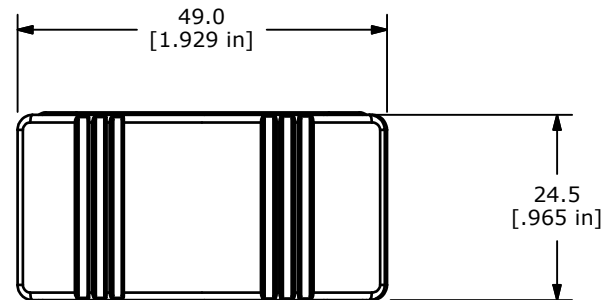
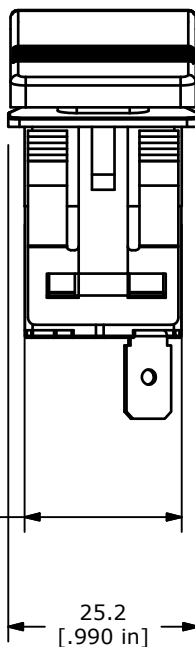
RECOMMENDED
PANEL CUT-OUT



CIRCUIT: SPST
ON - OFF

NOTES:

1. ALL DIMENSIONS IN MM [INCH]
2. GENERAL TOLERANCE: X.X=±0.4
X.XX=±0.25
3. TERM. NOS. FOR REF. ONLY
4. RATING: 20(8)A @125/250VAC 50/60 Hz, μT55
UL LISTED
5. ELECTRICAL LIFE: 10,000 CYCLES
6. MECHANICAL LIFE: 30,000 CYCLES
7. CONTACT RESISTANCE: <20 MILLI-OHMS INITIAL
8. DIELECTRIC STRENGTH: >1,500V AC 1MIN
9. INSULATION RESISTANCE: >100 MOHMS @ 500VDC
10. OPERATING TEMP: 0°C to 55°C
11. LED VOLTAGE: NONE
12. ▲ DENOTES CRITICAL PARAMETER.
13. 2002/95/EC (ROHS) COMPLIANT



| | | | | |
|-----|--------|-----------------|---------|----|
| B | 21355 | Drawing Cleanup | 1/15/14 | rc |
| A | 21252 | New Release | 8/14/13 | rc |
| REV | PCR NO | DESCRIPTION | DATE | BY |

| | | | | |
|--------------------------|----------------|-------|-------------|-------|
| TITLE R711FC1-SXXXNBBNNX | | | | |
| SCALE 1:1 | DATE 8/14/2013 | DR rc | DWG C700002 | REV B |

THE INFORMATION CONTAINED IN THIS DOCUMENT IS PROPRIETARY TO E-SWITCH AND IS NOT TO BE COPIED OR TRANSFERRED