

Customer Information Sheet

DRAWING No.: M80-4C100F2-40-327

SHEET 2 OF 2

IF IN DOUBT - ASK

©

NOT TO SCALE

THIRD ANGLE PROJECTION

ALL DIMENSIONS IN mm

SPECIFICATIONS:

MATERIAL:
 Moulding = GLASS-FILLED PPS, UL94V-0, BLACK
 JACKSCREW = STAINLESS STEEL

POWER CONTACT:
 BODY = COPPER ALLOY
 LATCHING COLLAR = BERYLLIUM COPPER

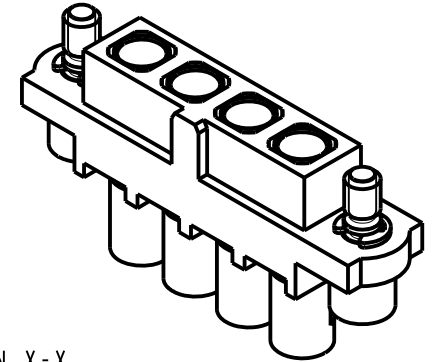
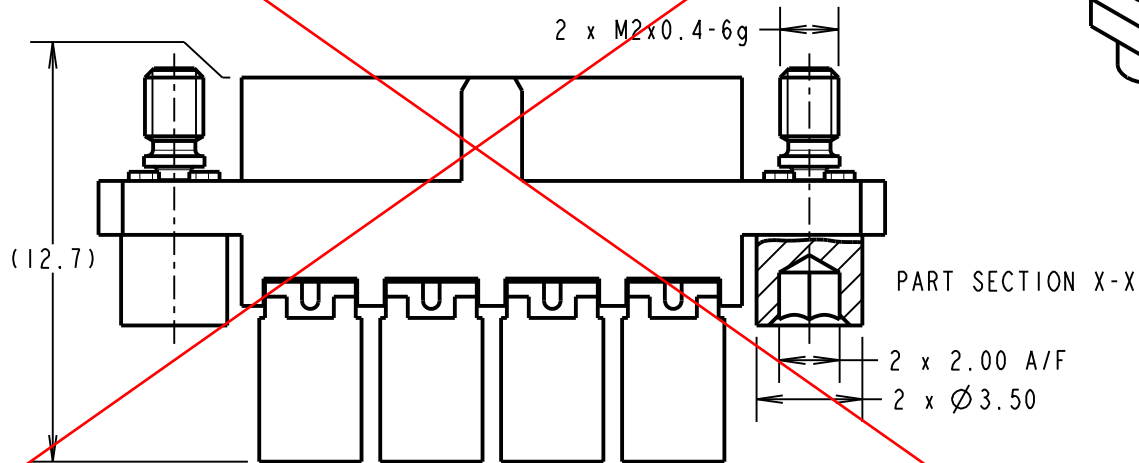
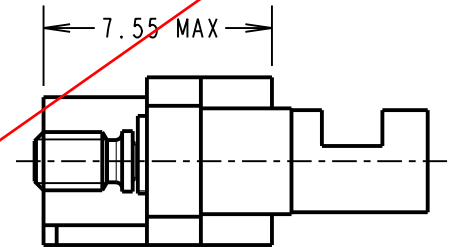
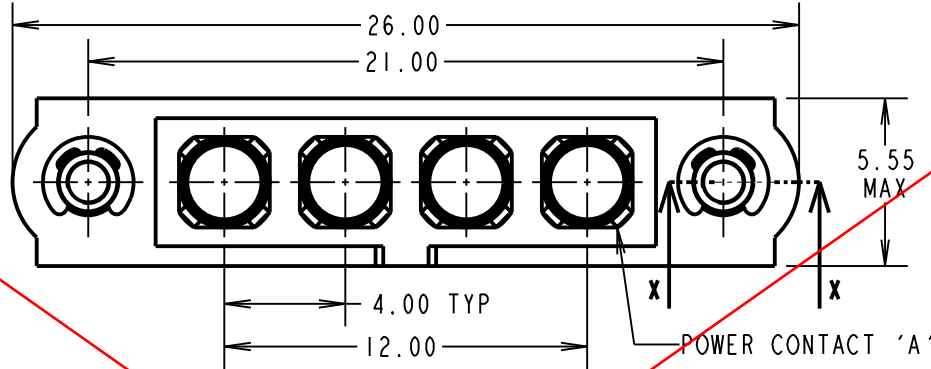
FINISH:
 POWER CONTACT:
 BODY = GOLD
 LATCHING COLLAR = NICKEL

ELECTRICAL:
 POWER CONTACT:
 CURRENT RATING = 10A MAX WITH
 16 AWG CONTACT AS SPECIFIED
 CONTACT RESISTANCE = 6 mΩ MAX
 WORKING VOLTAGE = 120V AC/DC
 VOLTAGE PROOF = 360V AC/DC
 INSULATION RESISTANCE = 100 MΩ MIN

MECHANICAL:
 DURABILITY = 500 OPERATIONS
 POWER CONTACT:
 INSERTION FORCE = 5N MAX
 WITHDRAWAL FORCE = 0.5N MIN

ENVIRONMENTAL:
 TEMPERATURE RANGE = -55°C TO +125°C

PACKING:
 BAG
 FOR COMPLETE SPECIFICATION, SEE
 COMPONENT SPECIFICATION C005XX
 (LATEST ISSUE)



OBSOLETE

NOTES:

- CONNECTORS ARE SUPPLIED AS KIT OF PARTS:
 Moulding ASSEMBLED WITH JACKSCREWS PLUS
 SEPARATE POWER CONTACTS.
- FOR EXTRA POWER CONTACTS USE PART NUMBER M80-327.
- POWER CONTACT WIRE, STRIP BY 5.00mm MINIMUM.
- INSTRUCTION SHEETS ARE AVAILABLE.

SM	1	25.08.10	10806
NAME	ISS.	DATE	C/NOTE
APPROVED: S. MCCULLAGH			
CHECKED: R. ADDE			
DRAWN: MARK G PLESTED			
CUSTOMER REF.:			
ASSEMBLY DRG:			

HARWIN

HARWIN USA
 TEL: 603 893 5376
 FAX: 603 893 5396
 mis@harwin.com

HARWIN Europe (UK)
 TEL: 023 9231 4545
 FAX: 023 9231 4590
 mis@harwin.co.uk

HARWIN Asia
 TEL: +65 6 779 4909
 FAX: +65 6 779 3868
 mis@harwin.com.sg

THIS DRAWING AND ANY
 INFORMATION OR DESCRIPTIVE
 MATTER SET OUT HEREON ARE
 CONFIDENTIAL AND COPYRIGHT
 PROPERTY OF THE HARWIN
 GROUP AND MUST NOT BE
 DISCLOSED, LOANED, COPIED
 OR USED FOR MANUFACTURING,
 TENDERING OR FOR ANY
 OTHER PURPOSE WITHOUT
 THEIR WRITTEN PERMISSION.

TOLERANCES
 X. = ±1mm
 X.X = ±0.25mm
 X.XX = ±0.10mm
 X.XXX = ±0.01mm
 ANGLES = ±5°
 UNLESS STATED

MATERIAL:
 SEE ABOVE

FINISH: SEE ABOVE

S/AREA: mm²

TITLE: JACKSCREW DATAMATE
 MIXED TECHNOLOGY STRAIGHT
 FEMALE ASSEMBLY

DRAWING NUMBER:
M80-4C100F2-40-327

SHT
 2 OF 2