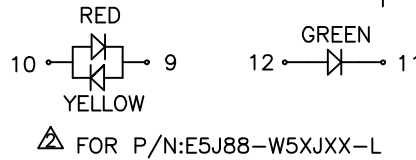
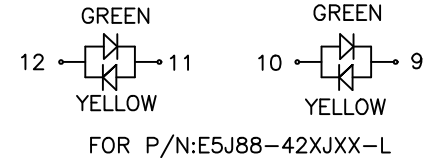
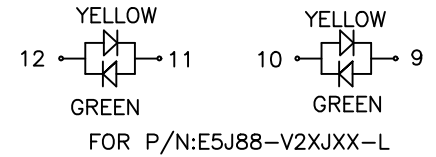
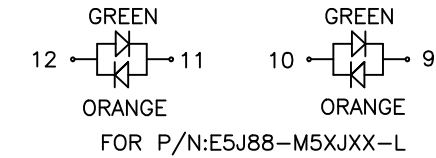
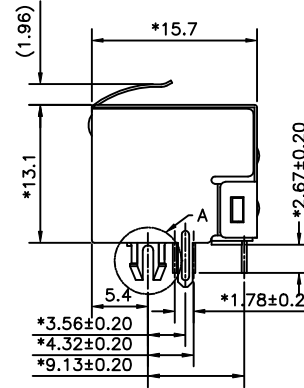
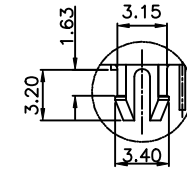
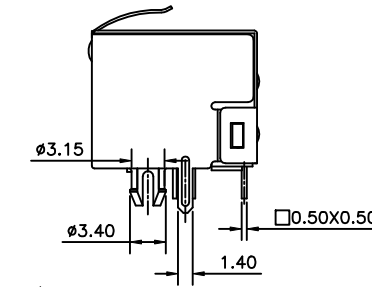
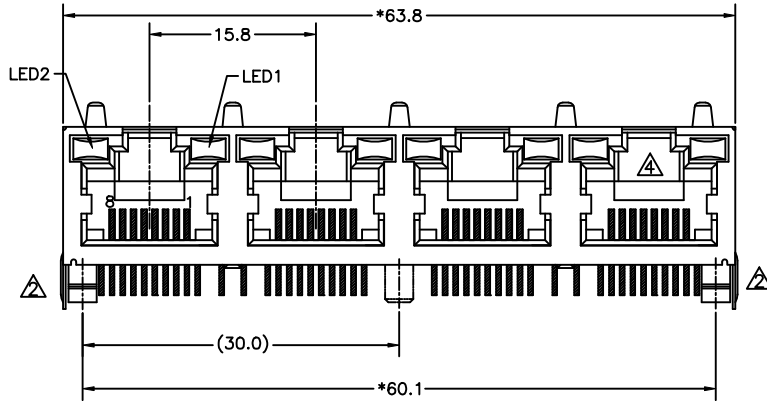
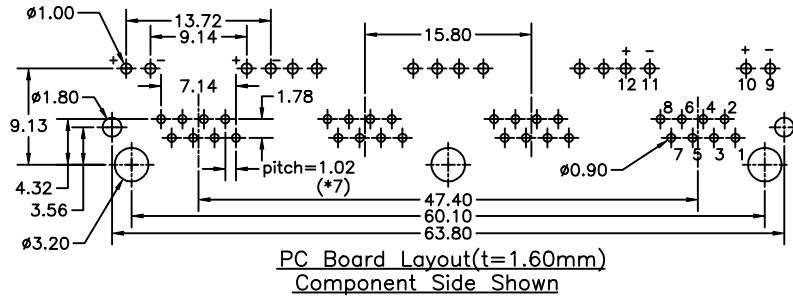


REVISION RECORD				
REV	ECO	DESCRIPTION	DRFT	CHKD
▲		ADD P/N	YANGLAN 07/14/05*	
▲		ADD P/N	YANGLAN 08/04/05*	
▲		Erase Logo	JIE 08/29/05*	
▲		Erase Logo	YANGLAN 10/31/05*	



PART NUMBER: E 5 J 8 8 - X X X X X X X-L

- NOTES:**
- ELECTRICAL:**
- VOLTAGE RATING : 125 VAC RMS.
  - CURRENT RATING : 1.5 AMP.
  - CONTACT RESISTANCE : 30 MILLIOHMS MAX.
  - INSULATION RESISTANCE: 1000 MEGOHMS MIN @ 500 VDC.
  - DIELECTRIC STRENGTH : 1000 VAC RMS 60Hz, 1MIN.
  - LED RATINGS: FORWARD VOLTAGE: 2.2 VOLTS TYPICAL. REVERSE VOLTAGE: 5 VOLTS MAXIMUM
  - OPERATING: 750 CYCLES MIN.
- MECHANICAL:**
- HOUSING MATERIAL : FR52 UL94V-0. COLOR-BLACK.
  - INSERT MATERIAL : FR52 UL94V-0. COLOR-BLACK.
  - BACK PLATE MATERIAL : FR52 COLOR-BLACK.
  - LED SIZE : 3.2\*2.0\*7.0\*P=2.54mm.
  - SHIELD MATERIAL : COPPER ALLOY 0.25mm THICKNESS PLATING NI.
  - CONTACT MATERIAL : PHOSPHOR BRONZE 0.35mm THICKNESS OR Ø0.46mm.
  - PLATING : GOLD PLATING OVER NICKEL.
  - PCB RETENTION PRE-SOLDER : 1 LB MIN.
  - PCB RETENTION POST-SOLDER: 10 LBS MIN.
- ENVIRONMENTAL:**
- STORAGE : -40°C TO +85°C.
  - OPERATION: -40°C TO +85°C.
  - SOLDERING TEMPERATURE: 255~265°C 5~10SECONDS.
- MATES WITH MODULAR PLUG CONFORMING TO FCC PART 68, SUBPART F. UL FILE No:E163191

M5-LED1&LED2:G+O TOP TABS LEFT&RIGHT NO TABS SHIELD  
V2-LED1&LED2:Y+G TOP TABS LEFT&RIGHT NO TABS SHIELD  
22-LED1& LED2:GREEN TOP TABS SHIELD  
32-LED1:YELLOW LED2:GREEN TOP TABS SHIELD  
42-LED1& LED2:G+Y TOP TABS SHIELD  
W5-LED1 R+Y& LED2: GREEN NO TAB SHIELD

PLATING: 1-3u" 2-6u" 3-15u" 4-30u" 5-50u"

1-PLATE Tin SHIELD,STAMP PIN,LED LONG 7.00  
2-PLATE Ni SHIELD,STAMP PIN,LED LONG 7.00  
3-PLATE Tin SHIELD,ROUND PIN,LED LONG 7.00  
4-PLATE Ni SHIELD,ROUND PIN,LED LONG 7.00

S-4 PORTS,W/O MIDDLE POLE&SHIELD W/O BEHIND LEG.  
H-4 PORTS,SHIELD W/O BEHIND LEG.

MM (INCH)		DFTO YANGLAN DATE 07/04/05*	FULL RISE ELECTRONIC CO., LTD	
TOLERANCES EXCEPT AS NOTED		CHKDASHLELLY DATE 2005/11/3		
MFO		DATE	TITLE	
APPV LUSHENG DATE 2005/11/3		DATE		
MATERIAL :		RJ45 SIDE ENTRY LED GANG JACK 4 PORTS		
MATERIAL :				
ANGLES ±		QTY :	DRAWING NO. GE5J3202-LA SIZE REV A3 4	
FINISH :		/PART NO. SEE NOTE		
THIRD ANGLE PROJECTION		SCALE : 2:1	DO NOT SCALE DRAWING SHEET X OF Y	