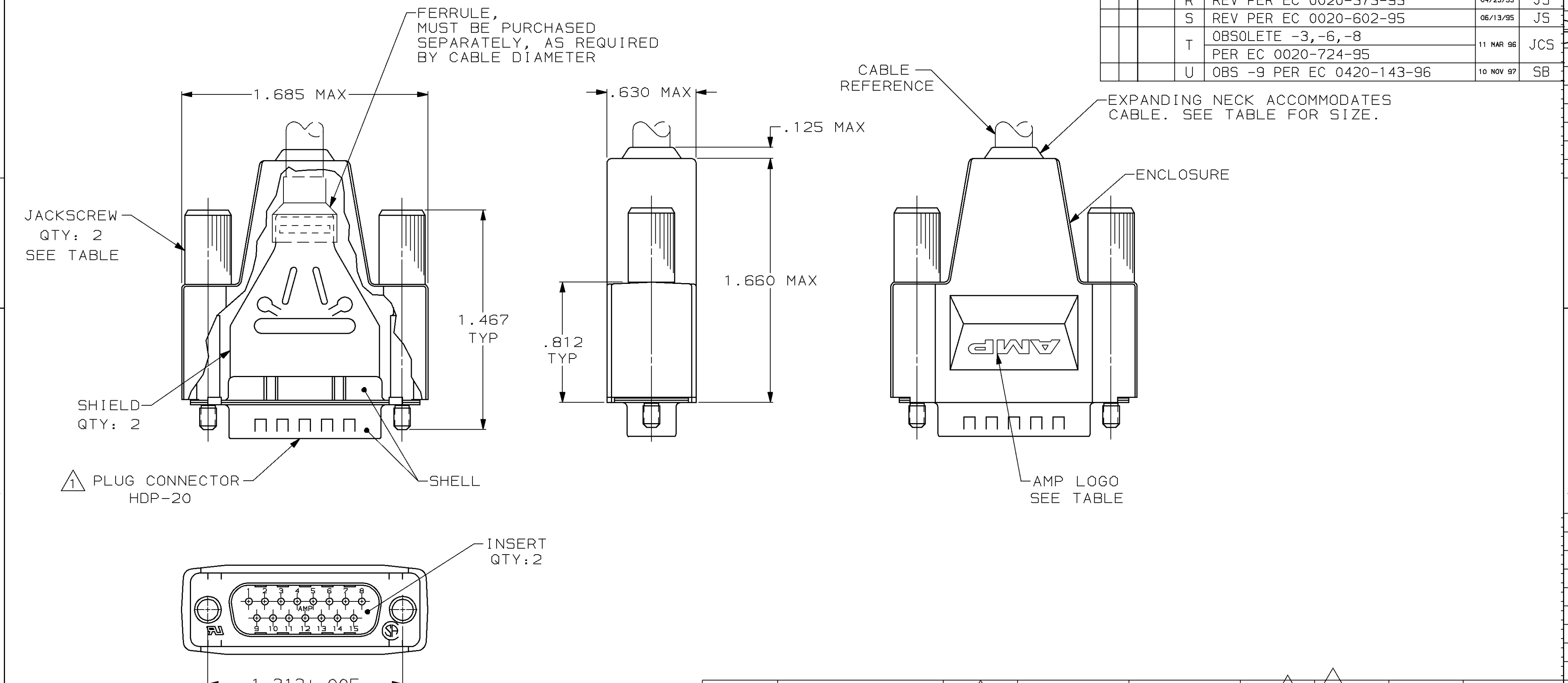


THIS DRAWING IS UNPUBLISHED. RELEASED FOR PUBLICATION  
 © COPYRIGHT 19 BY AMP INCORPORATED. ALL INTERNATIONAL RIGHTS RESERVED.

LOC	DIST	P	F	REVISIONS				
				ZONE	LTR	DESCRIPTION	DATE	APPD
BD	48				M	REVISED PER ECN BD6133	04/02/92	TMS
					N	OBS -2 & -7 PER EC 0020-1514-93	04/15/94	LF
					P	ADDED -9 PER EC 0020-40-95	01/18/95	JS
					R	REV PER EC 0020-373-95	04/25/95	JS
					S	REV PER EC 0020-602-95	06/13/95	JS
					T	OBSOLETE -3, -6, -8 PER EC 0020-724-95	11 MAR 96	JCS
					U	OBS -9 PER EC 0420-143-96	10 NOV 97	SB



- 1 PLUG ACCEPTS SIZE 20 DF PIN CONTACTS. CONTACTS MUST BE PURCHASED SEPARATELY.
- 2. ALL PARTS SHIPPED UNASSEMBLED.
- 3 FLAME RETARDANT 94V-0 RATED, STYRENE POLYOLEFIN OR PVC, COLOR: BLACK.
- 4 FLAME RETARDANT 94V-0 RATED, GLASS FILLED NYLON OR POLYESTER, COLOR: BLACK.
- 5 STEEL PER ASTM A109.
- 6 TIN PLATING PER MIL-T-10727.
- 7 BODY: BLACK ELECTROLESS NICKEL PER QQ-N-290.
- 8 COMPONENTS INDIVIDUALLY BULK PACKED.
- 9 INDIVIDUAL KIT PACKAGING OF COMPONENTS.
- 10 ZINC ALLOY.
- 11 BODY: CARBON STEEL PER ASTM A 108. HEAD: PVC 94V-0 RATED, BLACK.
- 12 PHOS-E COATING, BLACK.

OBSOLETE	.190-.375 DIA	8	YES	4-40 UNC-2A	7	11	YES	747954-9
OBSOLETE	.250-.425 DIA	8	YES	#4-40	12	10	YES	747954-8
OBSOLETE	.190-.375 DIA	8	YES	-	-	-	NO	747954-7
OBSOLETE	.190-.375 DIA	8	YES	M2.6X0.45	12	10	YES	747954-6
OBSOLETE	.190-.375 DIA	9	YES	#4-40	12	10	YES	747954-5
OBSOLETE	.190-.375 DIA	8	NO	-	-	-	NO	747954-4
OBSOLETE	.190-.375 DIA	8	NO	-	-	-	YES	747954-3
OBSOLETE	.190-.375 DIA	8	YES	#4-40	12	10	NO	747954-2
OBSOLETE	.190-.375 DIA	8	YES	#4-40	12	10	YES	747954-1

CABLE SIZE	PACKAGING	ENCLOSURE WITH MOUNTING HOLES	JACKSCREWS	JACKSCREWS FINISH	JACKSCREWS MATERIAL	WITH LOGO	PART NO	
DO NOT SCALE PRINT. UNLESS SPECIFIED DIMENSIONS IN INCHES TOLERANCES ON:		DR 3-28-89 C. RICHARD	AMP INCORPORATED Harrisburg, Pa. 17105					SHIELDING ENCLOSURE KIT, UNASSEMBLED, PLUG, SIZE 2, 15 POSITION, AMPLIMITE® HDP-20
2 PLC DEC ± .020		CHK 3-28-89 R. STONE						
3 PLC DEC ± .020		APPD 3-29-89 R. WHYNE						
ANGLES ± .020		APPD 3-29-89 J. SHOWERS						
MATERIAL		PRODUCT SPEC	108-40030	SIZE	FSCM NO	DRAWING NO	747954	
INSERTS: 4		APPLICATION SPEC	108-40009	C	00779	SCALE		
ENCLOSURE: 3		WEIGHT	-	2:1	SHEET	1 OF 1		
JACKSCREWS: SEE TABLE								
SHIELDS & SHELLS: 6								
JACKSCREWS: SEE TABLE								