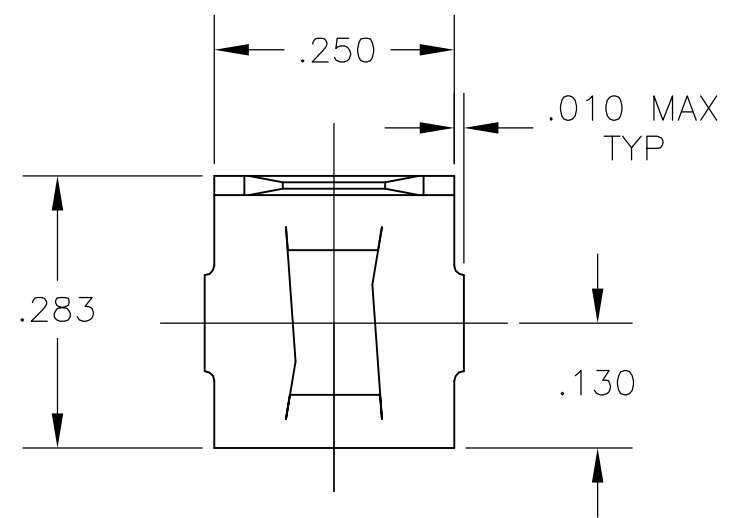
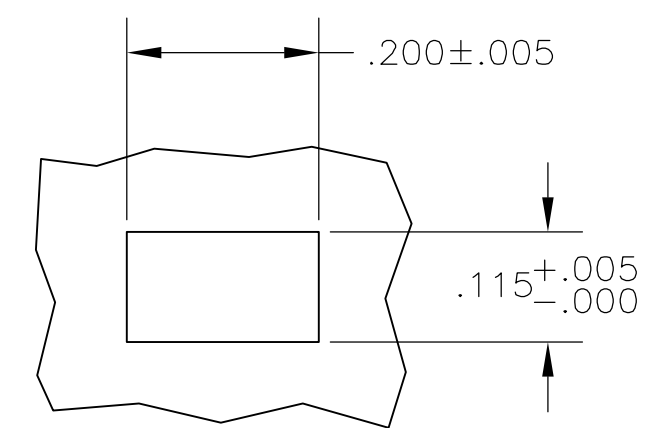
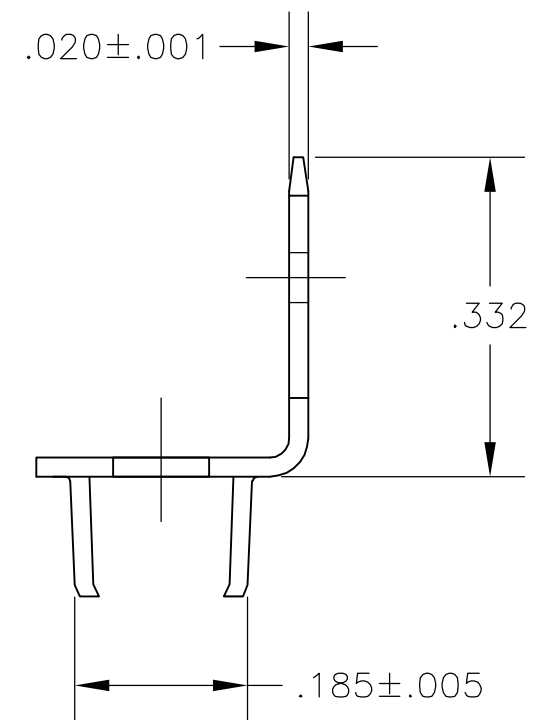
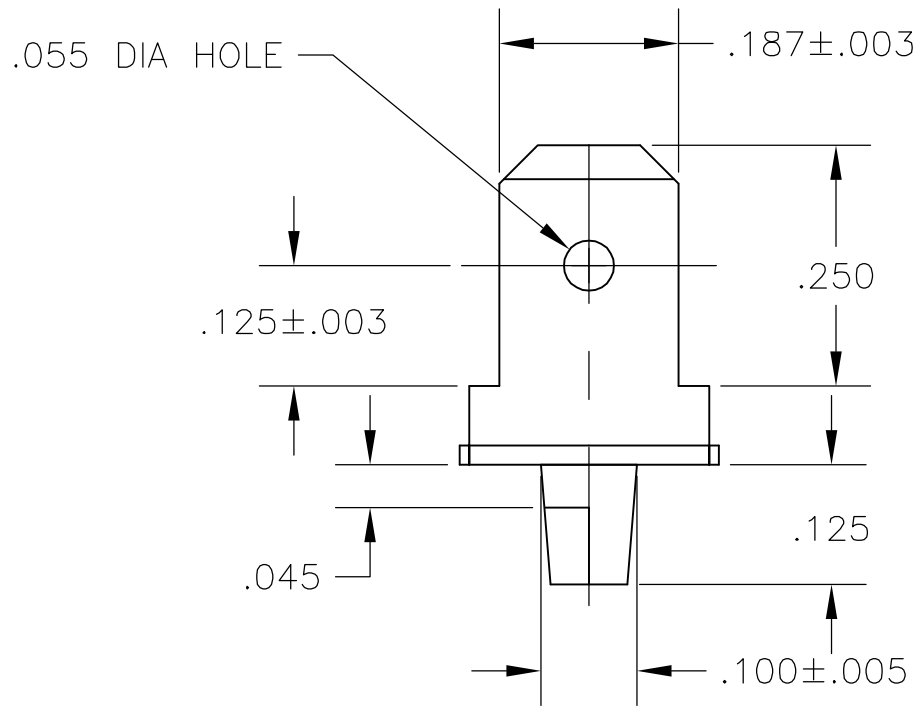


THIS DRAWING IS UNPUBLISHED. RELEASED FOR PUBLICATION
 © COPYRIGHT BY TYCO ELECTRONICS CORPORATION. ALL RIGHTS RESERVED.

LOC	DIST	REVISIONS			
P	LTR	DESCRIPTION	DATE	DWN	APVD
AF	50	A	DRAWN	17FEB06	JR PD



1 SUPPLIED IN LOOSE PIECE
 2 .000150 MIN PRE-TIN PLATE OVER
 .000100 MIN COPPER.



REQUIRED HOLE SIZE FOR STAKING INTO A .055 THICK BOARD

62747-1
 PART NO.

THIS DRAWING IS A CONTROLLED DOCUMENT.		DWN JR RUTH 17FEB06	Tyco Electronics Corporation Harrisburg, PA 17105-3608				
DIMENSIONS: INCHES		CHK P DESANTIS 17FEB06					
TOLERANCES UNLESS OTHERWISE SPECIFIED:		APVD P DESANTIS 17FEB06	NAME TAB, STAKE .187 SERIES				
0 PLC ± - 1 PLC ± - 2 PLC ± - 3 PLC ± .015 4 PLC ± - ANGLES ± -		PRODUCT SPEC -	APPLICATION SPEC 114-2115				
MATERIAL 081 BRASS		FINISH - 2	WEIGHT -	SIZE A3	CAGE CODE 00779	DRAWING NO C-62747	RESTRICTED TO -
CUSTOMER DRAWING			SCALE 5:1	SHEET 1 OF 1	REV A		