

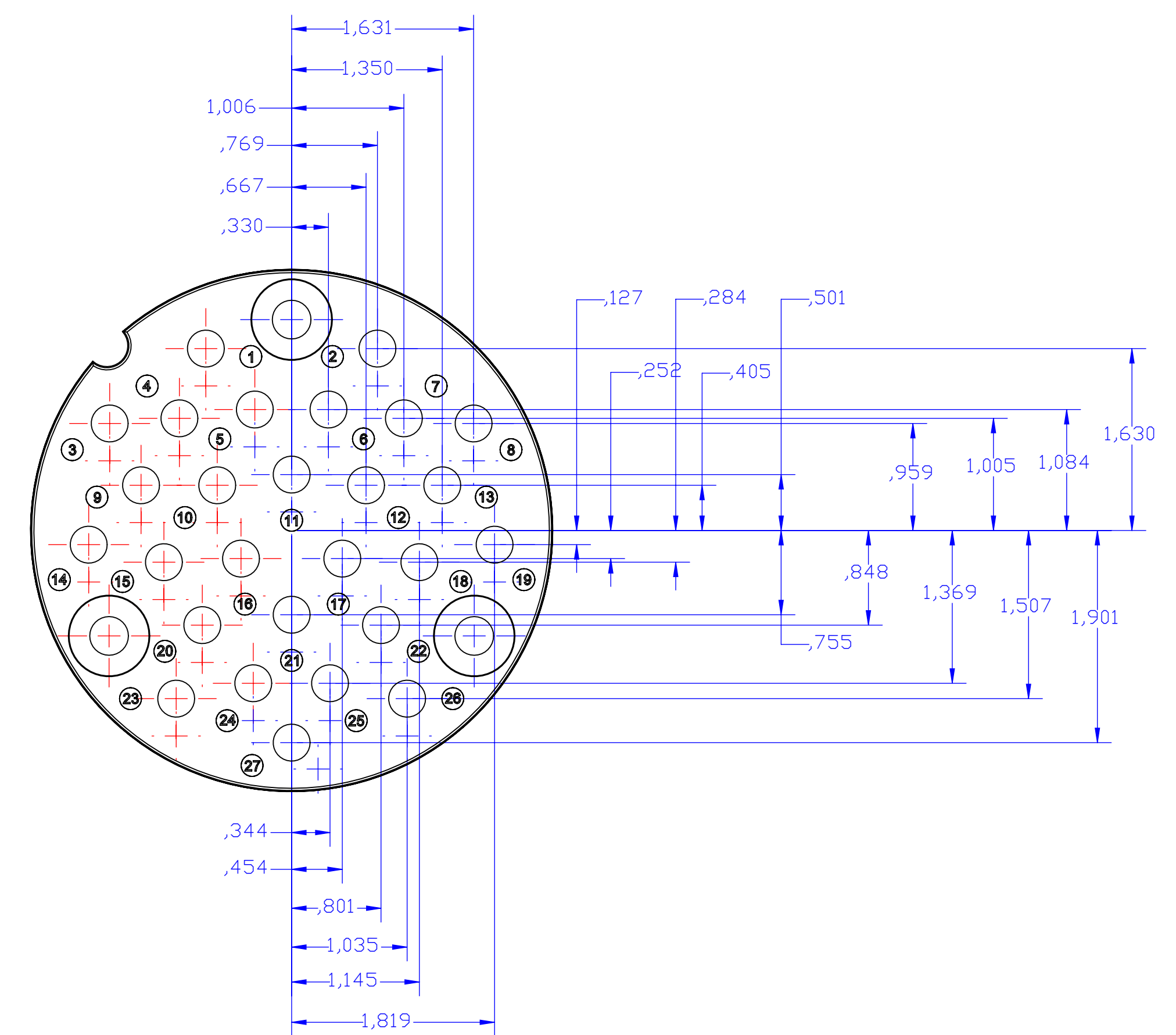
Vue isométrique - Echelle 1:2
Isometric view - Scale 1:2



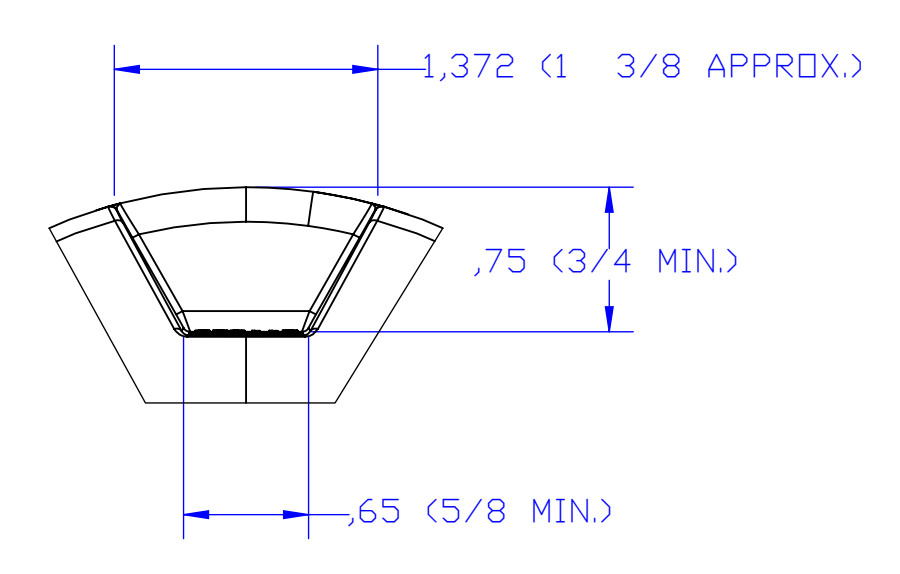
Vue isométrique - Echelle 1:2
Isometric view - Scale 1:2



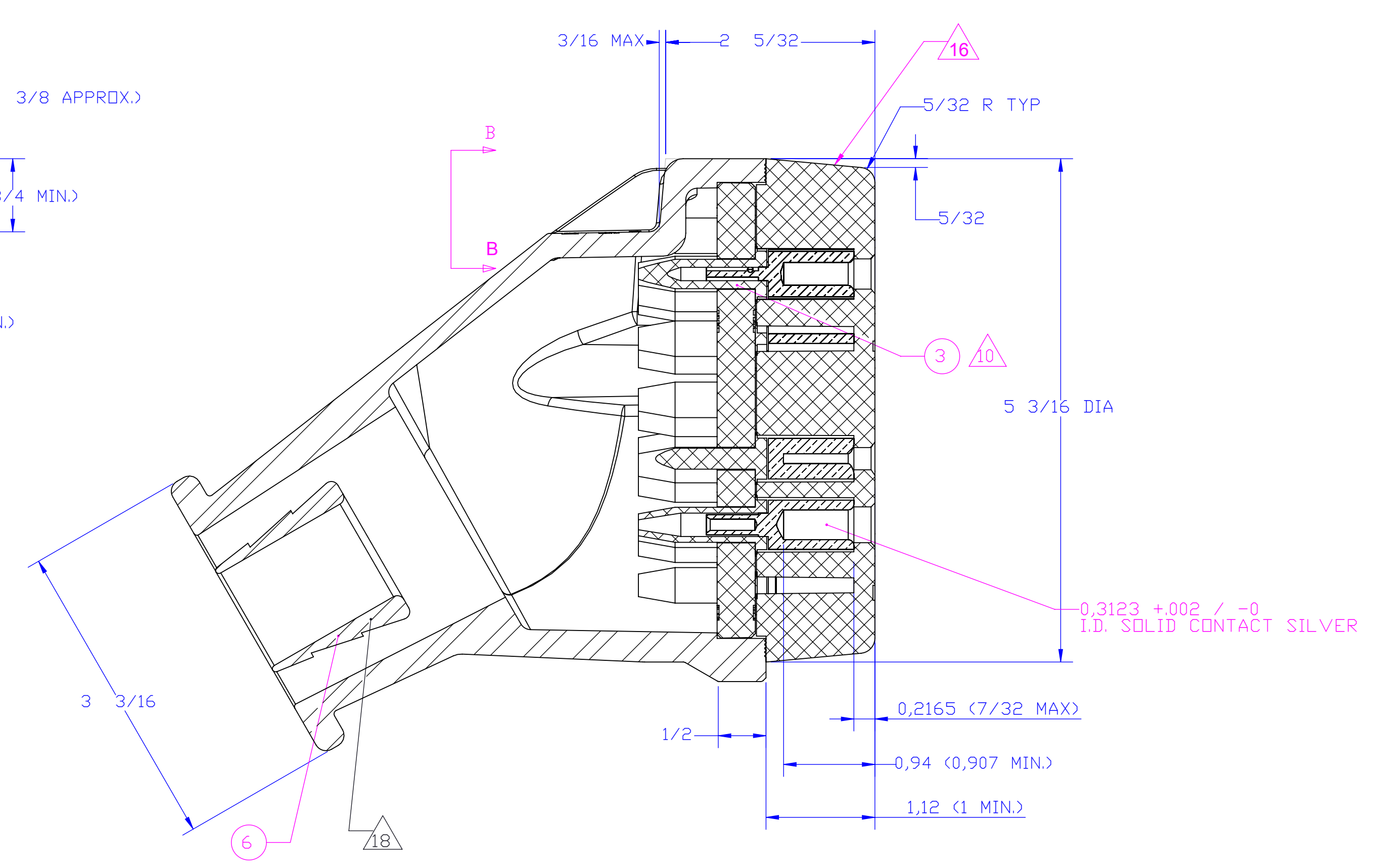
INSULATOR VIEW
SCALE 1:1



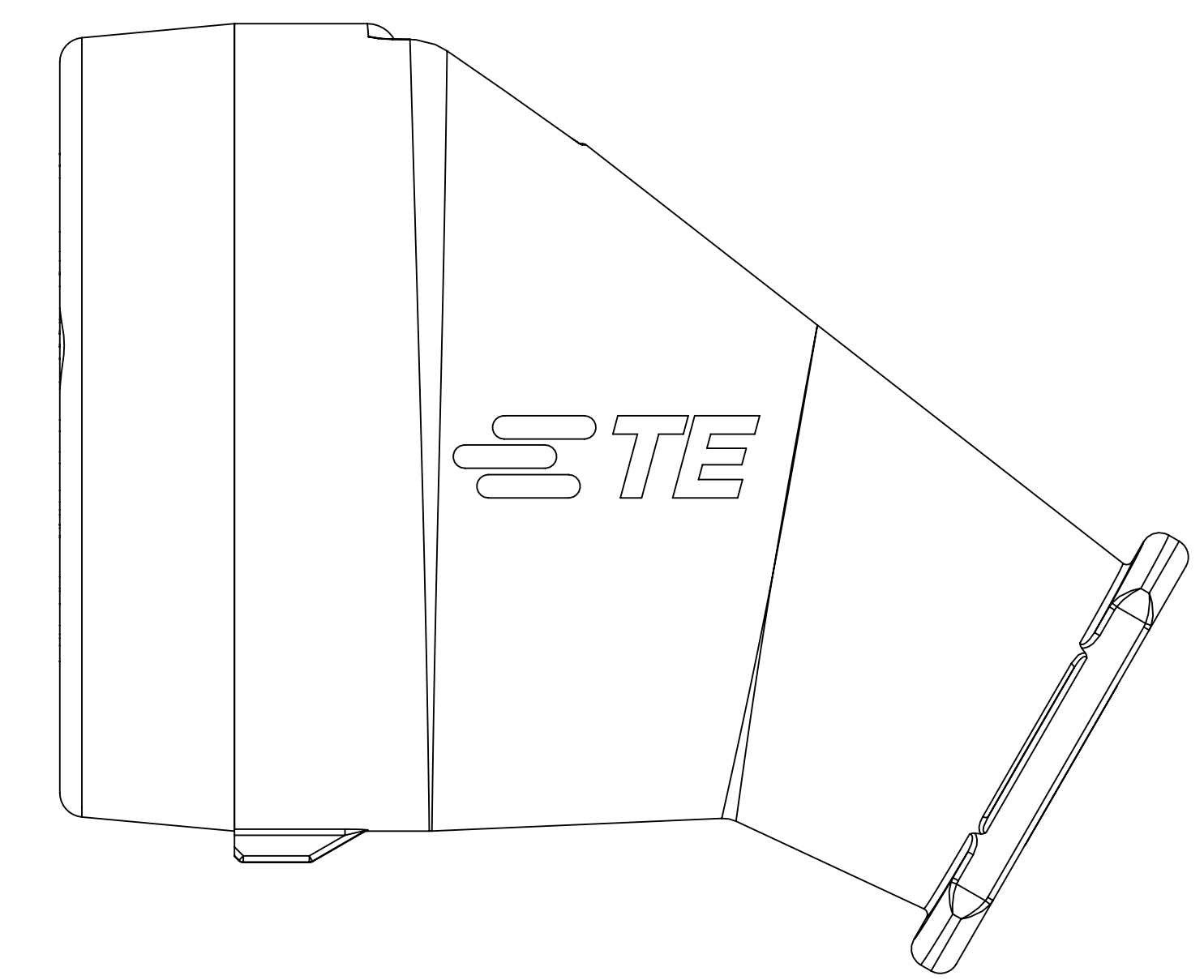
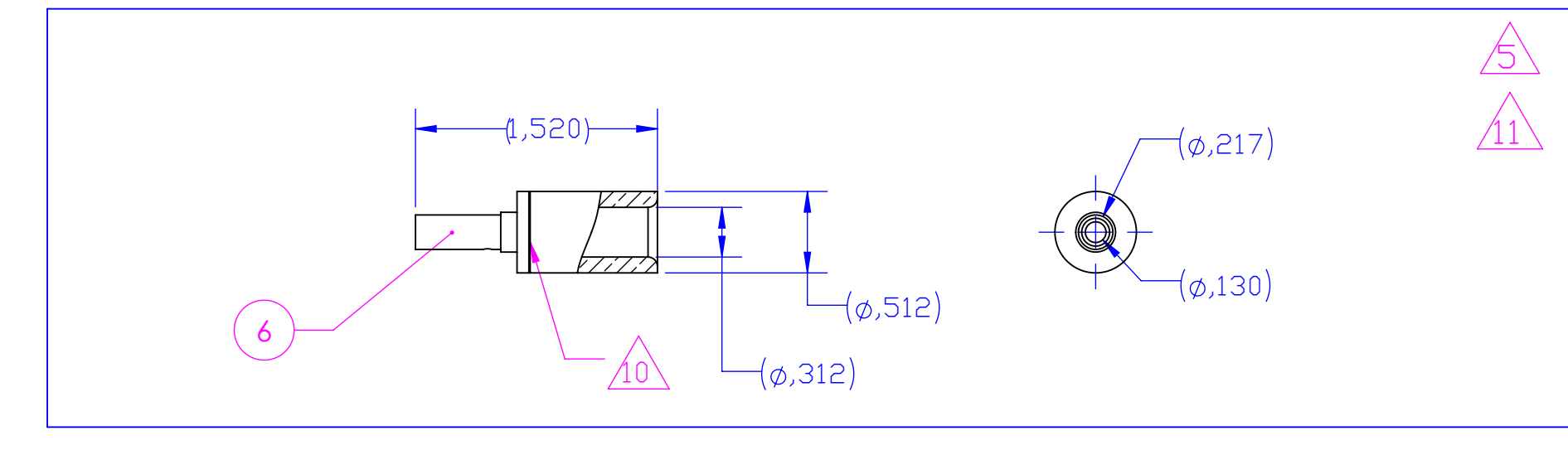
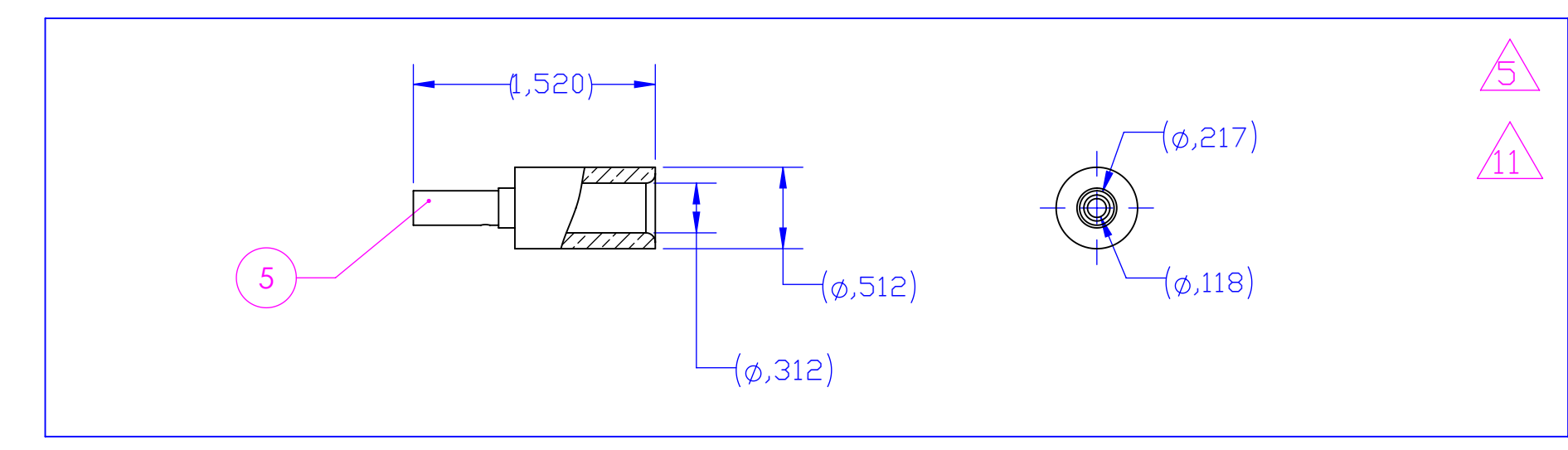
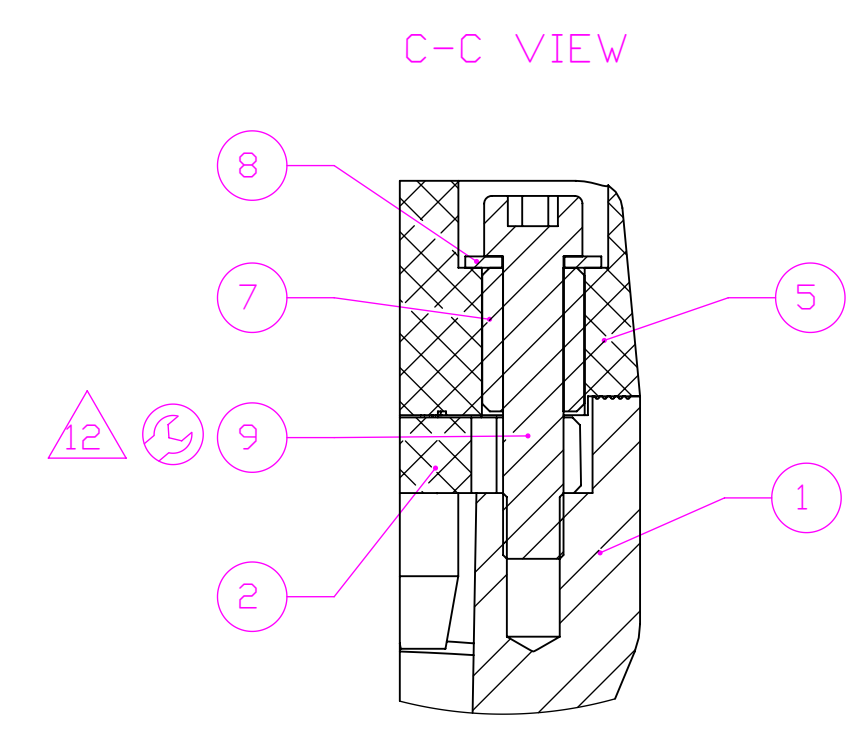
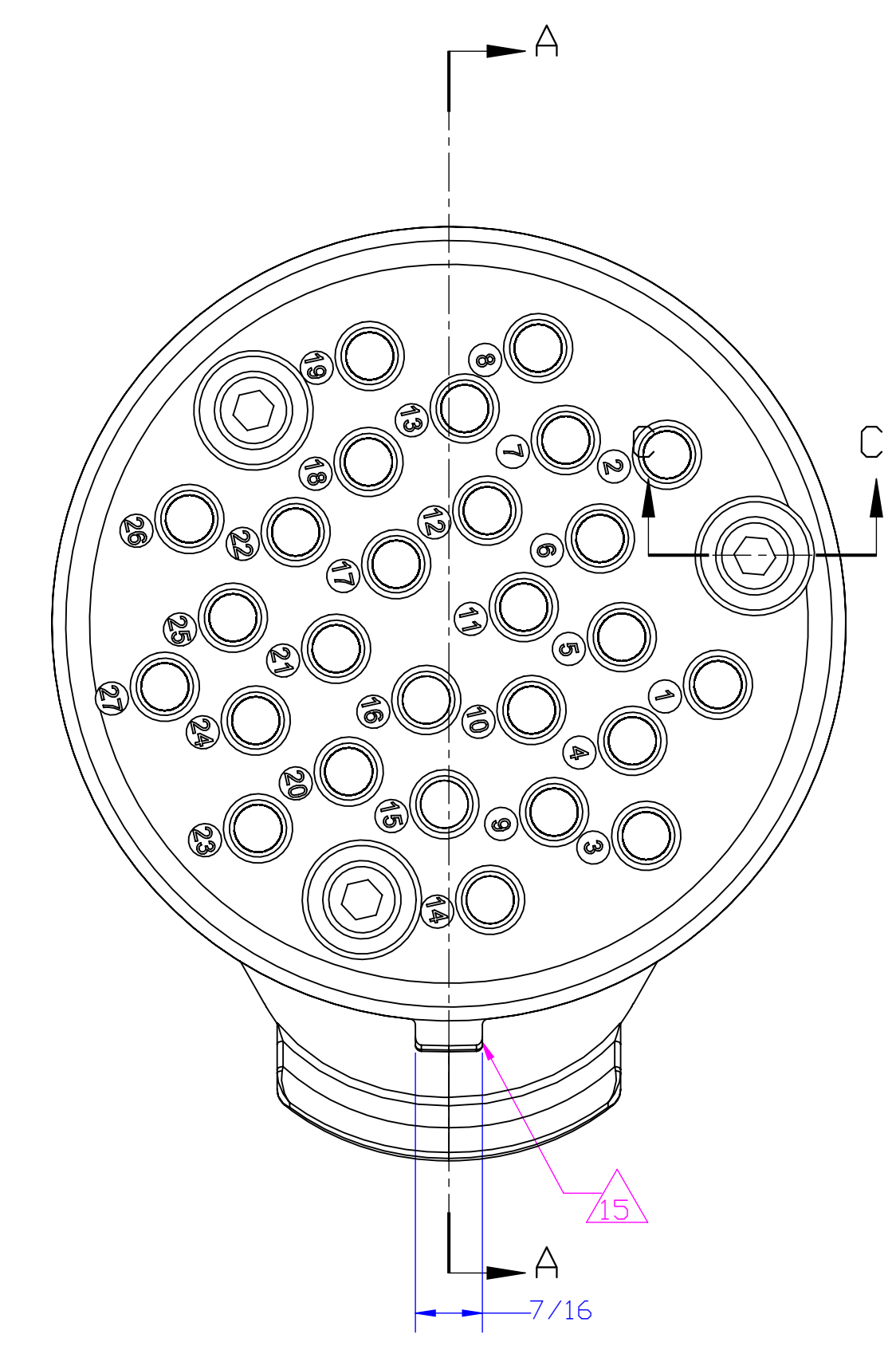
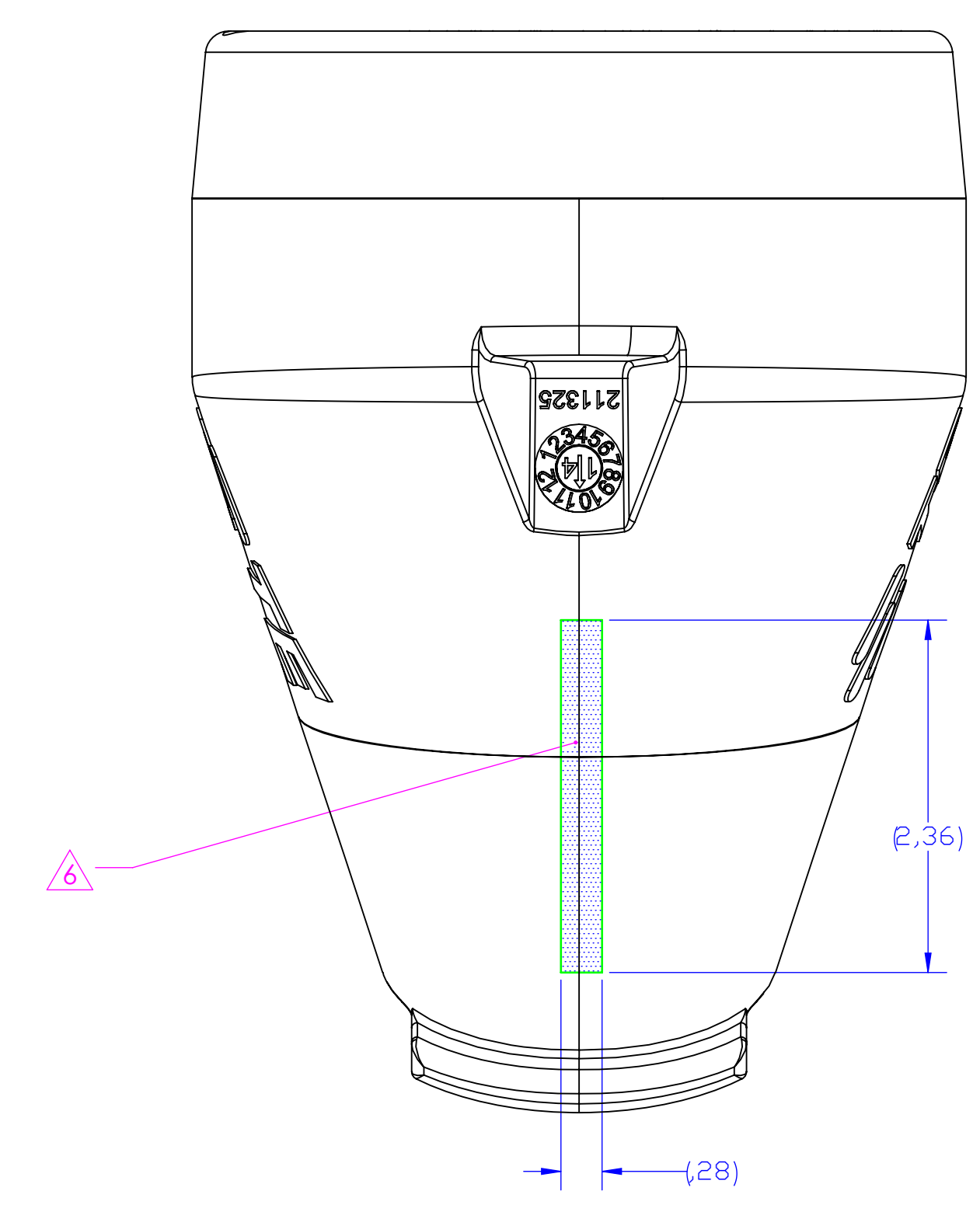
VIEW B-B



A-A VIEW



QTY	DESCRIPTION	UNIT	REF	REVISION	DATE	BY	APP
1	Instruction de montage / Mounting instruction						
1	Sachet déshydratant / Drying bag						
1	Boîte en carton / Carton box						
3	Vis CHC / Screw CHC						
3	Rondelle plate / Plain washer						
3	Entretourne / Spacer						
1	Cône de serrage / Clamping cone						
1	KIT de 3 contacts femelle AWG 10 / KIT with 3 female contacts 10 AWG						
1	KIT de 24 contacts femelle AWG 12 et 14 / KIT with 24 female contacts 12 and 14 AWG						
1	Isolant femelle / Female insert						
27	Manchon / Sleeve						
1	Isolant mixte / Mixed insulator						
1	Corps de fiche - position 77,5 / Plug body - position 77,5						
1	Fiche matière / Data sheet						



REV	DESCRIPTION	DATE	BY	APP
B	Diffusion N°331170	28.JUL.2015	MB	MV
C	App Item 12 and 13 - Add note 13	28.JUL.2015	MB	MV
D	Change reference Item 2, 6 and 7 - Update product spec & application spec - Diffusion 331170	28.JUL.2015	EL	MV

- 1 () : cotes pour information / dimensions for information / cotes de controle / inspection dimensions
- 2 () Instructions de mise en oeuvre à appliquer par le client / Customer instructions to be applied by the customer
- 3 () Ref. YS-UC-212601A-AA1A is a KIT with 3 contacts AWG10 / Ref. YS-UC-212602A-AA1A is a KIT with 24 contacts AWG12/14
- 4 () Laser marking : TE + Commercial reference + Year-Week
- 5 () White paint
- 6 () Work instruction according to 118-157000-2
- 7 () Groove made to differentiate contacts
- 8 () Sleeves packaging separately and identified
- 9 () Daniels manual crimping tool : - Hand crimper HX4 - Die Y543
- 10 () Daniels pneumatic crimping tool : - Pneumatic pump HX23 - Die Y543
- 11 () Tightening torque = 10Nm
- 12 () A label with the commercial reference and the complete BOM is glued on the cardboard
- 13 () Standards : AAR 5-512, APTA RP-E-019-99
- 14 () Key
- 15 () DRAFT ANGLE
- 16 () Spécification de conditionnement 107-157003 / Packaging Specification 107-157003
- 17 () Clamping cone Rep 7 suitable with hose acc. to APTA PR-E-RP-019-99 and AAR 5512 definition, 1 1/4 inch in I.D. and 1 23/32 in O.D. (e.g. PARKER ref. GST II BLACK 15 BAR 32x45)

Référence commerciale / Commercial reference : 27P-PLU-3-01

YE-UC-212094A-0000 PART NO

THIS DRAWING IS A CONTROLLED DOCUMENT.	BY: M BINNIN 28 JUL 2015	DATE: 28 JUL 2015
CHANGED BY: M BINNIN 28 JUL 2015	DATE: 28 JUL 2015	
CHANGED BY: M VIMARD 28 JUL 2015	DATE: 28 JUL 2015	

STE TE Connectivity

TYPICAL AEM-7 PLUG

408-157000-2 (1)

WEIGHT: 4.480 pound

CUSTOMER DRAWING

SCALE: 1:1

SHEET: 1 OF 1

REV: 0