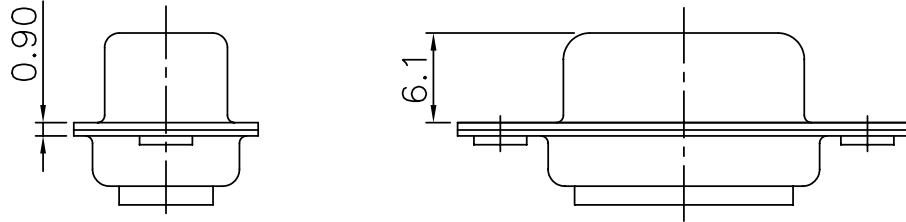
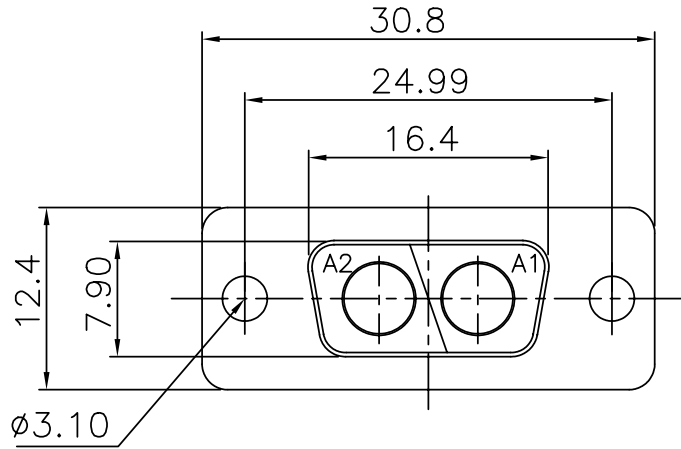


This document is the property of Amphenol Corporation and is delivered on the express condition that it is not to be disclosed, reproduced or used, in whole or in part, for manufacture or sale by anyone other than Amphenol Corporation without its prior consent, & that no right is granted to disclose or to use any information in this document.



# Customer drawing

REVISIONS				
SYM	ECN	DESCRIPTION	DATE	APPROVED
1			10/15/08	

### D-SUB TECHNICAL DATA

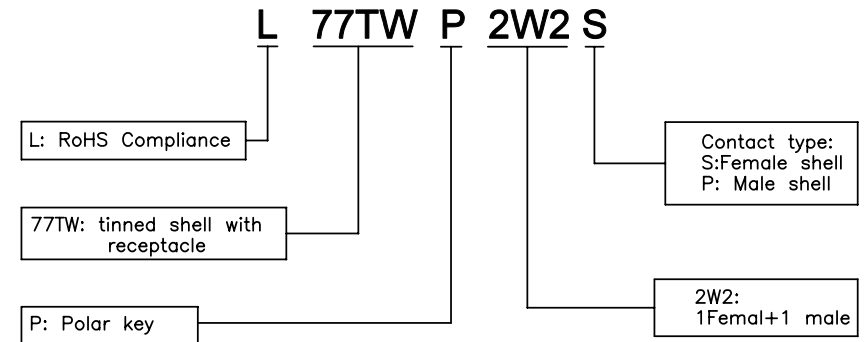
SHELL : Steel 2.5um(100u") min tin over 1.25um(50u") min nickel  
 BODY : Glass filled thermoplastic.  
 Flame retardant to UL94 V-0 Color Black

ELECTRICAL : Voltage rating 300 V RMS at 50 Hz  
 Withstanding Voltage >1000 V RMS at 50 Hz for one minute  
 Insulation resistance >5000 M Ohms

CLIMATIC : Temperature range -55 °C up to 155°C  
 Damp heat 56 days(40 °C-95% HR)

MARKING : Amphenol...(Series No.)  
 Commercial reference  
 Manufacturing date

### PRODUCT CODE



UNLESS OTHERWISE SPECIFIED <b>TOLERANCES</b> U.S. METRIC .X +/- 0.50 .XX +/- 0.30 .XXX +/- 0.20 FRACTIONS +/- ANGLES +/- 5° FOR MATERIALS AND FINISHES SEE NOTES	<b>APPROVAL</b> DRAWN <i>Christine.cui</i> 10/15/08 CHECKED <i>kk.wang</i> 10/15/08 CHECKED		<b>DATE</b> 10/15/08	Amphenol  TITLE Hybrid connector, TW series	
	<b>DRAWING FILE :</b>		<b>SIZE</b> DRAWING NO. A4 C L77TWP2W2S		<b>REV.</b> 1
	<b>REMOVE SHARP EDGES</b> <b>DIMENSIONS</b> U.S. INCHES METRIC MM	<b>ANGLE OF PROJECTION</b> 			<b>SCALE</b> NONE <b>SHEET</b> 1 OF 1