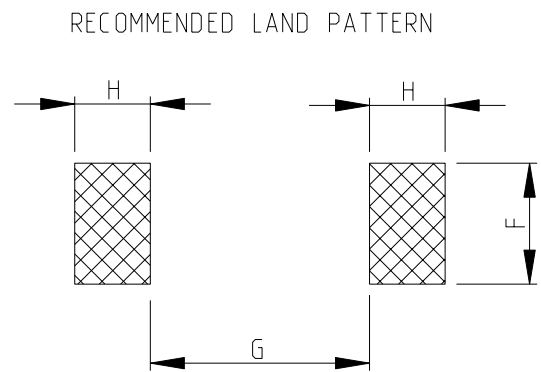
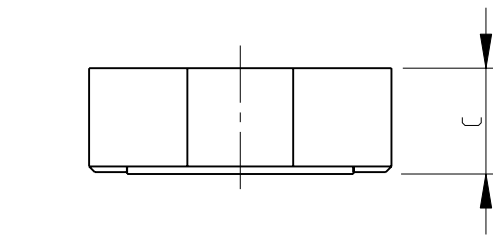
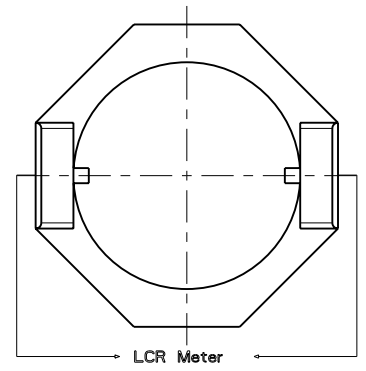
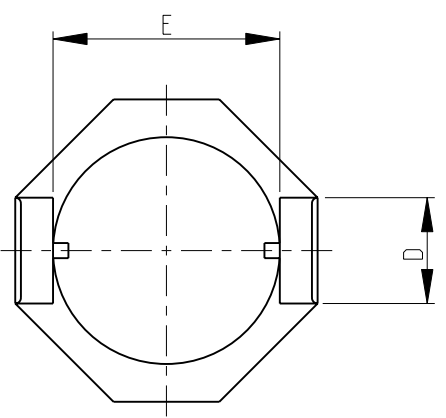
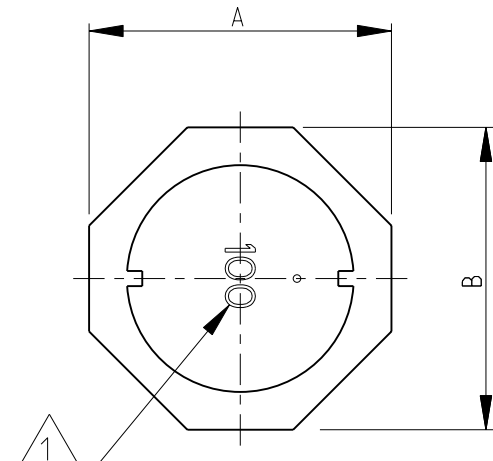
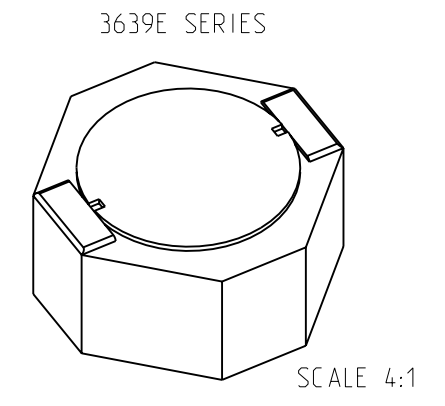
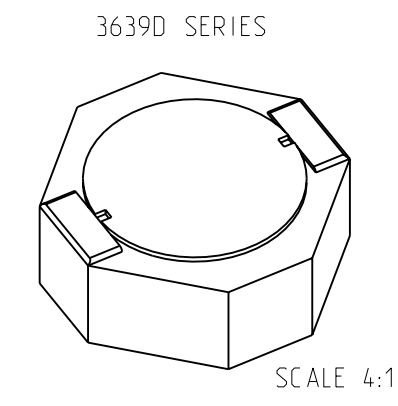
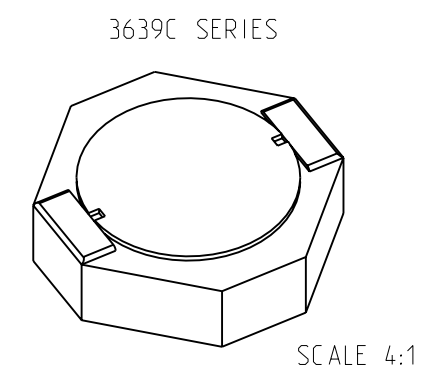
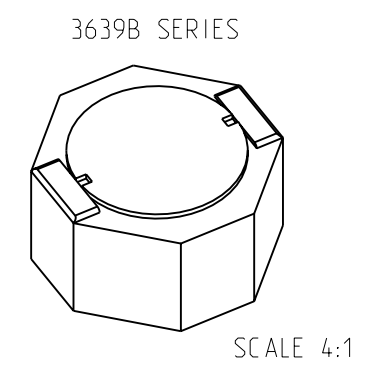
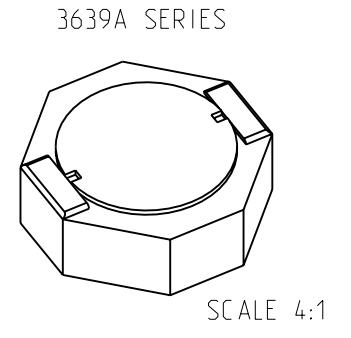


THIS DRAWING IS UNPUBLISHED. RELEASED FOR PUBLICATION 2008
 © COPYRIGHT 2008 BY TYCO ELECTRONICS CORPORATION. ALL RIGHTS RESERVED.

LOC	DIST	REVISIONS				
P	LTR	DESCRIPTION	DATE	DWN	APVD	
E	B	B	NEW RELEASE	14-NOV-08	SM	St.P



- 1 INDUCTANCE CODE
- 2 AVAILABLE IN 5 DIFFERENT SERIES
- 3 FOR FURTHER INFORMATION SEE DATA SHEET FOR 3639 SERIES-SHIELDED SMD POWER INDUCTORS



SERIES	A±0.3	B±0.3	C±0.3	D (TYP)	E (TYP)	F (REF)	G (REF)	H (REF)
3639E	10.0	10.0	4.8	3.2	7.4	3.6	7.2	1.8
3639D	10.0	10.0	3.8	3.2	7.4	3.6	7.2	1.8
3639C	10.0	10.0	2.8	3.2	7.4	3.6	7.2	1.8
3639B	8.0	8.0	4.3	2.8	6.0	3.2	5.8	2.0
3639A	8.0	8.0	2.8	2.8	6.0	3.2	5.8	2.0

RoHS Compliant

<small>THIS DRAWING IS A CONTROLLED DOCUMENT FOR TYCO ELECTRONICS CORPORATION. IT IS SUBJECT TO CHANGE AND THE CONTROLLING ENGINEERING ORGANIZATION SHOULD BE CONTACTED FOR THE LATEST REVISION.</small>	
DIMENSIONS:	TOLERANCES UNLESS OTHERWISE SPECIFIED:
mm	
	0 PLC ±0.2
	1 PLC ±0.1
	2 PLC ±-
	3 PLC ±-
	4 PLC ±-
	ANGLES ±5°
MATERIAL -	FINISH -

DWN	14-NOV-08	Tyco Electronics Corporation	
CHK	14-NOV-08	Dorcan, Swindon, SN3 5HH	
APVD	14-NOV-08	NAME	
STEPHEN.P		SHIELDED SMD POWER INDUCTORS	
PRODUCT SPEC		SERIES 3639	
APPLICATION SPEC		SIZE	RESTRICTED TO
		A3	-
WEIGHT		CAGE CODE	
		00779	
		DRAWING NO	
		1676953	
CUSTOMER DRAWING	SCALE	SHEET	REV
	5:1	1 OF 1	B