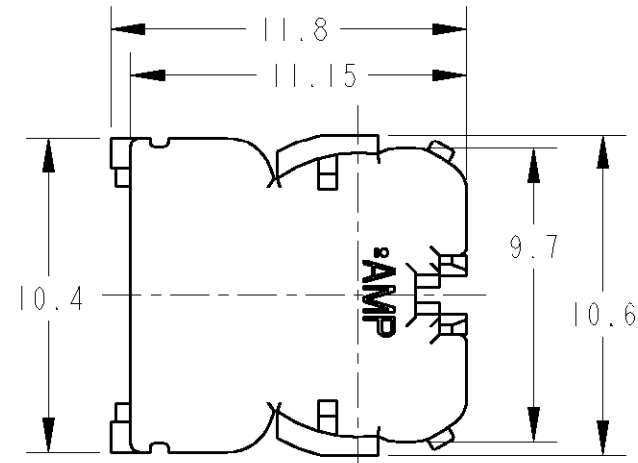
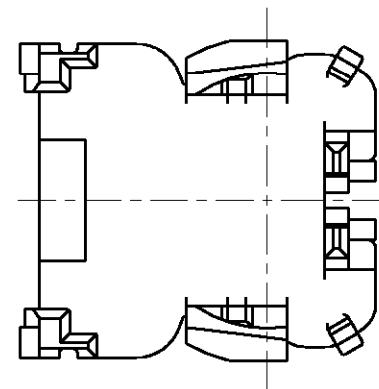
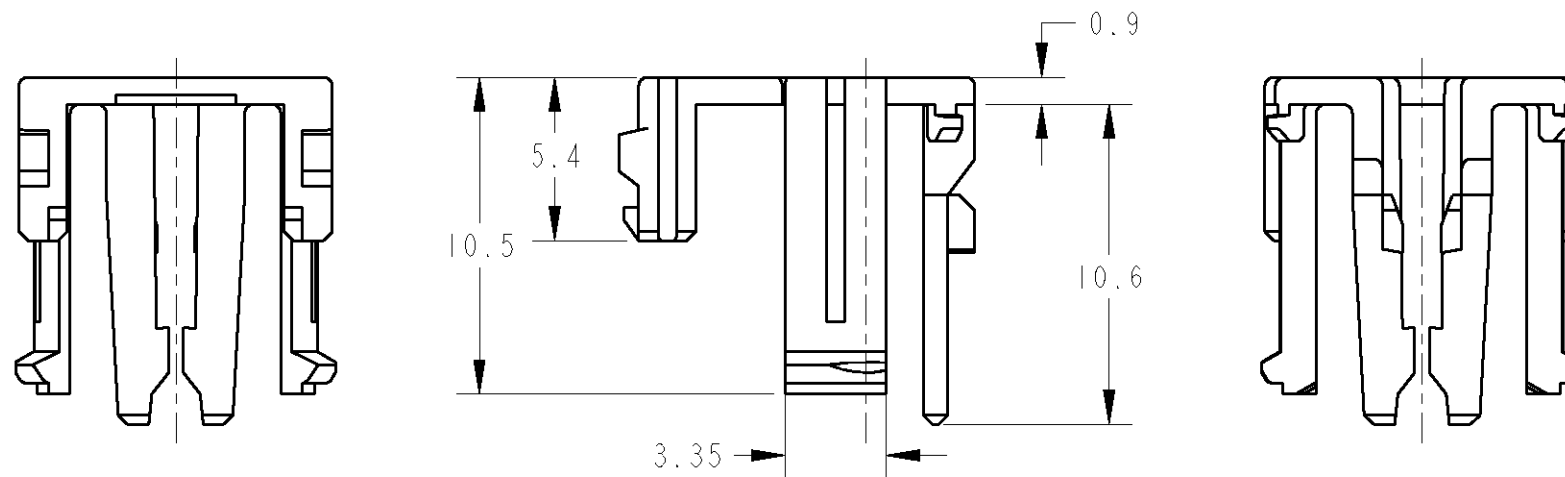


THIS DRAWING IS UNPUBLISHED. RELEASED FOR PUBLICATION 2000
 © COPYRIGHT 2000 BY TYCO ELECTRONICS CORPORATION. ALL RIGHTS RESERVED.

LOC	DIST	REVISIONS						
J	-	P	LTR	DESCRIPTION	ECN	DATE	DWN	APVD
			0	RELEASED	FJ00-1865-00	30NOV2000	T.H	N.S



- I : AS SHOWN
 - I : 本図



1. THIS PRODUCT SHOULD BE USED WITH THE IIDIA SQUIB CONNECTOR SLIM TYPE PLUG HOUSING(P/N:1376688).
 2. INSTRUCTION SHEET:411-5973.
1. 本製品は、IIDIA SQUIB CONNECTOR SLIM TYPE PLUG HOUSING (P/N:1376688)を装着して使用する。
 2. 取扱説明書:411-5973

<small>THIS DRAWING IS A CONTROLLED DOCUMENT FOR TYCO ELECTRONICS CORPORATION IT IS SUBJECT TO CHANGE AND THE CONTROLLING ENGINEERING ORGANIZATION SHOULD BE CONTACTED FOR THE LATEST REVISION.</small>		DWN 30NOV2000 T.HAYASHI CHK 30NOV2000 N.SAI APVD 30NOV2000 N.SAI		AMP Tyco Electronics AMP K.K. Kawasaki, Japan	
DIMENSIONS: 単位: 概 mm		TOLERANCES UNLESS OTHERWISE SPECIFIED: ±0.2 0-PLC ± 1-PLC ±0.1 2-PLC ±0.01 3-PLC ±0.001 4-PLC ±0.0001 ANGLES ±1'00"		PRODUCT SPEC 製品規格 108-5679 APPLICATION SPEC 取付適用規格 -	
MATERIAL 材料 PBTG30		FINISH 仕上 BLACK		WEIGHT 0.2g SIZE A3 CAGE CODE 00779 DRAWING NO 1376689 RESTRICTED TO -	
CUSTOMER DRAWING				SCALE 4:1 SHEET 1 OF 1 REV 0	