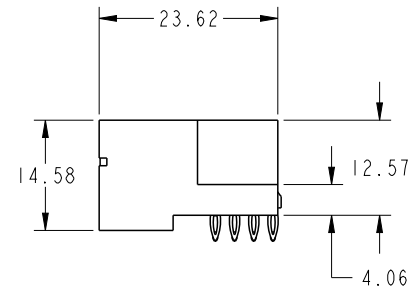
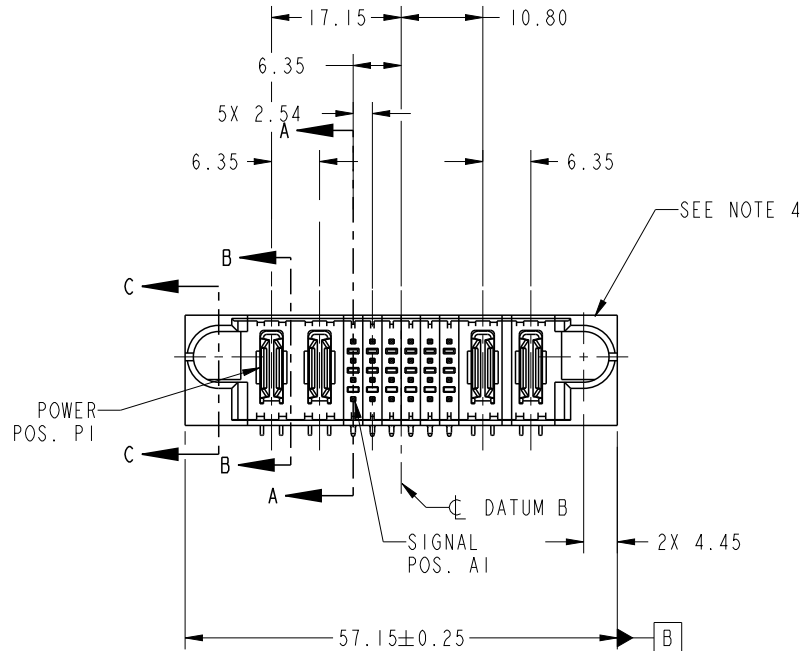


PRODUCT NO.	ROWS	POWER		SIGNAL						POWER			
		E1	P1	P2	1	2	3	4	5	6	P3	P4	E2
51939-714-- NOTE 3	D C B A		PX	PX	SD	SD	SD	SD	SD	SD	PX	PX	

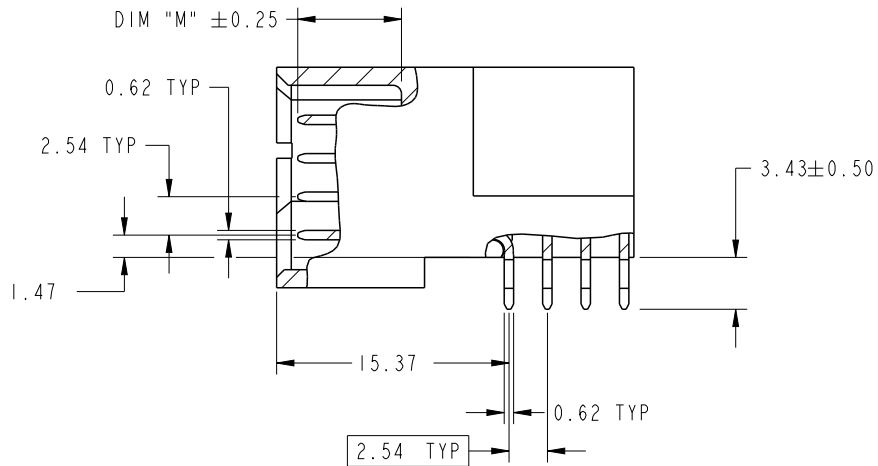


CODE	DIM "M" MATING LENGTH	CONTACT TYPE
PX	[N/A]	POWER
SA	[6.86]	SIGNAL
SB	[6.86]	SIGNAL
SC	[6.86]	SIGNAL
SD	[6.86]	SIGNAL

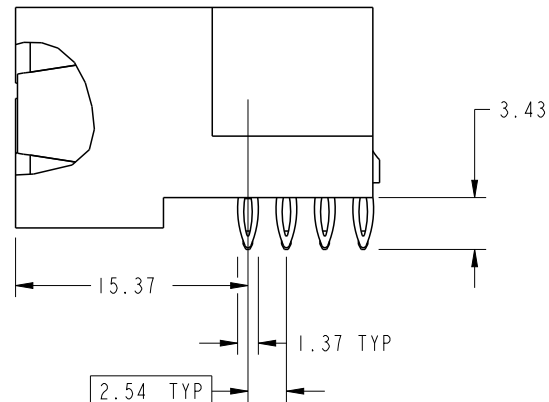
spec ref	*	dr	Ruan MT	2012/10/23	projection	MM	size	A4	scale	1:1
tolerance std	TOLERANCES UNLESS OTHERWISE SPECIFIED	eng	Jackie Huang	2013/06/27			ecn no	-	rel level	Released
SEE NOTE		chr	-	-						
surface	linear	appr	Pei-Ming Zheng	2013/06/27	product family	PwrBlade	rev	51939-714	A	
	angular	www.fci.com		cat. no.	-	Product - Customer Drw	sheet 1 of 4			

PRODUCT NUMBER

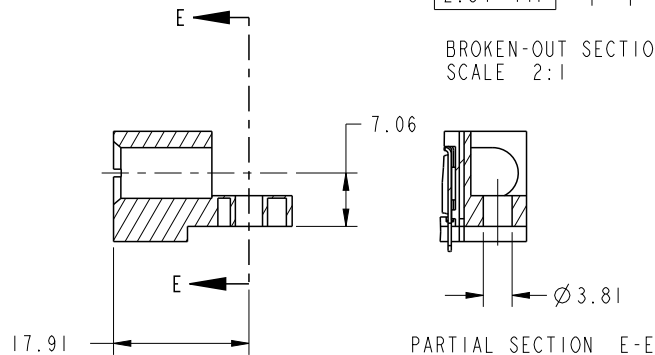
51939-714--
NOTE: 3



BROKEN-OUT SECTION A-A
SCALE 2:1



BROKEN-OUT SECTION B-B
SCALE 2:1



SECTION C-C

PARTIAL SECTION E-E

dr	Ruan MT	2012/10/23	projection 	MM ←→	size	A4	scale	1:1
eng	Jackie Huang	2013/06/27			ecn no	-		
chr	-	-			rel level	Released		
appr	Pei-Ming Zheng	2013/06/27	product family	PwrBlade	rev	A		
	title	2P + 24S + 2P RIGHT ANGLE PRESS FIT HEADER		dwg no	51939-714			
www.fci.com	cat. no.	-	Product - Customer Drw	sheet 2 of 4				

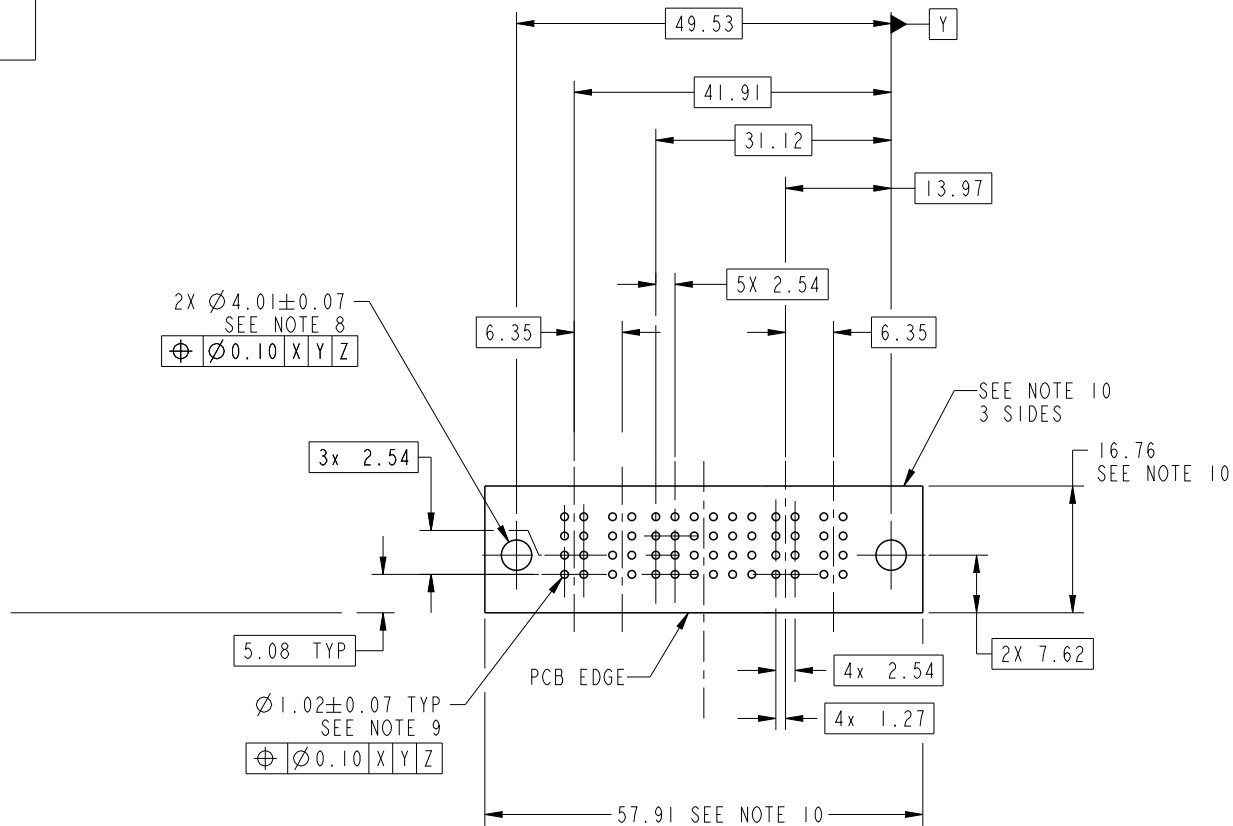


PRODUCT NUMBER

51939-714__
NOTE: 3

2X $\varnothing 4.01 \pm 0.07$
SEE NOTE 8
 $\varnothing 0.10$ X|Y|Z

$\varnothing 1.02 \pm 0.07$ TYP
SEE NOTE 9
 $\varnothing 0.10$ X|Y|Z



RECOMMENDED PCB LAYOUT

dr	Ruan MT	2012/10/23	projection 	MM 	size	A4	scale	1:1
eng	Jackie Huang	2013/06/27			ecn no	-		
chr	-	-			rel level	Released		
appr	Pei-Ming Zheng	2013/06/27	product family	PwrBlade				
	title	2P + 24S + 2P RIGHT ANGLE PRESS FIT HEADER		dwg no	51939-714		rev	A
www.fci.com	cat. no.	-	Product - Customer Drw		sheet 3 of 4			

PRODUCT NUMBER

51939-714__
NOTE: 3

NOTES:

1. DIMENSIONS AND TOLERANCES ARE IN ACCORDANCE WITH ASME Y14.5M, 1994 UNLESS OTHERWISE SPECIFIED.

CONNECTOR NOTES:

- 2. HOUSING MATERIAL: UL 94 V-0 GLASS FILLED HIGH-TEMP THERMOPLASTIC
POWER CONTACT MATERIAL: COPPER ALLOY
SIGNAL PIN MATERIAL: COPPER ALLOY
- 3. SEE ITEM 3 & 4 IN PRINT 10064183 FOR PLATING SPEC OF 51939-714 AND 51939-714LF RESPECTIVELY.
- 4. MANUFACTURER'S NAME, DATE CODE AND OPTIONAL P/N TO APPEAR ON THIS SURFACE. THE P/N CAN BE OMITTED IF THERE IS NOT ENOUGH SPACE ON THIS SURFACE.
- 5. PRODUCT SPECIFICATION GS-12-149.
APPLICATION SPECIFICATION BUS-20-067.
- 6. PACKAGED IN TRAYS.

PCB NOTES:

- 7. ALL HOLE DIAMETERS ARE FINISHED HOLE SIZE.
- 8. MOUNTING HOLES, WHERE APPLICABLE, ARE UNPLATED.
- 9. $\varnothing 1.151 \pm 0.025$ DRILLED HOLES PLATED WITH
0.008 MIN SnPb OR Sn OVER 0.03
TO 0.08 Cu PLATING TO ACHIEVE
 $\varnothing 1.02 \pm 0.07$ HOLE.
- 10. CONNECTOR KEEP-OUT ZONE.

dr	Ruan MT	2012/10/23	projection 	MM 	size	A4	scale	1:1	
eng	Jackie Huang	2013/06/27			ecn no	-			
chr	-	-							
appr	Pei-Ming Zheng	2013/06/27	product family	PwrBlade	rel level	Released			
	title	2P + 24S + 2P RIGHT ANGLE PRESS FIT HEADER			dwg no	51939-714		rev	A
www.fci.com	cat. no.	-	Product - Customer Drw			sheet 4 of 4			