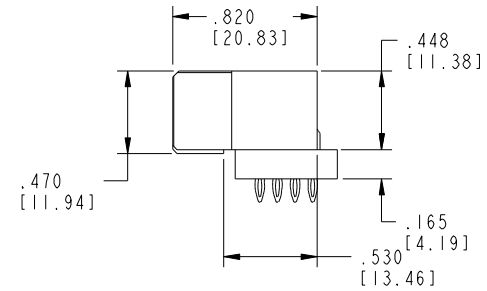
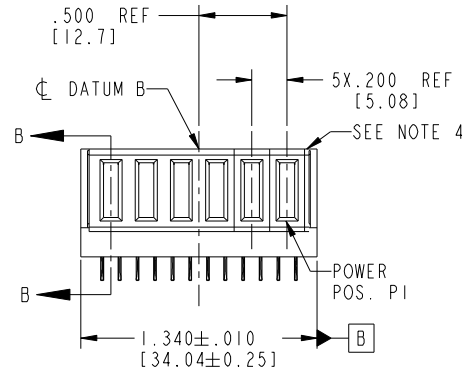


Tous droits strictement reserves. Reproduction ou communication a des tiers interdite sous quelque forme que ce soit sans autorisation écrite du propriétaire. Propriete de c FCI. Droits de reproduction FCI.



All rights strictly reserved. Reproduction or issue to third parties in any form whatever is not permitted without written authority from the proprietor. Property of FCI. Copyright FCI.

PRODUCT NO. 51866-040-- NOTE: 3	POWER					
	P6	P5	P4	P3	P2	P1
	PL	PL	PL	PL	PL	PL



CODE	DIM "M" MATING LENGTH	CONTACT TYPE
FL	.042 [1.07]	POWER

mat'l code SEE NOTE 2				tolerances unless otherwise specified		CUSTOMER		www.fciconnect.com	
ltr	ecn no.	dr	date	linear	.XX±.01/0.X±0.3	COPY		title	
A	DG05-0480	JMG	12/12/05		.XXX±.005/0.XX±0.13	projection		6P	
				angles	.XXX±.0020/0.XXX±0.051			R/A RECEPTACLE	
				dr	0°±2°	INCH/MM		product family PwrBlade code	
				enr	JM GUO 11/18/05	scale		size	
				chr	SLUO 11/18/05	1:1		dwg no	
				appd	VICTOR LIN 11/18/05			51866-040	
					JOSEPH HSIA 11/18/05			sheet	
sheet index	revision sheet	A	A	A				1 of 3	
		1	2	3					

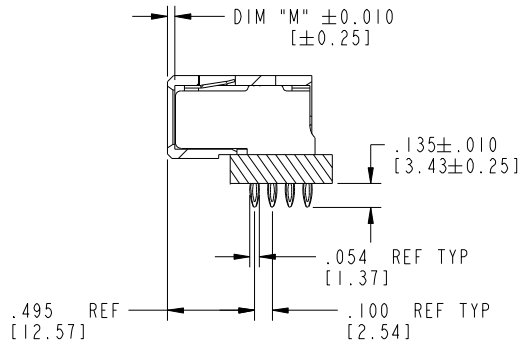
cage code 22526

Tous droits strictement réservés. Reproduction ou communication à des tiers interdite sous quelque forme que ce soit sans autorisation écrite du propriétaire. Propriété de c.FCI. Droits de reproduction FCI.

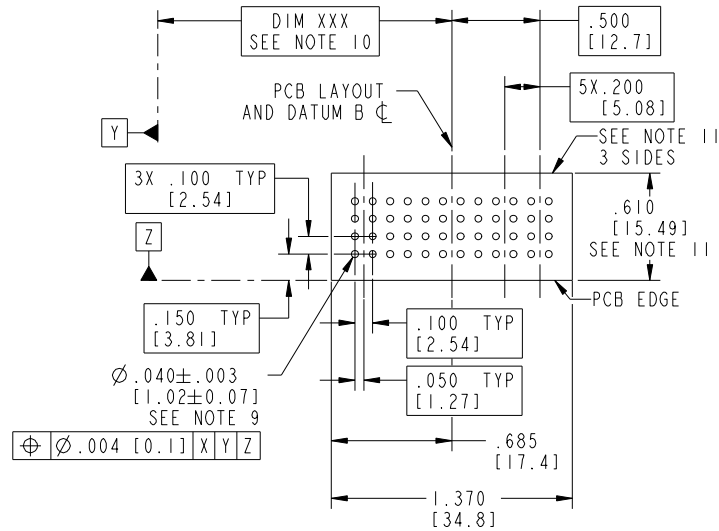


All rights strictly reserved. Reproduction or issue to third parties in any form whatever is not permitted without written authority from the proprietor. Property of FCI. Copyright FCI.

PRODUCT NUMBER  
51866-040\_\_  
NOTE: 3



SECTION B-B



mat'l code		SEE NOTE 2		tolerances unless otherwise specified		CUSTOMER			
ltr	ecn no.	dr	date	linear	.XX±.01/0.X±0.3	COPY		www.fciconnect.com	
A				angles	.XXX±.005/0.XX±0.13	projection		title	
				dr	.XXX±.0020/0.XXX±0.051			6P	
				enr	0°±2°	INCH/MM		R/A RECEPTACLE	
				chr	JM GUO 11/18/05	scale		product family	
				appd	SLUO 11/18/05	1:1		PwrBlade	
					VICTOR LIN 11/18/05	A		code	
					JOSEPH HSIA 11/18/05			size	
sheet index	revision sheet							dwg no	
								51866-040	
								213	
								sheet	
								2 of 3	

cage code 22526

Pro/E

Tous droits strictement réservés. Reproduction ou communication à des tiers interdite sous quelque forme que ce soit sans autorisation écrite du propriétaire. Propriété de c.FCI. Droits de reproduction FCI.



All rights strictly reserved. Reproduction or issue to third parties in any form whatever is not permitted without written authority from the proprietor. Property of FCI. Copyright FCI.

PRODUCT NUMBER  
51866-040\_\_  
NOTE: 3

NOTES:

1. DIMENSIONS AND TOLERANCES ARE IN ACCORDANCE WITH ASME Y14.5M, 1994 UNLESS OTHERWISE SPECIFIED.

CONNECTOR NOTES:

- 2. HOUSING MATERIAL: UL 94 V-0 GLASS FILLED  
HIGH-TEMP THERMOPLASTIC  
POWER CONTACT MATERIAL: COPPER ALLOY  
SIGNAL PIN MATERIAL: COPPER ALLOY
- 3. 51866-040;51866-040LF;51866-040GLF PLATING SPEC. SEE PRINT:10064183
- 4. MANUFACTURER'S NAME, P/N, AND DATE CODE TO APPEAR ON THIS SURFACE.
- 5. PRODUCT SPECIFICATION GS-12-149.  
APPLICATION SPECIFICATION BUS-20-067.
- 6. PACKAGED IN TRAYS.

PCB NOTES:

- 7. ALL HOLE DIAMETERS ARE FINISHED HOLE SIZE.
- 8. MOUNTING HOLES, WHERE APPLICABLE, ARE UNPLATED.
- 9.  $\varnothing .0453 \pm .0010$  [1.151 $\pm$ 0.025] DRILLED HOLES PLATED WITH .0003 [0.008] MIN SnPb OR Sn OVER .001 [0.03] TO .003 [0.08] Cu PLATING TO ACHIEVE  $\varnothing .040 \pm .003$  [1.02 $\pm$ .07] HOLE.
- 10. "DIM XXX" TO BE DETERMINED BY THE CUSTOMER.
- 11. CONNECTOR KEEP-OUT ZONE.
- 12. USE FCI CAM TOOL 430140-XXX TO APPLY CONNECTOR TO PCB.

mat'l code				SEE NOTE 2		tolerances unless otherwise specified		CUSTOMER		www.fciconnect.com	
ltr	ecn no.	dr	date	linear	.XX±.01/0.X±0.3		COPY			title	
A					.XXX±.005/0.XX±0.13		INCH/MM			6P	
					.XXX±.0020/0.XXX±0.051		←			R/A RECEPTACLE	
				angles	0°±2°		scale		product family		
				dr	JM GUO	11/18/05	1:1		PwrBlade		
				enrg	SLUO	11/18/05			code		
				chr	VICTOR LIN	11/18/05			size		
				appd	JOSEPH HSIA	11/18/05			dwg no		
sheet index		revision sheet						A		51866-040	
										213	
										3 of 3	

cage code 22526

Pro/E