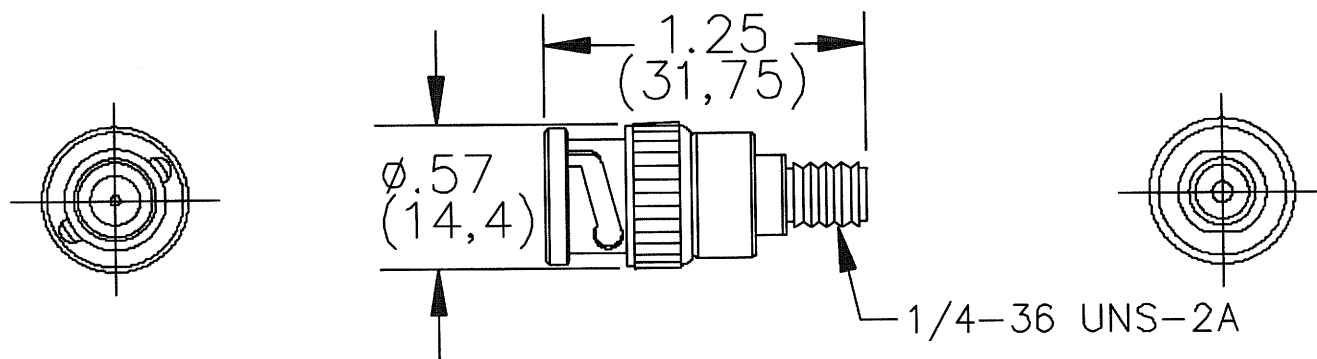


MUELLER®

MODEL: BU-P4289

Adapter BNC Male to SMA Female



MATERIALS:

Body Gold Plated Brass
Contacts Gold Plated Beryllium Copper
Insulator PTFE

RATINGS:

Voltage: Shield/Contact: 335VRMS Max.
Shield/Earth 30VAC Max.

Temperature: -50 to 170 C

Frequency: 0 to 12.4 GHz

Impedance: 50 Ohms