

# Customer Information Sheet

DRAWING No.: W2222-00

SHEET 2 OF 2

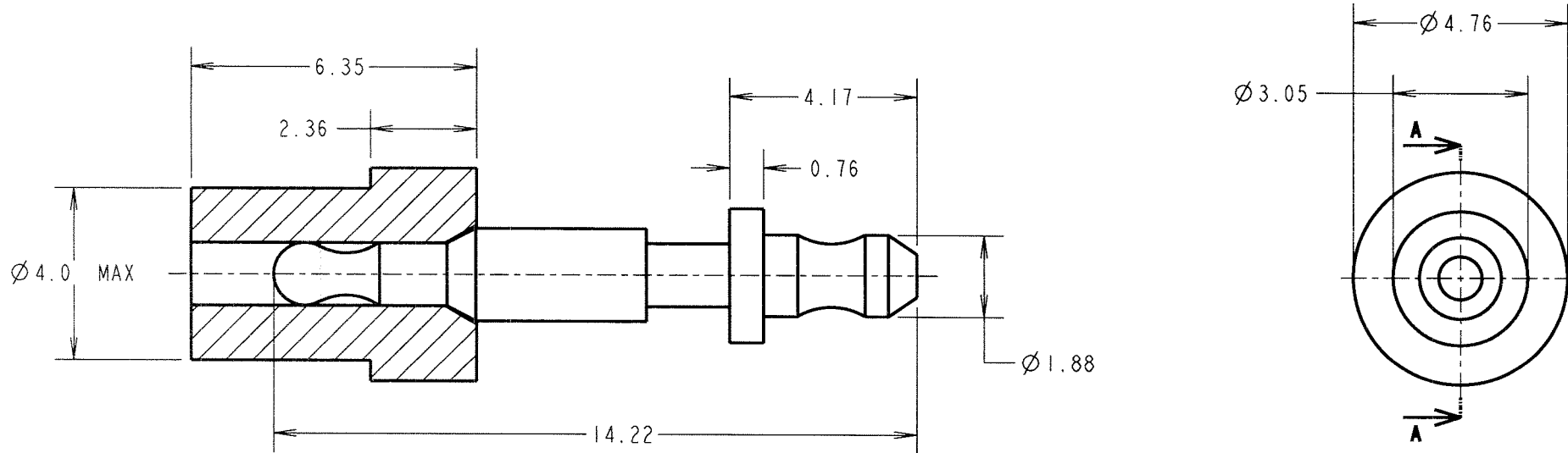
IF IN DOUBT - ASK

(C)

NOT TO SCALE

THIRD ANGLE PROJECTION

ALL DIMENSIONS IN mm



SECTION A-A

**SPECIFICATIONS:**

**MATERIAL:**

INSULATOR = PTFE, WHITE

TERMINAL = BRASS

**FINISH:**

TERMINAL = 3.5 $\mu$  SILVER

**ELECTRICAL:**

CURRENT RATING = 5A MAX

VOLTAGE PROOF = 5KV

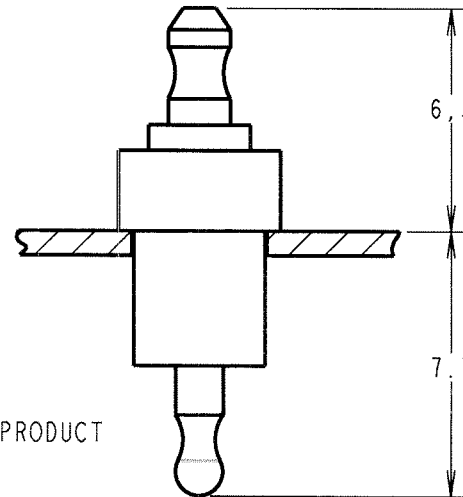
**ENVIRONMENTAL:**

MAX. TEMPERATURE RATING = 200°C

**NOTES:**

- FOR ASSEMBLY INSTRUCTIONS, SEE INSTRUCTION SHEET IS-24.
- USE ASSEMBLY TOOL Z1001-00.
- RECOMMENDED PCB HOLE SIZE =  $\varnothing 3.96$ mm.
- RECOMMENDED PCB THICKNESS = 0.72-1.6mm.

FINISHED PRODUCT



JAE	4	22.10.04	8184
NAME	ISS.	DATE	C/NOTE
APPROVED: <i>[Signature]</i>			
CHECKED: <i>[Signature]</i>			
DRAWN: K. SHIER			
CUSTOMER REF.:			
ASSEMBLY DRG:			

## HARWIN

THIS DRAWING AND ANY INFORMATION OR DESCRIPTIVE MATTER SET OUT HEREON ARE CONFIDENTIAL AND COPYRIGHT PROPERTY OF THE HARWIN GROUP AND MUST NOT BE DISCLOSED, LOANED, COPIED OR USED FOR MANUFACTURING, TENDERING OR FOR ANY OTHER PURPOSE WITHOUT THEIR WRITTEN PERMISSION.

**TOLERANCES**

X. =  $\pm 1$ mm  
 X.X =  $\pm 0.25$ mm  
 X.XX =  $\pm 0.10$ mm  
 X.XXX =  $\pm 0.01$ mm

ANGLES =  $\pm 5^\circ$   
 UNLESS STATED

**MATERIAL:**

SEE ABOVE

**FINISH:**

SEE ABOVE

**S/AREA:**

mm<sup>2</sup>

**TITLE:**

FEED THROUGH INSULATOR  
 (PARTIALLY ASSEMBLED)

**DRAWING NUMBER:**

W2222-00

HARWIN INC U.S.A. TEL: (812) 542 2546 FAX: (812) 542 2541	HARWIN PLC U.K. TEL: 023 9231 4545 FAX: 023 9231 4590	HARWIN PTE SINGAPORE TEL: 65 6779 4909 FAX: 65 6779 3868
--	--	---

SHT  
2 OF 2