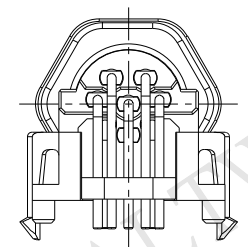
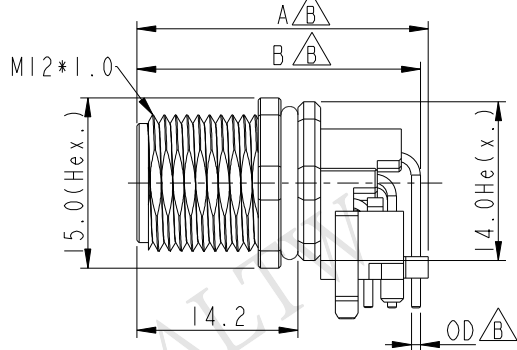
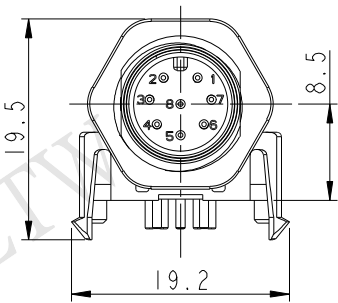
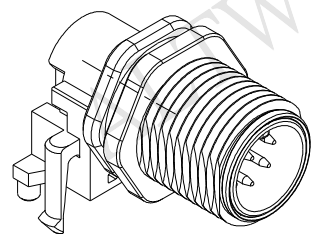
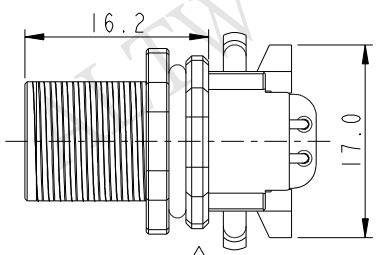
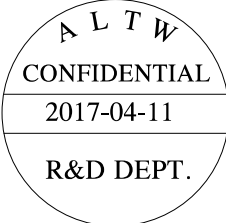
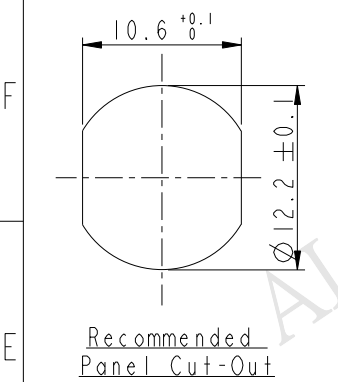
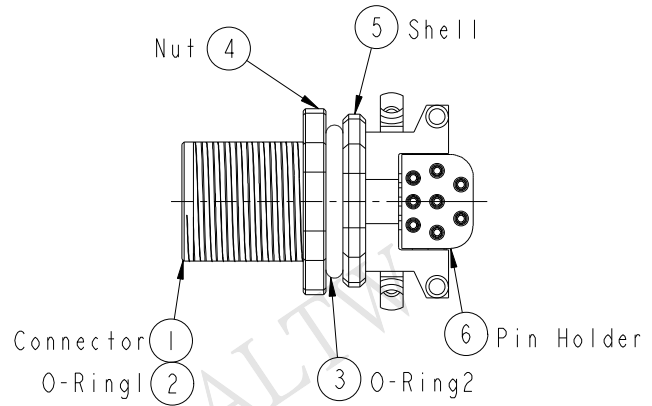
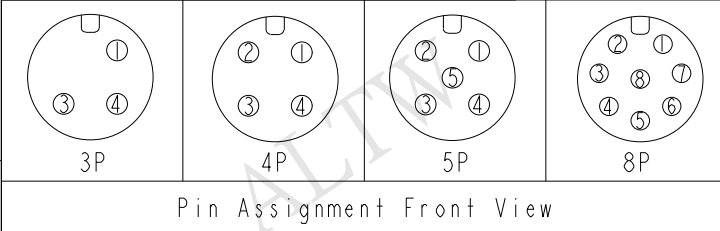


THIS DOCUMENT IS SUBJECT TO CHANGE WITHOUT NOTICE. IT IS CONFIDENTIAL AND A PROPERTY OF AMPHENOL LTW. DISCLOSURE TO THIRD PARTY HAS TO BE AUTHORIZED BY AMPHENOL LTW.

REV.	ECN NO.	DATE	SIGN	DESCRIPTION
B	LEN1741194~97	2017/04/11	Jinhai	Add The Size Table



M12A-03PMMR-SF7003	25.9	24.8	1.0	△
M12A-04PMMR-SF7003	25.9	24.8	1.0	
M12A-05PMMR-SF7003	25.9	24.8	1.0	
M12A-08PMMR-SF7003	25.7	25.0	0.8	
Item No.	A	B	OD	



- Note:
- * (Circled symbol) Important Dimension To Check.
 - * Waterproof Rating: IP67(Mated Waterproof)
 - * Connector: PBT+PC, Black
 - * Male Pins: Copper Alloy, Gold Plated
 - * Shell: Zinc Alloy, Nickel Plated
 - * Nut: Zinc Alloy, Nickel Plated
 - * O-Ring1: Silicone, Black
 - * O-Ring2: Silicone, Gray
 - * Pin Holder: PBT+PC, Black
 - * Rated Voltage: 3 & 4Pin 250V dc. or ac.
5Pin 60V dc. or ac.
8Pin 30V dc. or ac.
 - * Rated Current: 3~5Pin 4A
8Pin 2A
 - * For Panel Thickness Max. 3.0mm
 - * For PCB Thickness Max. 1.5mm

UNIT:mm TOLERANCE .X ±0.25 .XX ±0.1 .XXX ±0.05 ANGLES ±1°		TITLE M12, 90° Panel M Conn. M Pin		ITEM NO. M12A-XXPMMR-SF7003		DRAWN BY Jinhai		DATE 2017-04-11	
		SCALE 3:2	SIZE A4	SHEET 1 OF 2	DWG NO. M12A-XXPMMR-SF7003		CHECKED BY Feng-li		DATE 2017-04-11
REV. B		WC-REV. A.3		CUSTOMER ALTW		APPROVED BY Jerry		DATE 2017-04-11	

Amphenol LTW
安費諾亮泰企業股份有限公司

QC: Inspection item

THIS DOCUMENT IS SUBJECT TO CHANGE WITHOUT NOTICE. IT IS CONFIDENTIAL AND A PROPERTY OF Amphenol LTW. DISCLOSURE TO THIRD PARTY HAS TO BE AUTHORIZED BY Amphenol LTW.

ALTW
 CONFIDENTIAL
 2017-04-11
 R&D DEPT.

ALTW
 DCC. DEPT.
 CONFIDENTIAL
 2017.04.19
 ISSUED

M 12A - XX P M M R - S F 7 003

12A: A-Code

03: 3Pin
04: 4Pin
05: 5Pin
08: 8Pin

P: Panel (板端)

M: Male Connector (公座)

003: M12*1.0

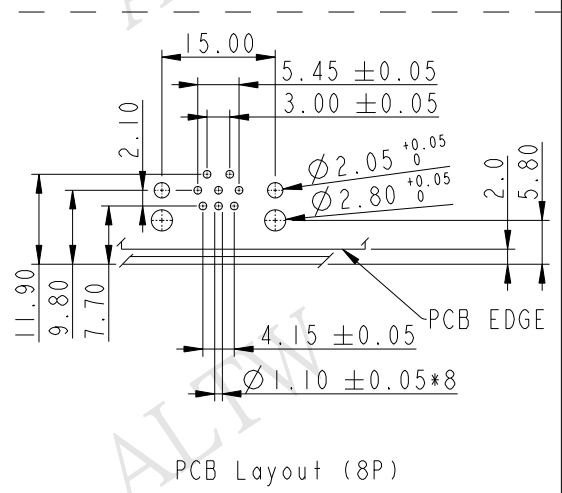
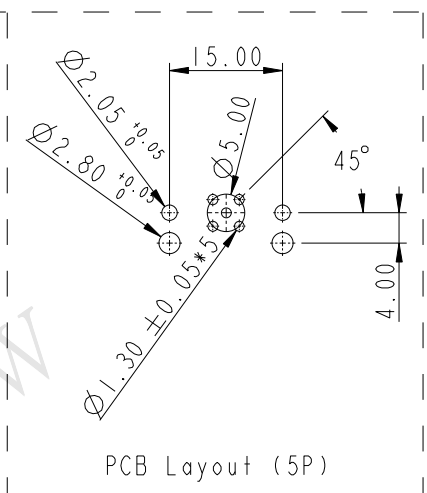
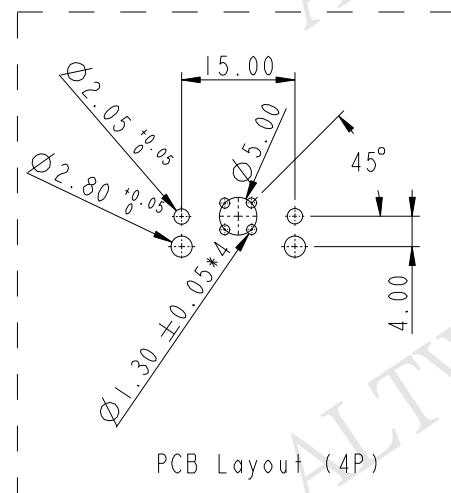
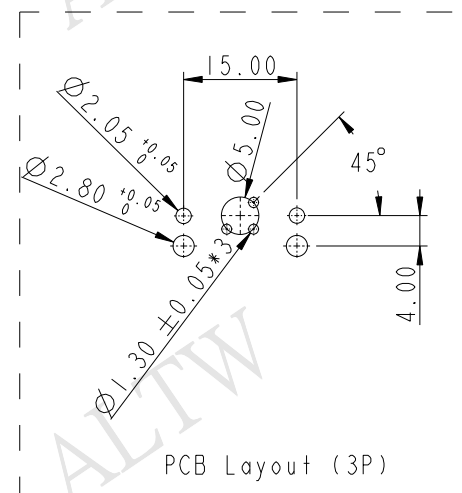
7: IP67 (防水等級67)

F: Front Fasten (前鎖式/Enclosure Rear Mount)

S: Screw (螺紋式)

R: 90° PCB THT/DIP Type (90°基板插件式)

M: Male Pin (公Pin)



UNIT: mm		TITLE	M12, 90° Panel M Conn. M Pin		
TOLERANCE		SCALE	SIZE	SHEET	OF
.X	±0.25	3:2	A4	2	2
.XX	±0.1	REV.	WC-REV.		
.XXX	±0.05	B	A.3	QC: Inspection item	
ANGLES	±1°				

Amphenol LTW
 安費諾亮泰企業股份有限公司

ITEM NO	DRAWN BY	DATE
	Yulong_wang	2017-04-11
DWG NO	CHECKED BY	DATE
M12A-XXPMMR-SF7003	Jinhai	2017-04-11
CUSTOMER	APPROVED BY	DATE
ALTW	Jerry	2017-04-11