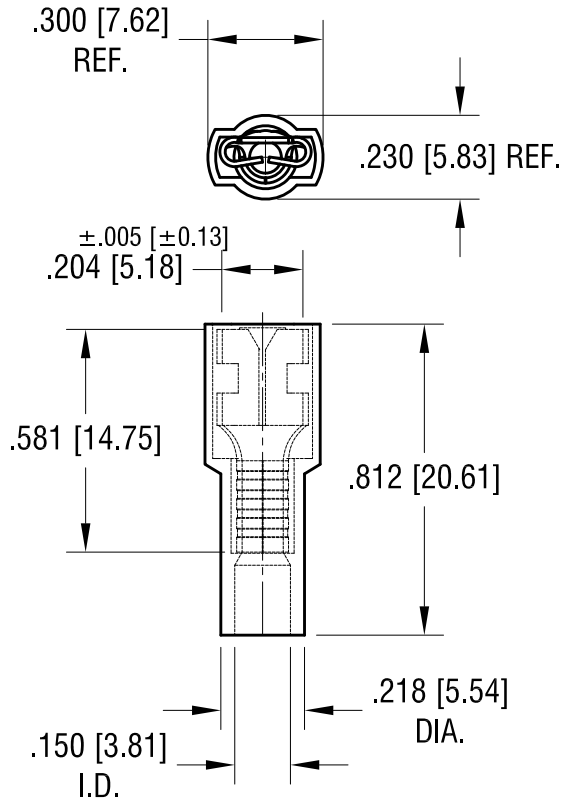
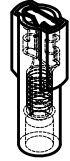


THIS DOCUMENT IS THE PROPERTY OF  
KEYSTONE ELECTRONICS CORP. AND  
SHALL NOT BE REPRODUCED, DISTRIBUTED  
OR USED AS A BASIS FOR MANUFACTURE  
WITHOUT PRIOR WRITTEN PERMISSION  
FROM KEYSTONE ELECTRONICS CORP.

ACTUAL SIZE



**NOTE:**

1. TERMINAL: MATES WITH MALE TAB  
.187 [4.75] x .020 [0.50] THK  
MATERIAL: COPPER, TIN PLATE  
INSULATOR: NYLON 6/6, BLUE
2. ACCOMMODATES WIRE RANGE 16/14 AWG

**KEYSTONE ELECTRONICS CORP.**

www.keyelco.com • ASTORIA, N.Y. 11105-2017 • Tel (718) 956-8900

PART NAME			
FULLY INSULATED QUICK-FIT TERMINAL			
MATERIAL			
AS NOTED			
FINISH		DRN BY	DATE
AS NOTED		NT	12.23.08
		APP'D	SCALE
		LN	2X
TOLERANCES	INCH [MM]	CODE	DWG NO.
DECIMAL	± .015 [± 0.38]	C	8293
ANGULAR	± 1°		
UNLESS OTHERWISE SPECIFIED			

12.29.14	CHANGE AS PER ECN 14-129	A
DATE	DESCRIPTION	REV.