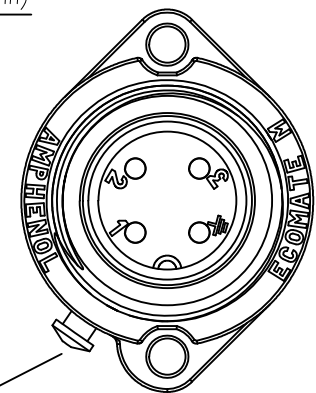
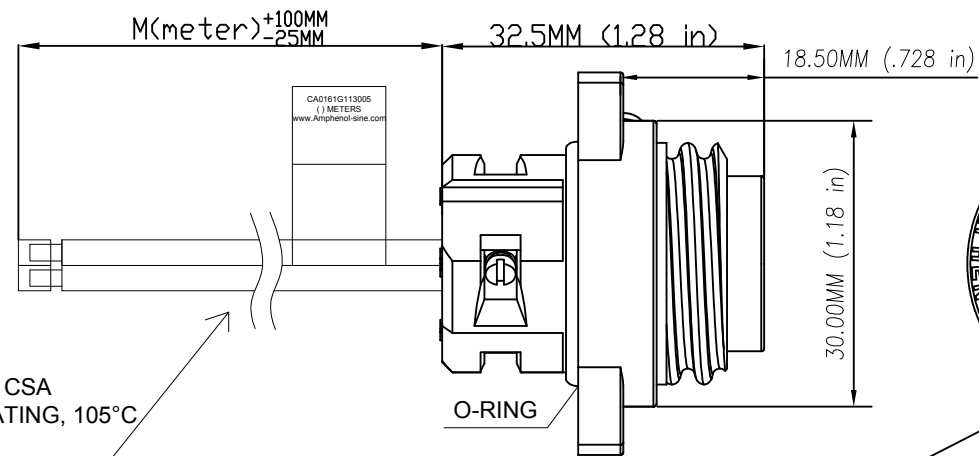


REVISIONS							
REV	ZONE	ECO	DESCRIPTION	DATE	BY	CHK	APPR
A1	-	-	TECHNICAL DATA SHEET RELEASE	14-JULY-2017	RO	-	-

PART NUMBER	LENGTH (METERS)
CA0161G113003	0.3M (0.98 FEET)
CA0161G113005	0.5M (1.64 FEET)
CA0161G113010	1M (3.28 FEET)

WIRES SEMI-STRIP AT 12.7MM (1/2")

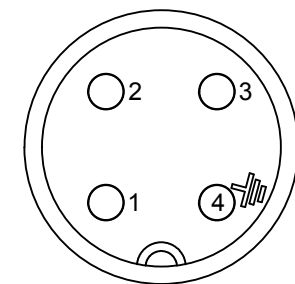
WIRE RATING: UL LISTED TYPE 1015, CSA CERTIFIED TYPE TEW, FT1 FLAME RATING, 105°C WIRE JACKET MATERIAL: PVC



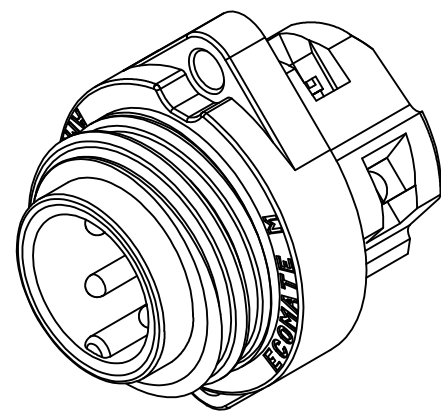
CAN BE USED WITH MATING CABLE ASSEMBLY # CA0161B22303012 OR CABLE PLUG # C01620D00310012

MALE RECEPTACLE

*PROTECTIVE COVER FASTENING STUD. COVER NOT INCLUDED, P/N: C01600U00000012

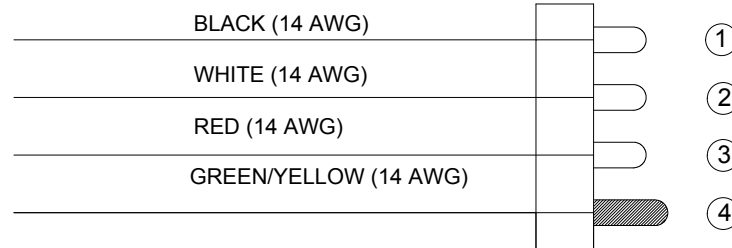


FACE VIEW



3-D VIEW

WIRING DIAGRAM



TECHNICAL DATA:

1) MATERIALS:

COUPLING NUT: NYLON PA 6.6
INSULATION INSERT: NYLON PA 6.6, UL 94/V-0
CONTACT: SILVER PLATED
NUMBER OF CONDUCTORS: (4) 14AWG

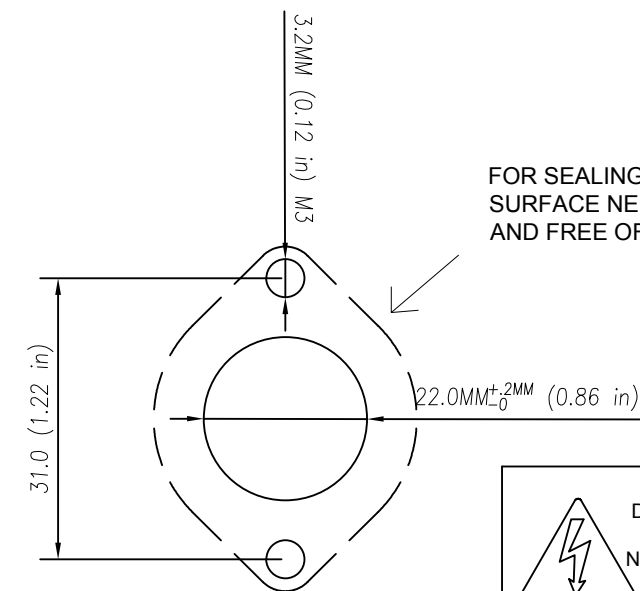
2) ELECTRICAL DATA:

CURRENT (MAX): 16A
VOLTAGE (MAX): 400V AC/DC
INSULATION RESISTANCE (MIN): 100M OHMS
RATED IMPULSE WITHSTAND VOLTAGE: 6000V

3) MECHANICAL DATA:

TEMPERATURE RANGE: -40°C TO +100°C
PROTECTION: IP68 (MATED CONDITION)
MATING CYCLES: >500

4) RoHS COMPLIANT



FOR SEALING REASON, THIS SURFACE NEEDS TO BE LEVEL AND FREE OF BURRS

*MOUNTING HOLE Ø22 WITHOUT CHAMFER, SUITABLE SEALING FOR SCREWS IF NECESSARY. TIGHTENING TORQUE 0.8Nm

Risk of Electrical Shock
Do Not Disconnect Under Load.
Risque de chocs électriques
Ne pas debrancher sous tension.

WARNING

QUANTITY	PART NUMBER	DESCRIPTION	ITEM
MATERIALS LIST			
UNLESS OTHERWISE SPECIFIED		SIGNATURES DATE	
1) All dimensions are in metric (mm).		DRAWN: RO	6-JUNE-17
2) Tolerances are as follows:		CHECKED: AA	6-JUNE-17
1 PL DEC ±0.30 Fractions ±1/64		ENGINEER: MF	
2 PL DEC ±0.15 Angles ±1°		APPROVAL: WS	6-JUNE-17
3 PL DEC ±0.08		CUSTOMER:	
3) Note reference =		THIS DRAWING IS SUPPLIED FOR INFORMATION ONLY. DESIGN FEATURES, SPECIFICATIONS AND PERFORMANCE DATA SHOWN HEREON ARE THE PROPERTY OF THE AMPHENOL CORPORATION. NO RIGHTS OF REPRODUCTION ARE IMPLIED. ALL DIMENSIONS ARE SUBJECT TO NORMAL MANUFACTURING VARIATIONS.	
MATERIAL SPECIFICATIONS:		SIZE: C-	DWG NO: CA0161G1130XX
PROCESS SPECIFICATIONS:		SCALE:	REVISION: A1
NEXT ASSY:		CA0161G1130XX SHEET 1 OF 1	

Amphenol

Sine Systems - www.amphenol-sine.com
44724 Morley Drive
Clinton Township, MI 48036

ECOMATE 7 POS FEMALE RECEPTACLE, 16AWG LEADS, UL1015