

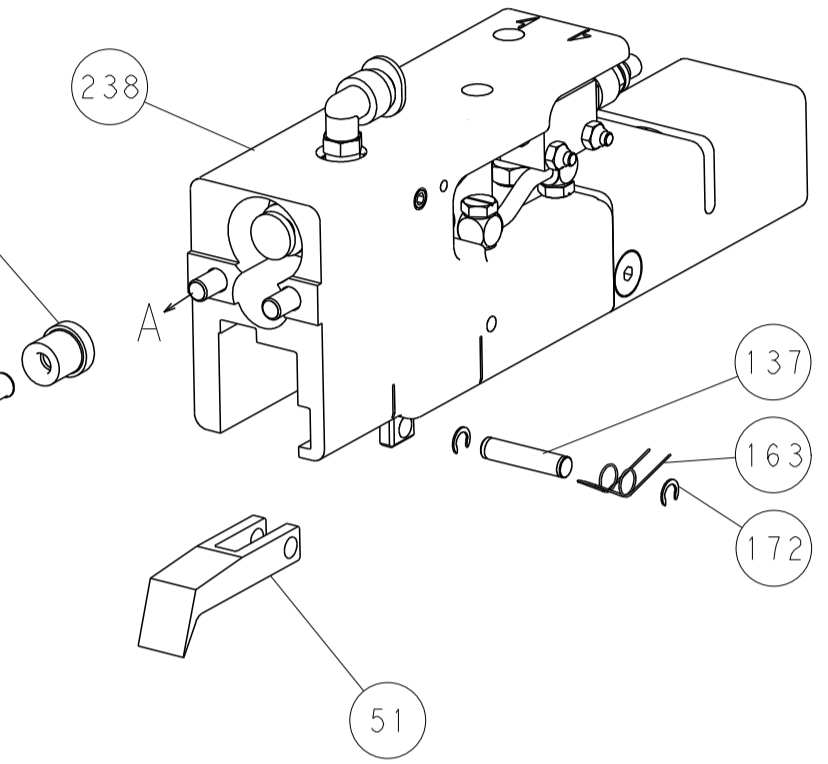


THIS DRAWING IS UNPUBLISHED. RELEASED FOR PUBLICATION  
 © COPYRIGHT 20 BY TYCO ELECTRONICS CORPORATION. ALL RIGHTS RESERVED.

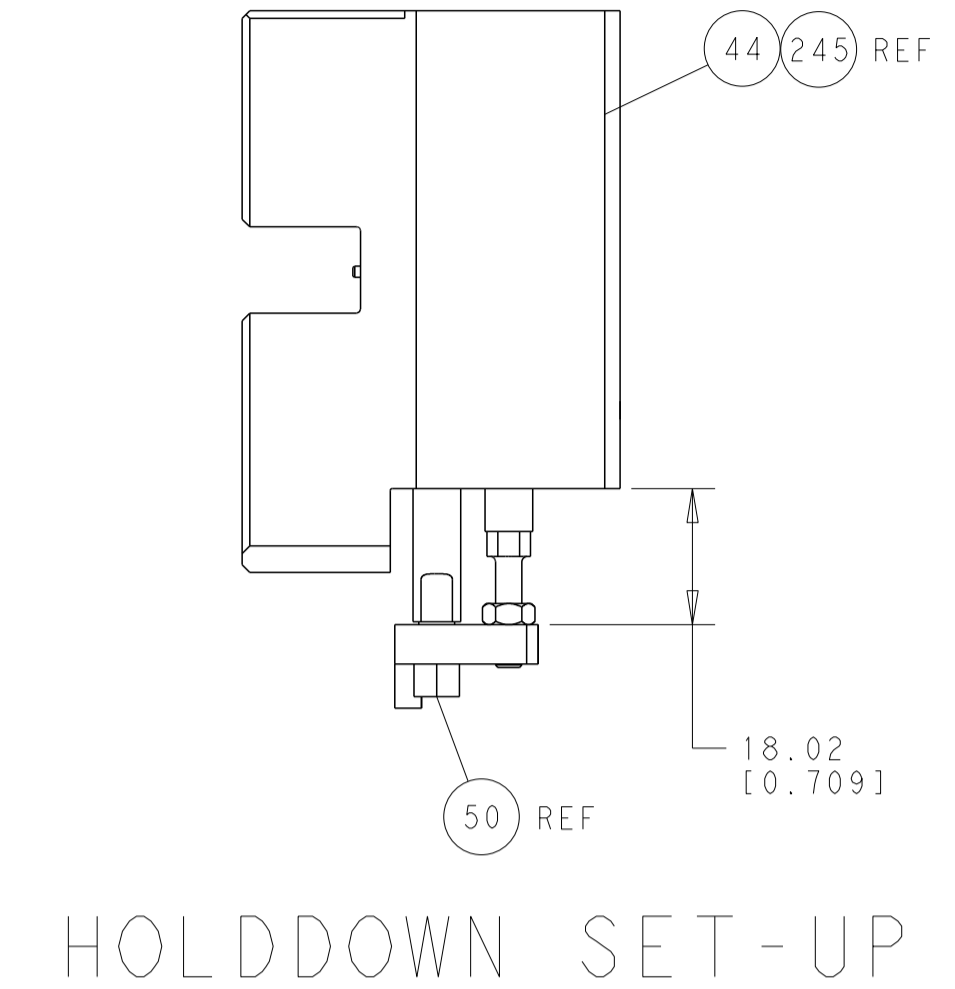
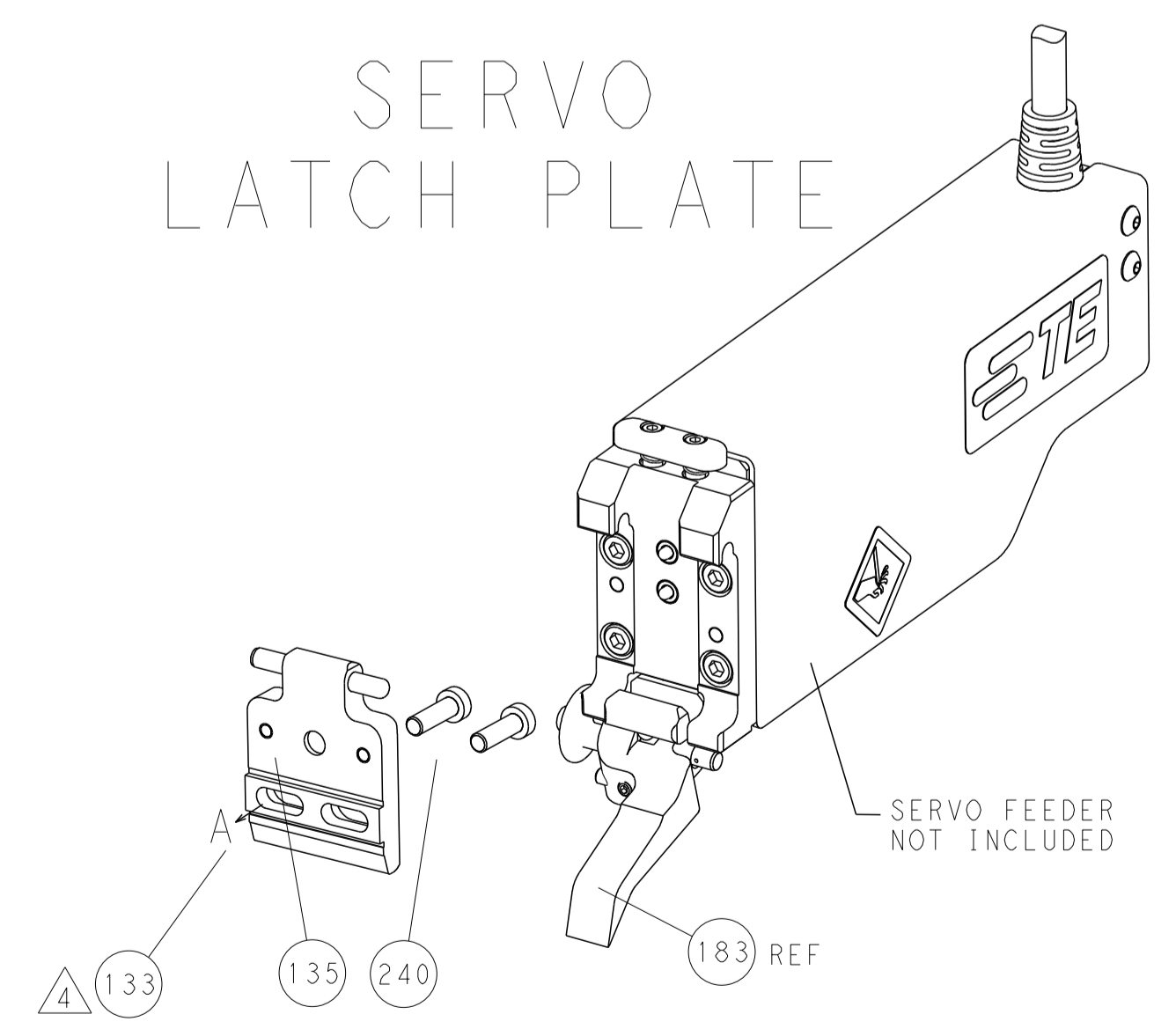
LOC		DIST		REVISIONS			
P	LTR	DESCRIPTION	DATE	DWN	APVD		
A	66	SEE SHEET 1					

### FEED TYPE

### PNEUMATIC

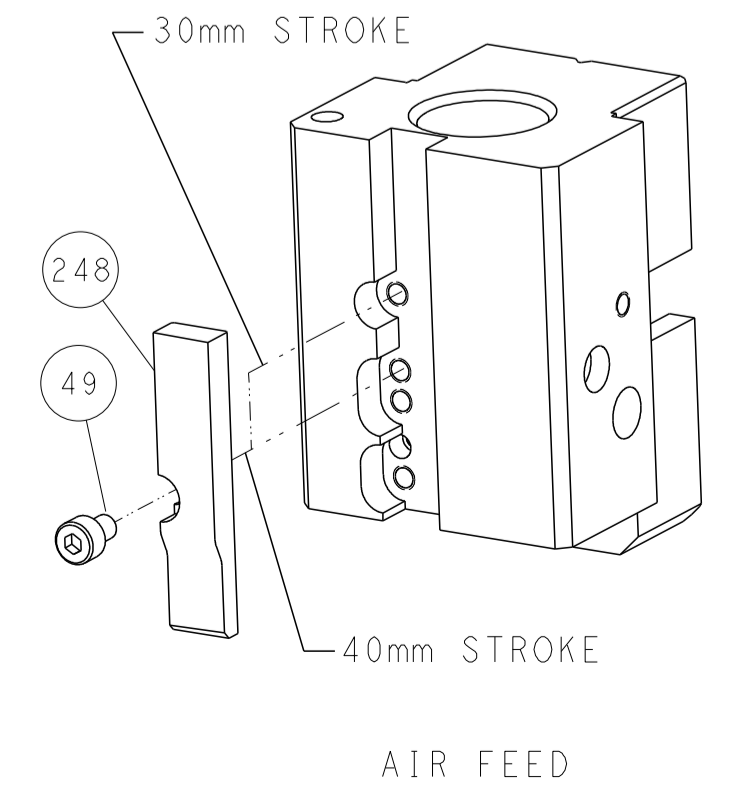


### SERVO LATCH PLATE

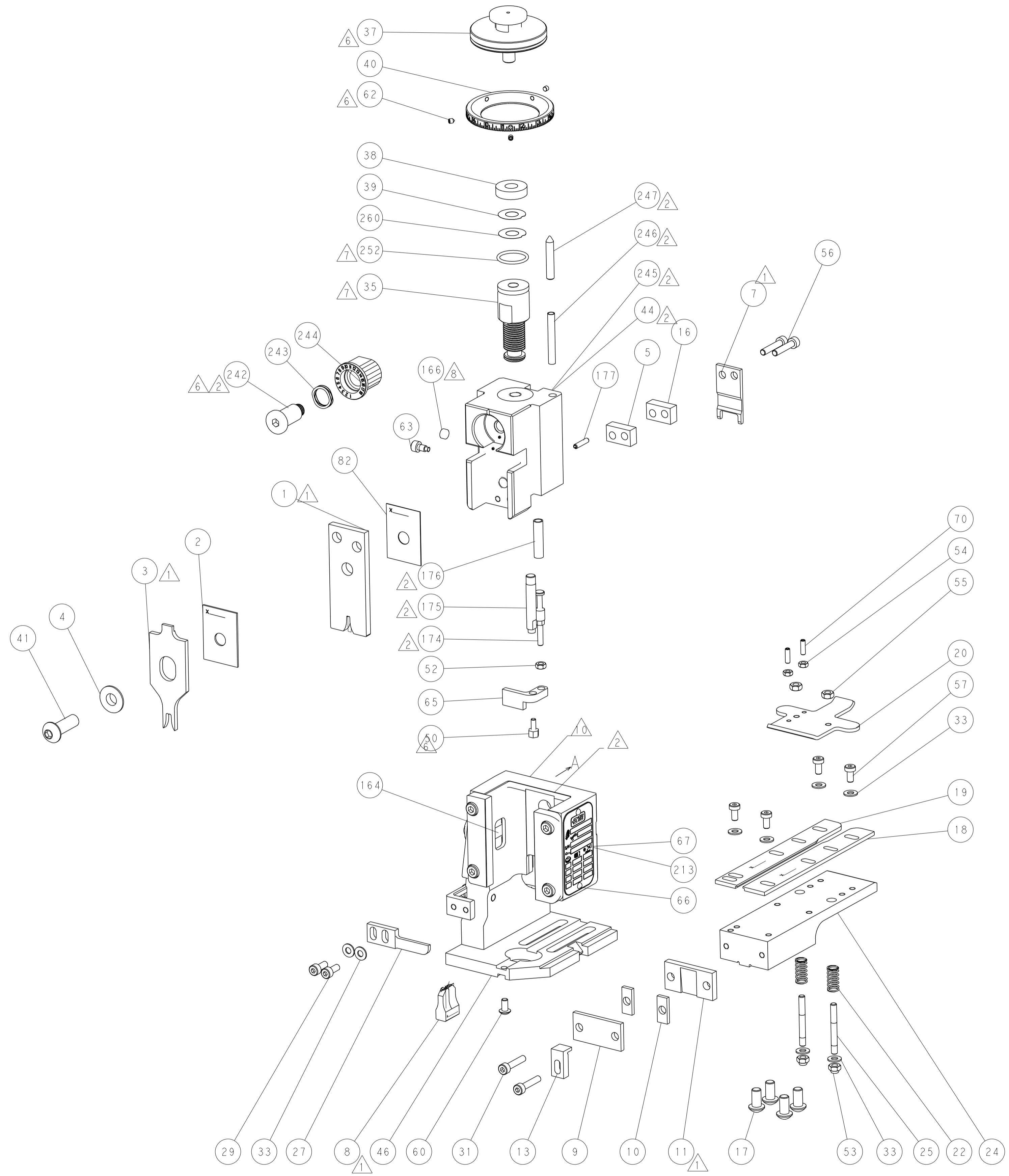


### HOLDDOWN SET-UP

### CAM POSITION



### AIR FEED



**ATLANTIC VERSION**  
 Shown on sheets 1 of 4 & 2 of 4  
 (Pacific version shown on sheets 3 of 4 & 4 of 4)

DIMENSIONS:		TOLERANCES UNLESS OTHERWISE SPECIFIED:		DWN Y. YIN 01AUG2013		CHK G. BAILEY 01AUG2013		APVD U. GUO 01AUG2013		NAME		TE Connectivity Harrisburg, PA 17105-3608	
mm		0 PLC ±0.5		1 PLC ±0.13		2 PLC ±0.013		3 PLC ±0.001		PRODUCT SPEC		Ocean End Feed Applicator	
MATERIAL		FINISH		APPLICATION SPEC		REIGHT		SIZE		CAGE CODE		DRAWING NO	
								A1		00779		C=2150347	
Customer Accessible Production Drawing										SCALE		SHEET 2 OF 4 REV A1	

Table with columns: PART NUMBER, REVISION, DESCRIPTION, FEED TYPE, CONVERT TO, PART NUMBERS REQUIRED. Includes a diagram of a Pacific Version Terminator Interface Adapter.

APPLICATOR DATA table with columns: CRIMP, SIZE, TYPE. Includes WIRE and INSUL values.

TERMINAL DATA: TE TERMINAL TE CRIMP SPECIFICATION table. Includes terminal name, wire strip length, insulation diameter range, and terminal application specifications.

Table with columns: WIRE SIZE, CRIMP HEIGHT mm [INCH], CRIMP HEIGHT REFERENCE SETTING. Includes values for 1.60mm2 and 0.90mm2 wire sizes.

\*WARNING ON INSTALLATION, SET WIRE DISC, ITEM 40 TO LARGEST WIRE SIZE SETTING. USE OF SETTINGS BELOW MINIMUM REQUIRED CRIMP HEIGHT SETTING WILL CAUSE DAMAGE TO CRIMP TOOLING.

- List of instructions: 1. RECOMMENDED SPARE PARTS, 2. GREASE BEARING SURFACES LIGHTLY, 3. LUBRICATE DAILY PER THE APPLICATOR INSTRUCTION SHEET SUPPLIED WITH THE APPLICATOR, etc.

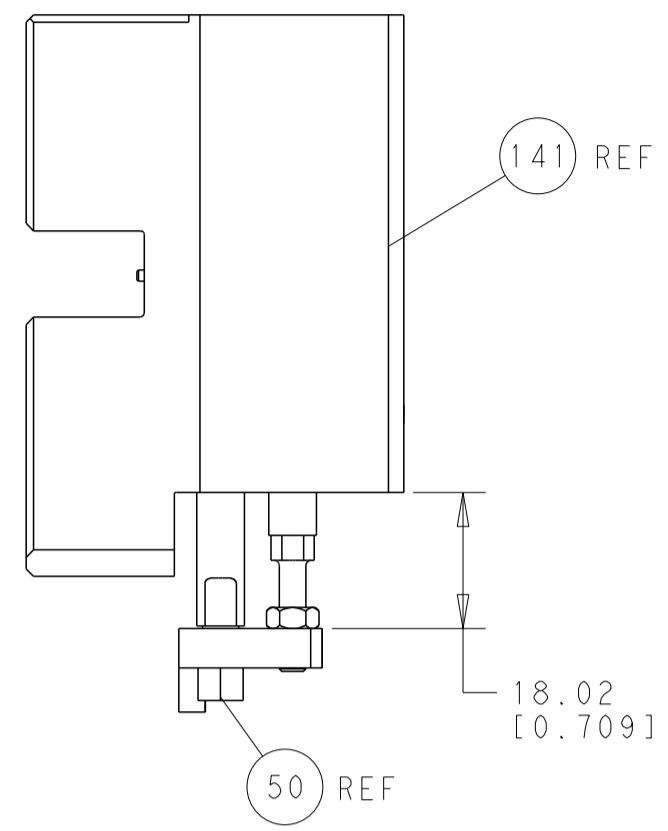
Table with columns: PART NO, DESCRIPTION, ITEM NO. Lists items like FINE ADJUST HEAD ASM, PUSH ROD, BUSHING.

PACIFIC VERSION Shown on sheets 3 of 4 & 4 of 4 (Atlantic version shown on sheets 1 of 4 & 2 of 4)

Large table listing parts with columns: QTY, PART NO, DESCRIPTION, QTY. Includes items like SPRING, CAM, WASHER, RETAINER, SHCS, MECHANICAL FEED ASSEMBLY, etc.

Technical drawing footer including DIMENSIONS, TOLERANCES, MATERIAL, FINISH, and customer information for STE TE Connectivity.

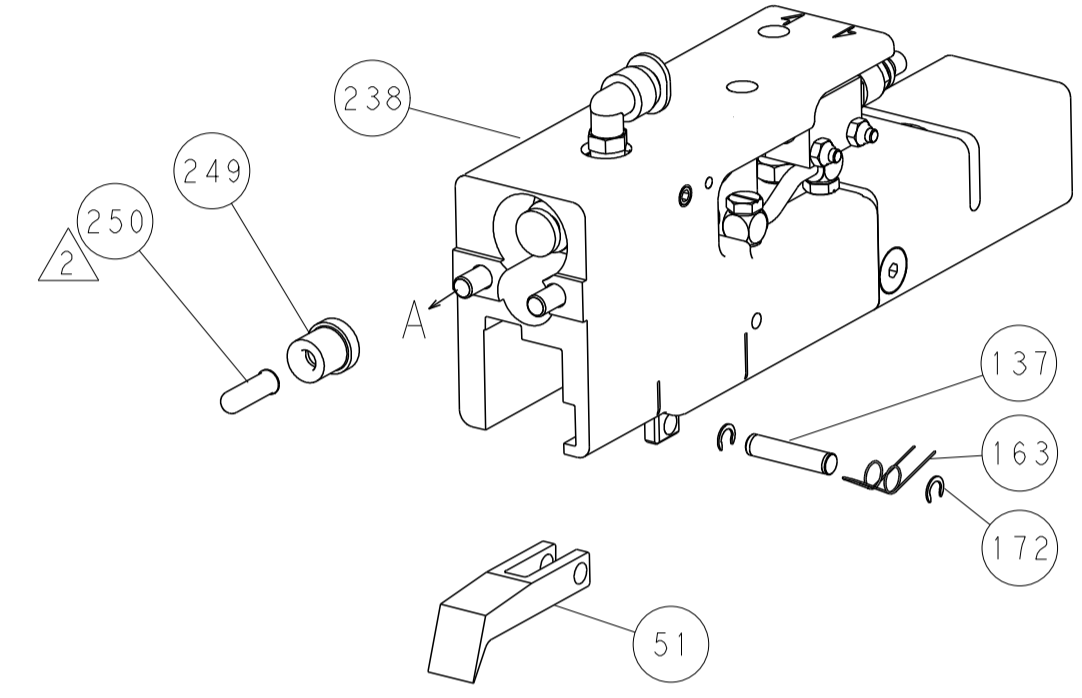
LOC		DIST		REVISIONS			
P	LTR	DESCRIPTION	DATE	DWN	APVD		
A	66	SEE SHEET 1					



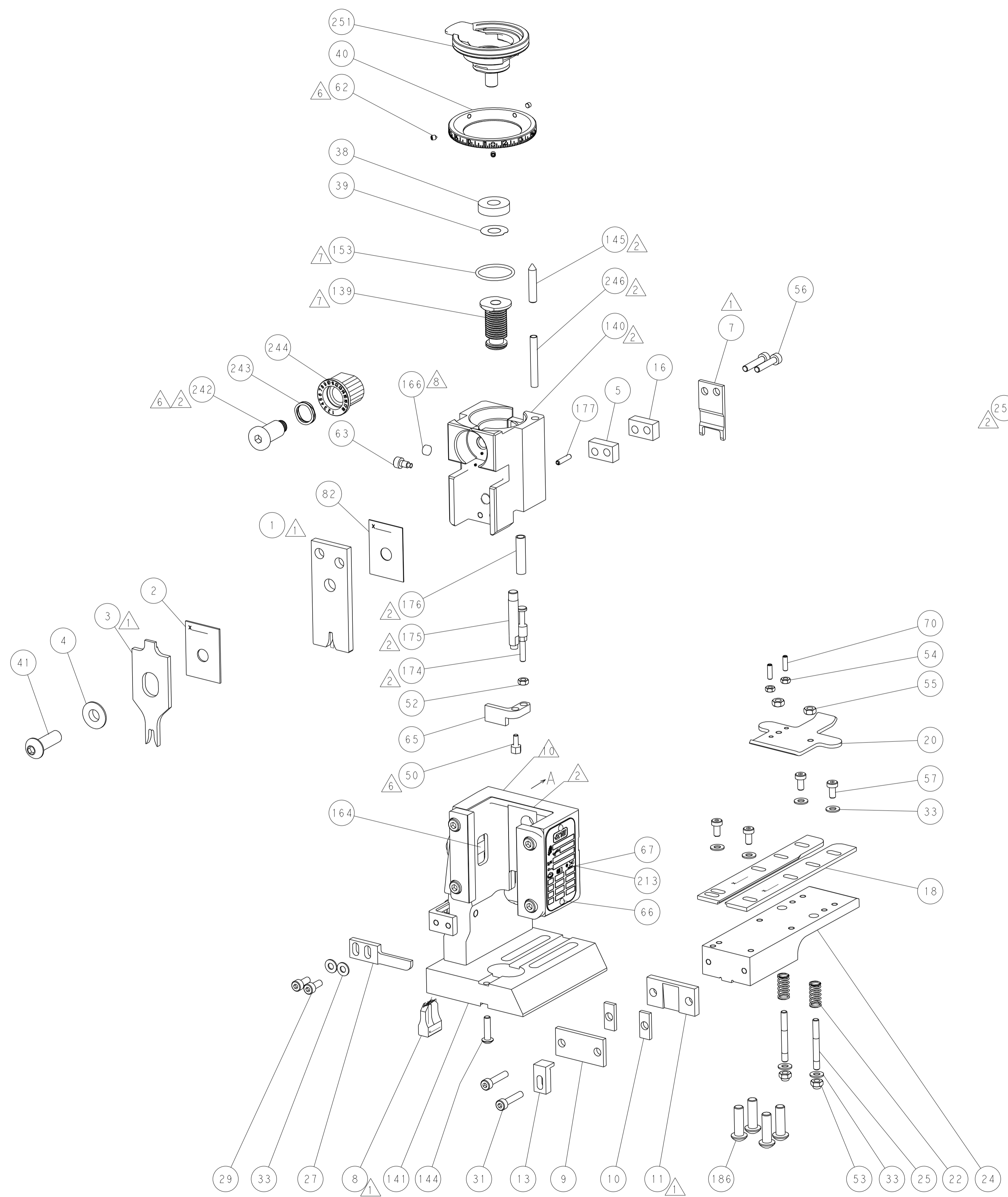
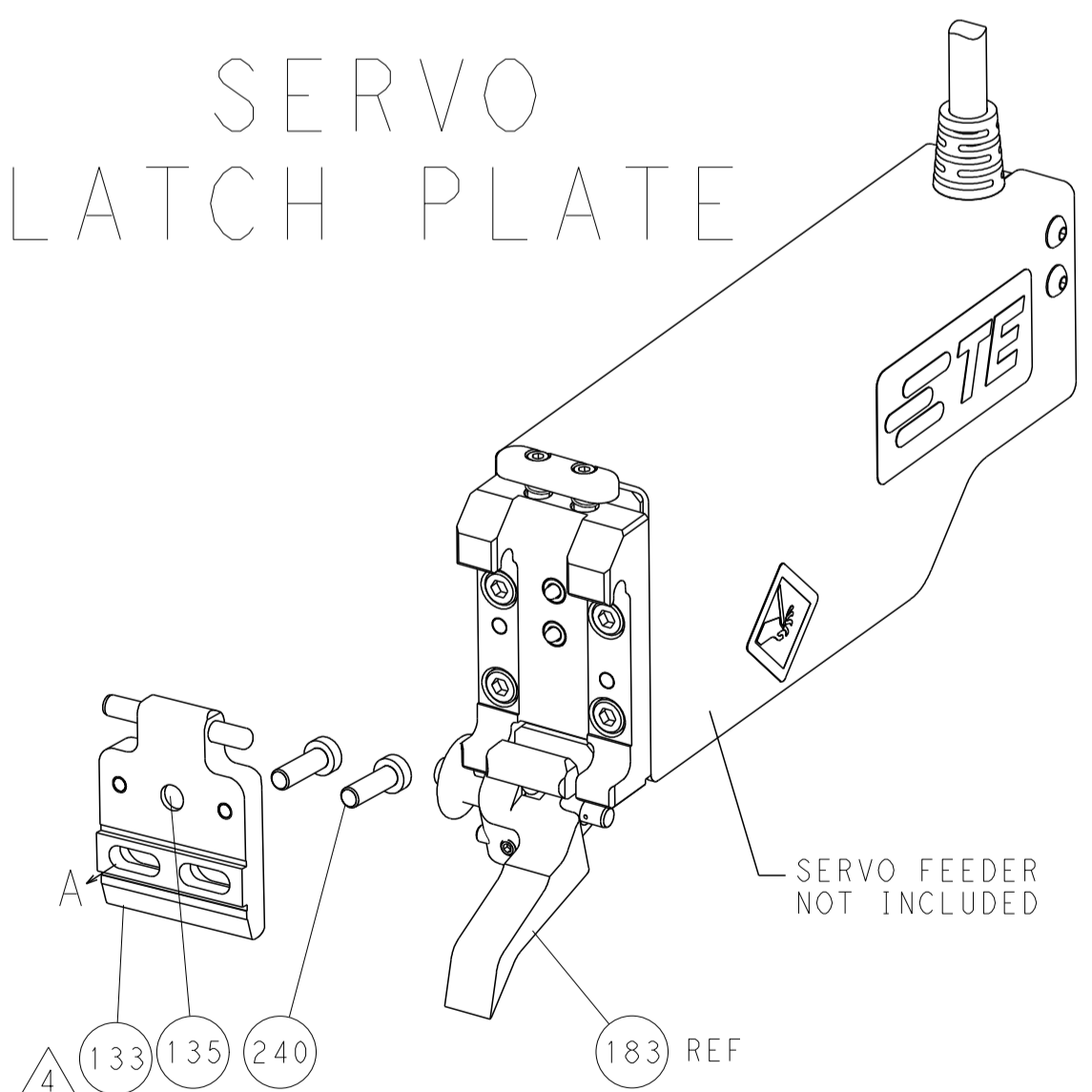
HOLDDOWN SET-UP

FEED TYPE

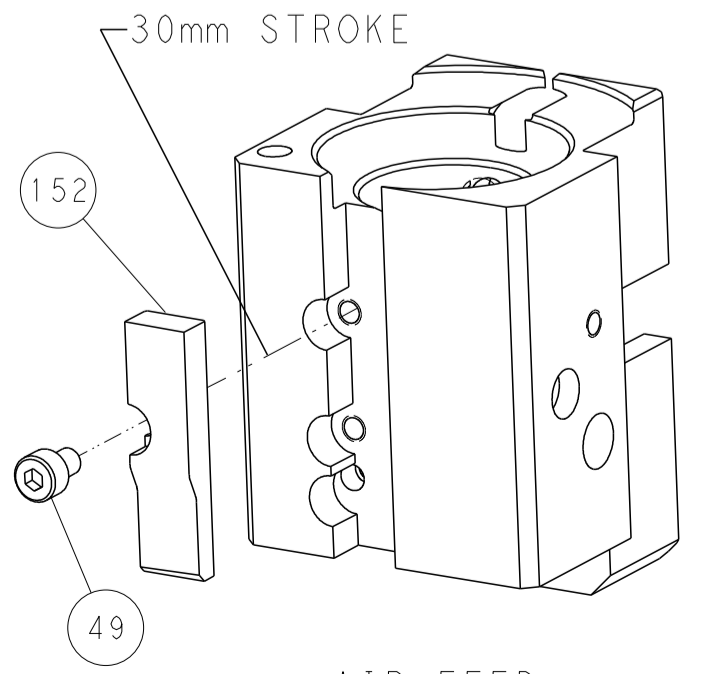
PNEUMATIC



SERVO LATCH PLATE



CAM POSITION



AIR FEED

**PACIFIC VERSION**  
 Shown on sheets 3 of 4 & 4 of 4  
 (Atlantic version shown on sheets 1 of 4 & 2 of 4)

DIMENSIONS:		TOLERANCES UNLESS OTHERWISE SPECIFIED:		DWN Y. YIN 01AUG2013		CHK G. BAILEY 01AUG2013		APVD U. GUO 01AUG2013		NAME	
mm		0 PLC ±.5		1 PLC ±0.5		2 PLC ±0.13		3 PLC ±0.013		4 PLC ±0.001	
MATERIAL		FINISH		REIGHT		SCALE		SHEET		REV	
						1:1		4 OF 4		A1	



Ocean End Feed Applicator

Customer Accessible Production Drawing