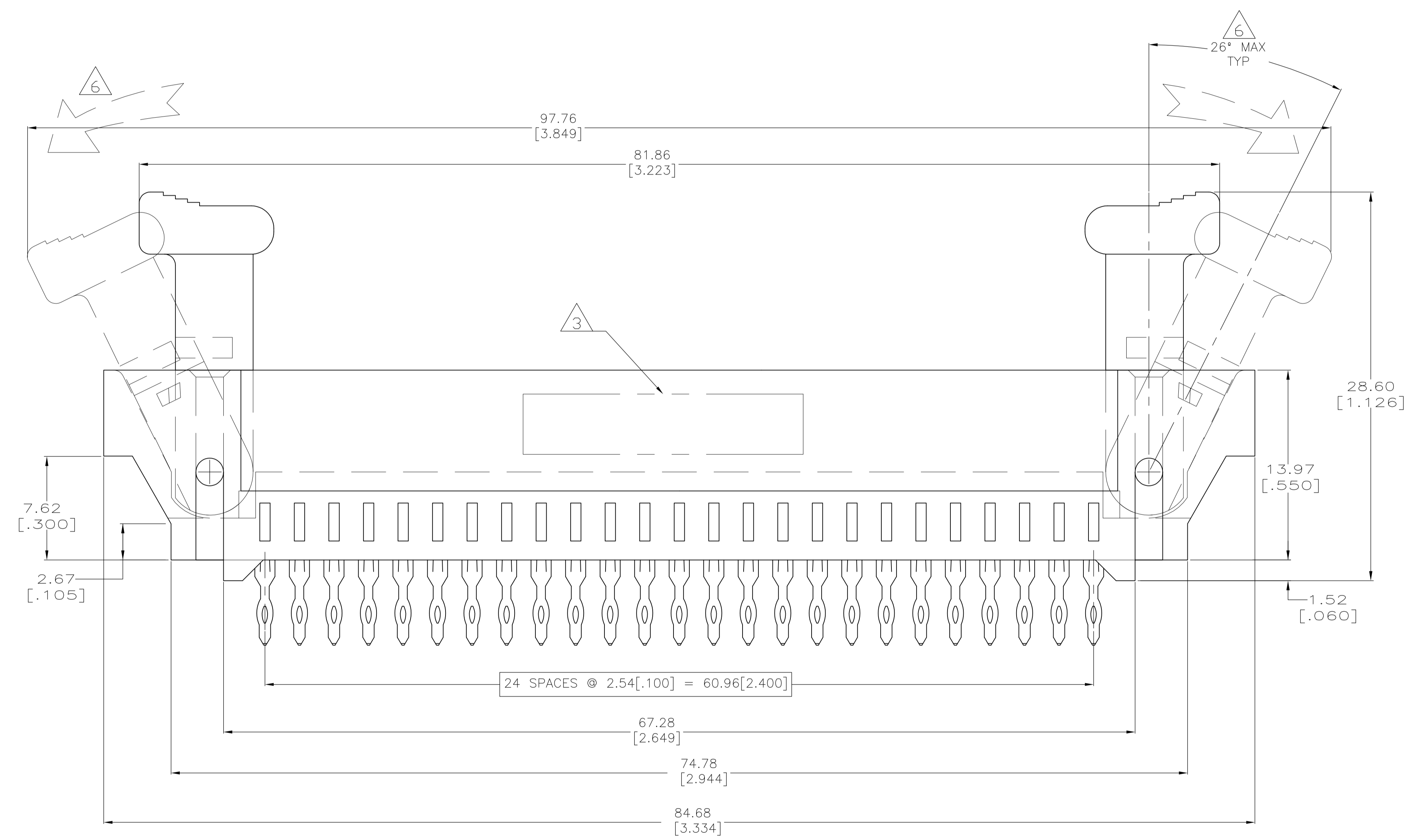
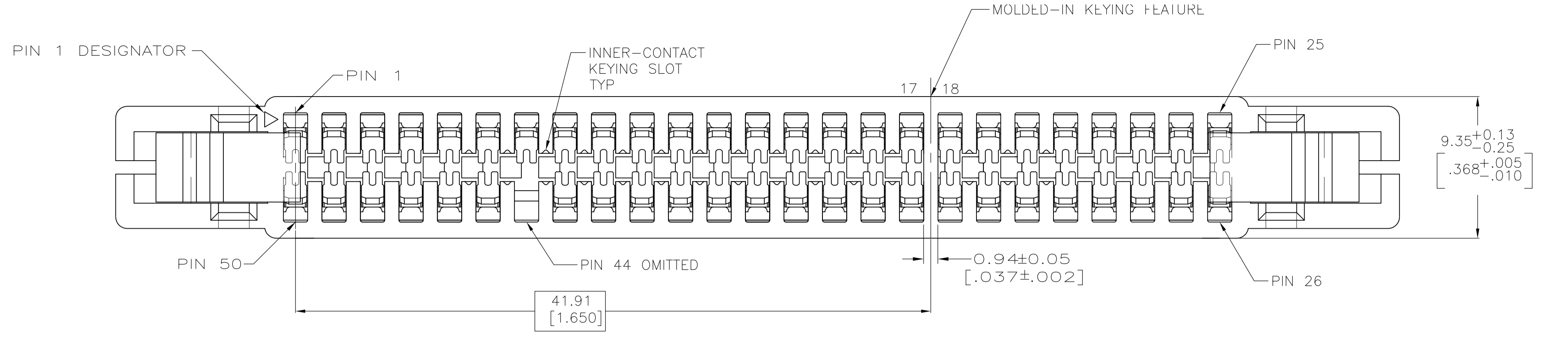
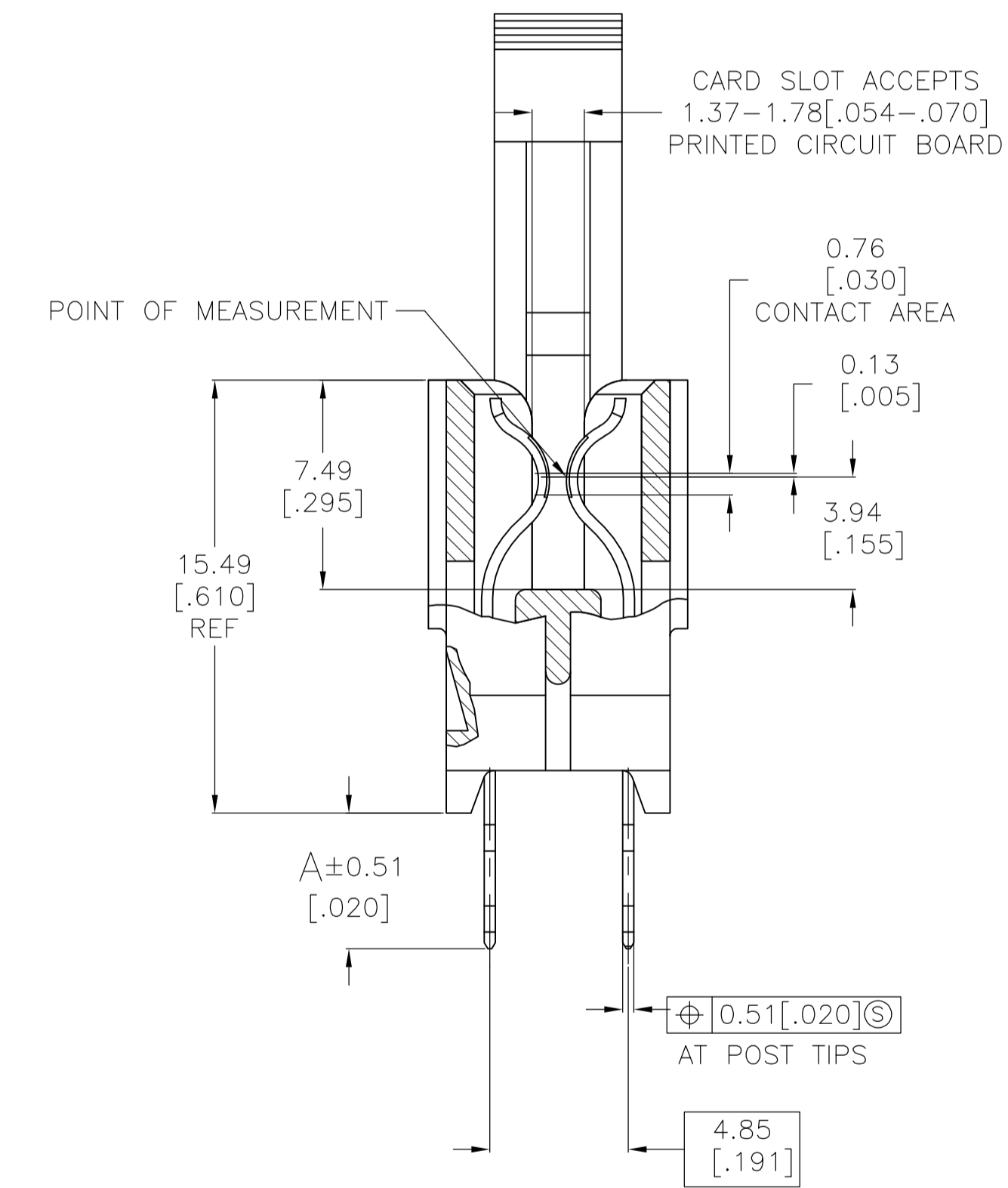


LOC		DIST		REVISIONS			
P	LTR	DESCRIPTION	DATE	DMN	APVD		
C		ECO-07-029491	04MAR2008	LAM	AWF		
C1		REVISED PER ECO-09-024927	10NOV09	KK	AEG		



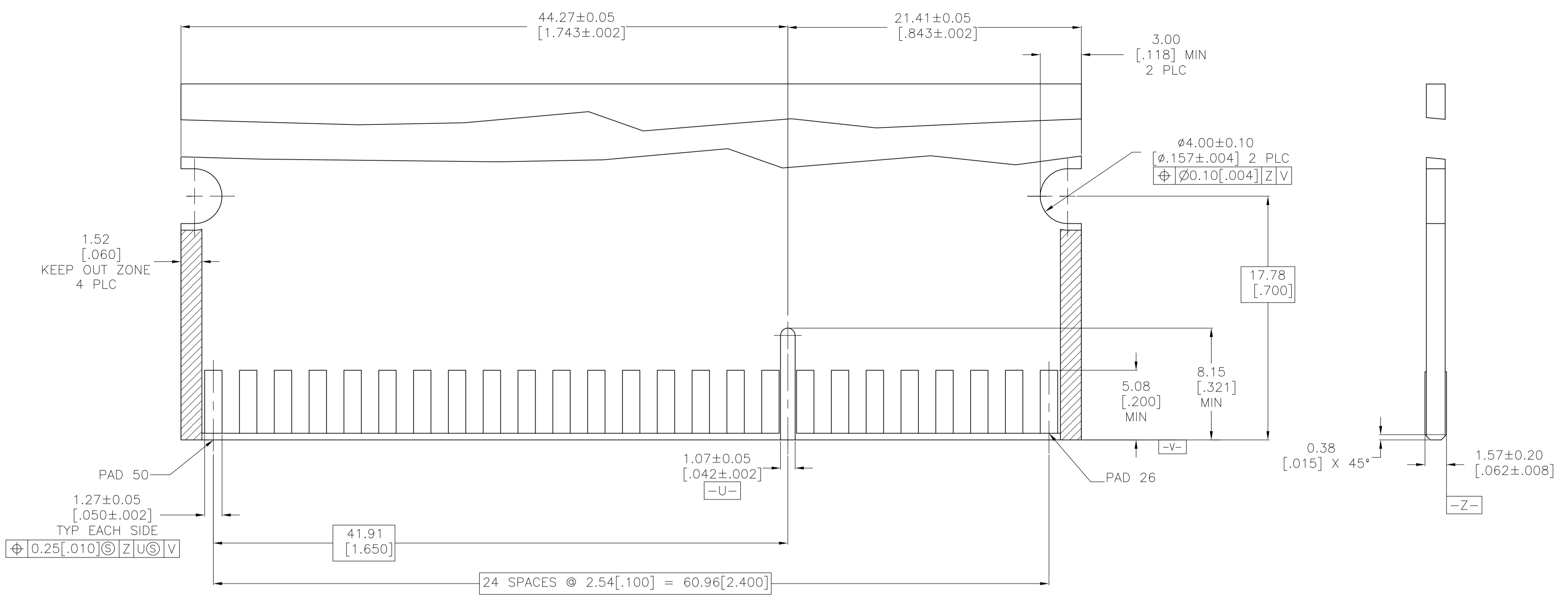
- MATERIAL:
HOUSING: GLASS FILLED POLYESTER; COLOR: BLACK.
CONTACT: HIGH CONDUCTIVITY COPPER ALLOY
LATCH: GLASS FILLED POLYESTER, COLOR: BLACK
- FINISH:
0.00076[.000030] MIN GOLD PLATE IN CONTACT AREA,
0.00254[.000100] MIN MATTE TIN ON SOLDER POSTS, ALL
OVER 0.00127[.000050] MIN NICKEL
- AMP LOGO, TE PART NUMBER, DATE CODE AND CSA LOGO INK STAMPED WHITE (HOT STAMPED OR LAZER PRINTED) IN THE APPROXIMATE AREA SHOWN, EITHER SIDE PERMISSABLE, WHEN HOUSING SIZE PERMITS
- DATUMS AND BASIC DIMENSIONS ESTABLISHED BY CUSTOMER
- CONNECTORS SHOWN ARE USED IN APPLICATIONS WITH VRM MODULES WEIGHING 3 OUNCES OR LESS. ALTERNATE CONNECTOR AND LATCH METHOD IS AVAILABLE FOR VRM MODULES WEIGHING UP TO 6 OUNCES.
- CAUTION: LATCHES ARE INTENDED FOR RETENTION OF PC BOARD TO CONNECTOR, DO NOT ATTEMPT TO FULLY EJECT PC BOARD FROM CONNECTOR WHILE DISENGAGING LATCHES. DAMAGE TO LATCHES AND/OR CONNECTOR MAY OCCUR
- RECOMMENDED FINISHED HOLE SIZES:
TIN PLATED HOLE - $\varnothing 1.02 \pm 0.08 [\varnothing 0.040 \pm .003]$
GOLD PLATED - $\varnothing 1.07 \pm 0.05 [\varnothing 0.042 \pm .002]$
- OBSOLETE PARTS: OBSOLETE CIS STREAMLINING PER D.RENAUD/D.SINISI



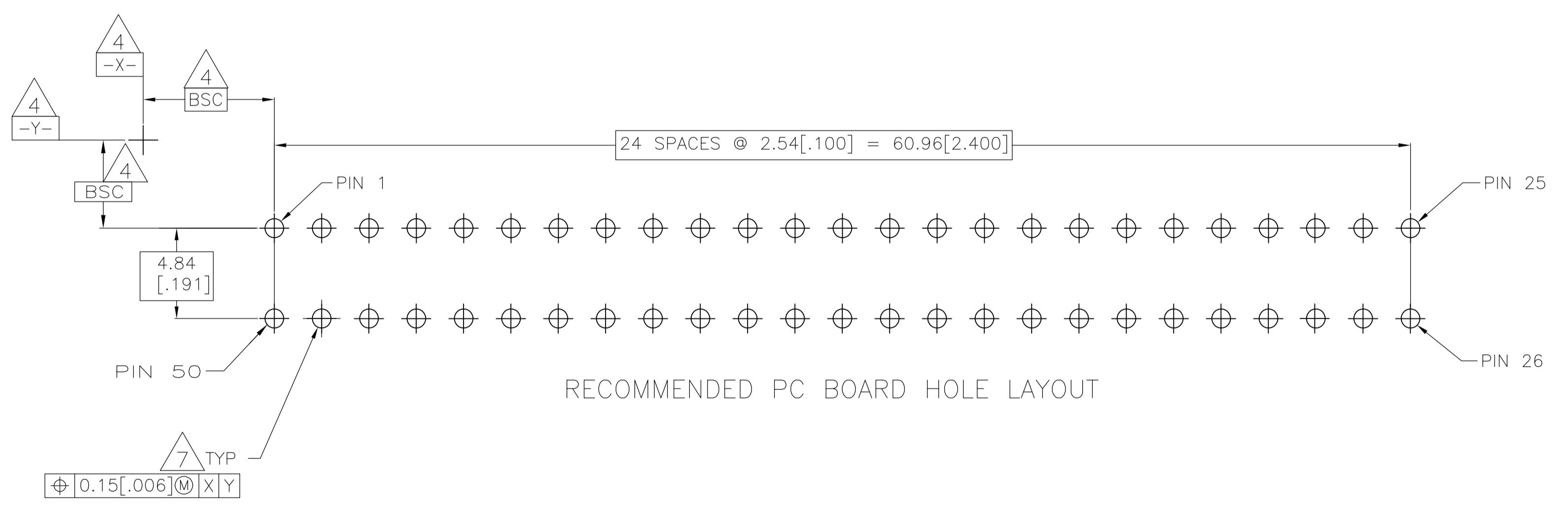
OBSOLETE	6489649-3
OBSOLETE	6489649-2
	PART NUMBER

8	OBSOLETE	8.5, +12v	4.75 [.187]	25	-6489649-4-
		8.5, +12v	3.18 [.125]	25	6489649-1
	VRM DESIGNATION	A	NO OF POSITIONS		PART NUMBER

THIS DRAWING IS A CONTROLLED DOCUMENT.		DIN AWF/L.A.MAYER 04MAR2008		Tyco Electronics Corporation Harrisburg, PA 17105-3608	
DIMENSIONS: mm [INCHES]		TOLERANCES UNLESS OTHERWISE SPECIFIED:		Tyco Electronics Corporation	
0 PLC ± -		1 PLC ± -		AWF/L.A.MAYER 04MAR2008	
2 PLC ± 0.13[.005]		3 PLC ± -		A.W.FRANTUM 04MAR2008	
4 PLC ± -		ANGLES ± ±		S.FLICKINGER 04MAR2008	
MATERIAL SEE NOTE 1		FINISH SEE NOTE 2		NAME	
				CONNECTOR ASSEMBLY, HIGH CURRENT CARD EDGE, DUAL POSITION, 2.54 [1.00] CENTERLINE	
				PRODUCT SPEC 108-9039-1	
				APPLICATION SPEC 114-13018	
				SIZE 114-13018	
				RESTRICTED TO	
				A1 00779 6489649	
				CUSTOMER DRAWING	
				SCALE 5:1 SHEET 1 OF 2 REV C1	



RECOMMENDED MATING BOARD EDGE CONFIGURATION



RECOMMENDED PC BOARD HOLE LAYOUT

THIS DRAWING IS A CONTROLLED DOCUMENT.		DIN AWF/L.A.MAYER 04MAR2008	Tyco Electronics Corporation Harrisburg, PA 17105-3608	
DIMENSIONS: mm [INCHES]		CHK A.W.FRANTUM 04MAR2008	NAME S.FLICKINGER 04MAR2008	
TOLERANCES UNLESS OTHERWISE SPECIFIED: 0 PLC ± - 1 PLC ± - 2 PLC ± 0.13[.005] 3 PLC ± - 4 PLC ± - ANGLES ± °		PRODUCT SPEC 108-9039-1 APPLICATION SPEC 114-13018		
MATERIAL SEE NOTE 1	FINISH SEE NOTE 2	WEIGHT -	SIZE A1	RESTRICTED TO 00779 6489649
CUSTOMER DRAWING		SCALE 5:1	SHEET 2 OF 2	REV C1