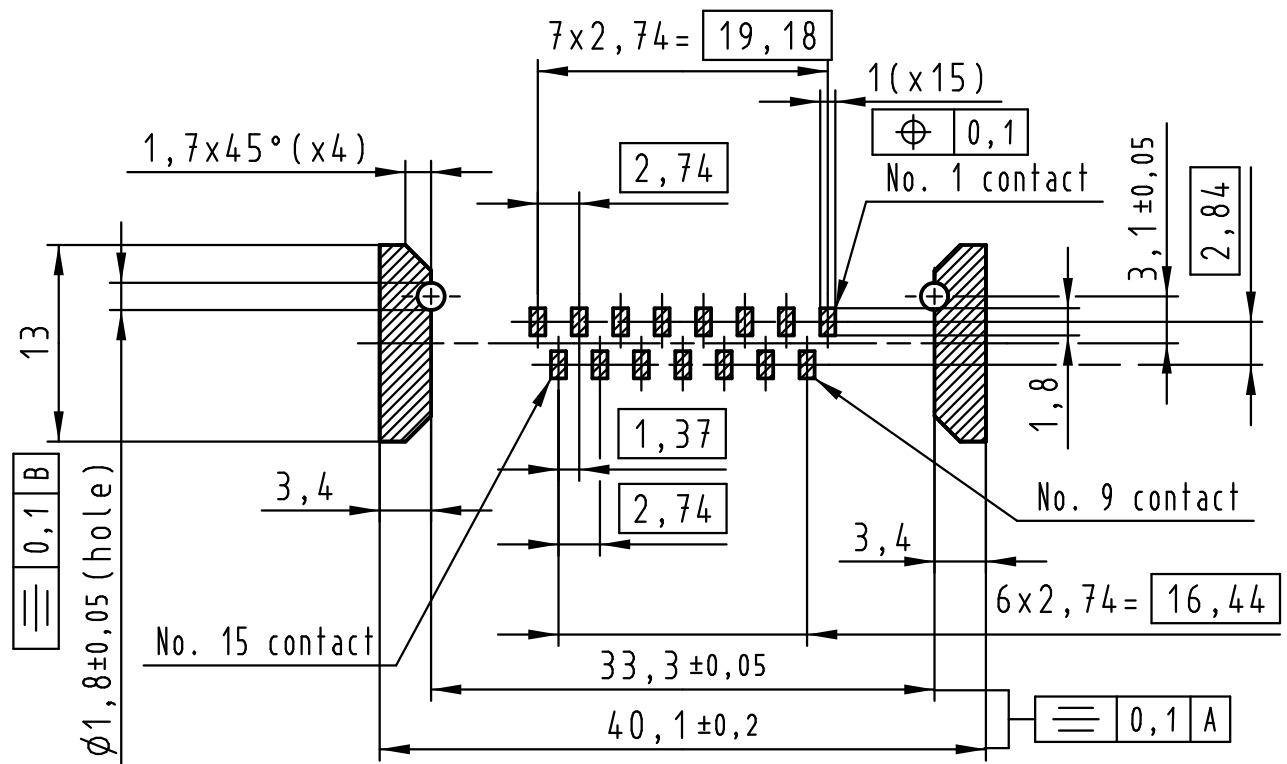
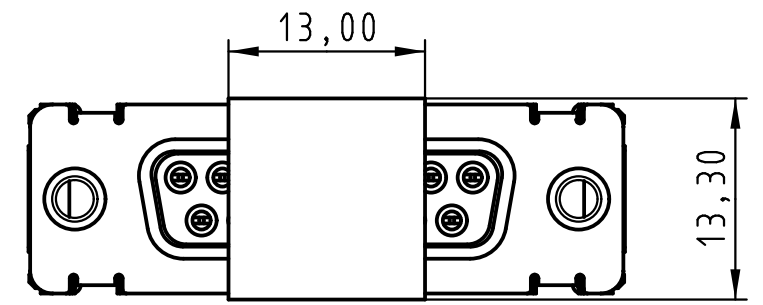
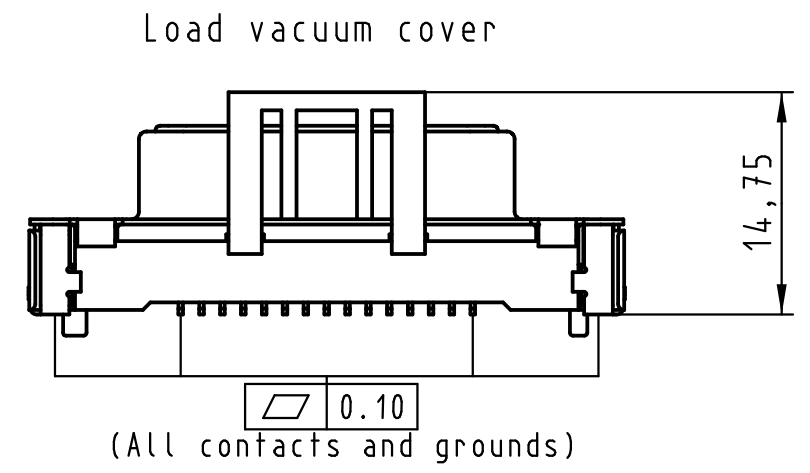
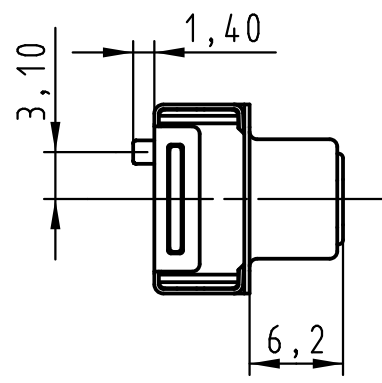
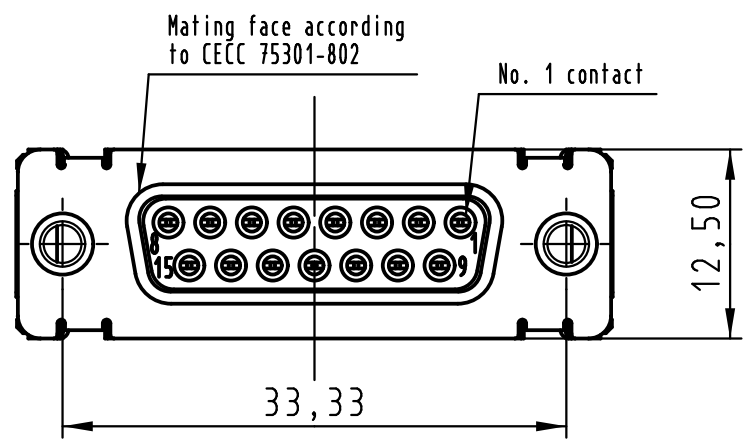
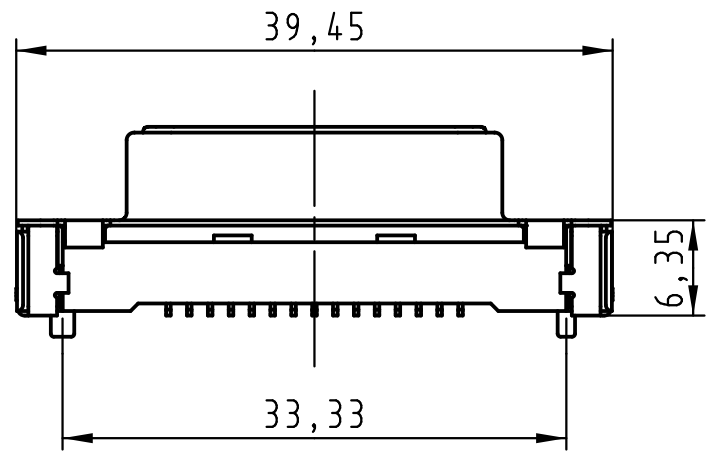


All rights reserved

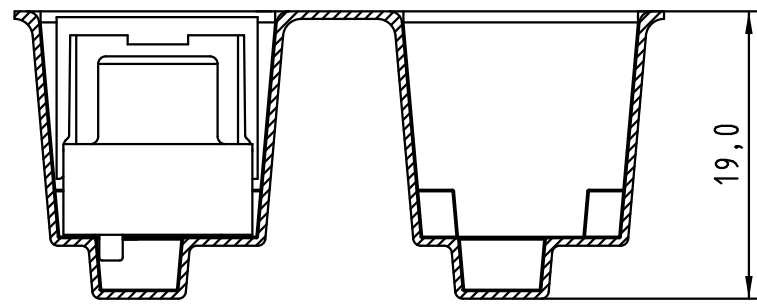


PCB layout, component side

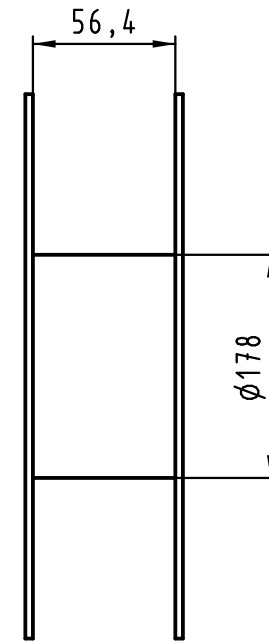
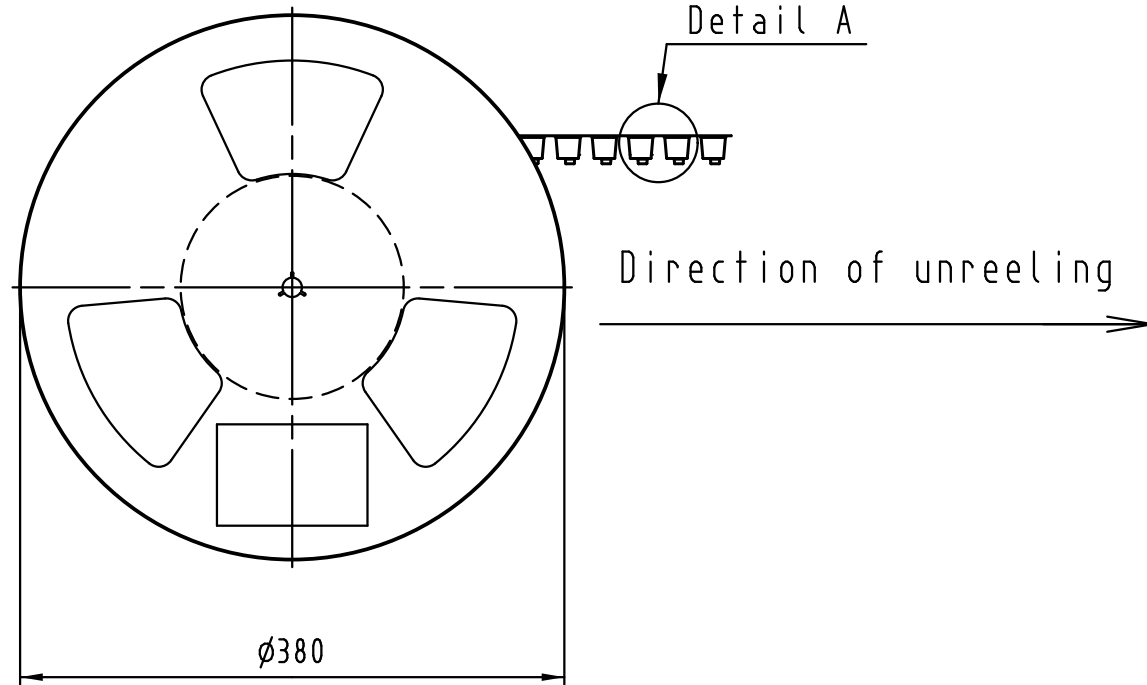
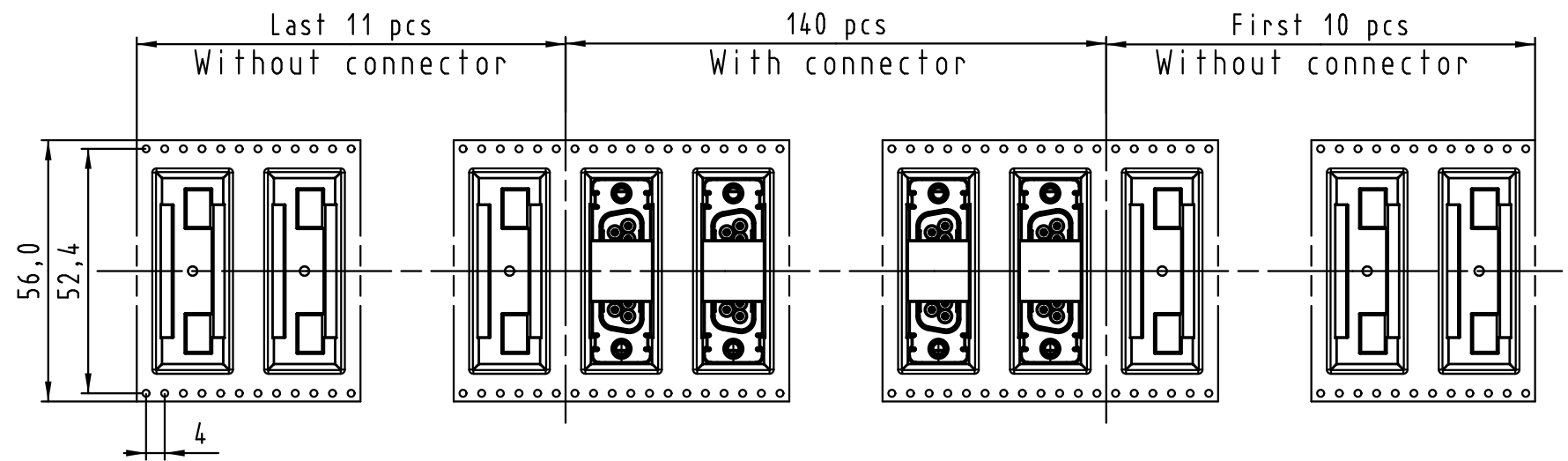
Max. Temperature: 260° during 10 seconds.

0955 215 3611 741	1	M3	Black insulator	Reel Packaging: 140 connectors (See details on page2/2)
0955 215 3612 741	1	4-40 UNC		
0955 215 6611 741	2	M3		
0955 215 6612 741	2	4-40 UNC		
0955 215 7611 741	3	M3		
0955 215 7612 741	3	4-40 UNC		

Part number		PL	Nut	Index designation	
All Dimensions in mm Original Size DIN A 3		Techn. Character.		Free size tolerances	
				D-Sub SMT, 15 poles Female, Straight with nuts and ground pads	
				2:1	
EC04070	17-Nov-11	Johnson.S	Zhuhai HARTING Limited		TB 09 55 215 x61x
Mod.	Dat.	Name	Sub.		Page 1/2



Detail A



See TB 09 55 215 x61x folio 1/2 for connector dimensions and PCB layout

Packaging in accordance with EIA 481-2.

0955 215 3611 741	1	M3	Black insulator	Reel Packaging: 140 connectors
0955 215 3612 741	1	4-40 UNC		
0955 215 6611 741	2	M3		
0955 215 6612 741	2	4-40 UNC		
0955 215 7611 741	3	M3		
0955 215 7612 741	3	4-40 UNC		
Part number	PL	Nut	Index designation	

	All Dimensions in mm Original Size DIN A 3			Techn. Character.			Free size tolerances			
					Dat.	Name	Scale			
				Detail.	25-Oct-11	Johnson.S	D-Sub SMT, 15 poles Female, Straight with nuts and ground pads			
				Insp.	17-Nov-11	Steven.W				
			Stand.	17-Nov-11	Steven.W					
EC04070	17-Nov-11	Johnson.S	Zhuhai HARTING Limited						TB 09 55 215 x61x	Page 2/2
Mod.	Dat.	Name				Sub.				

All rights reserved