

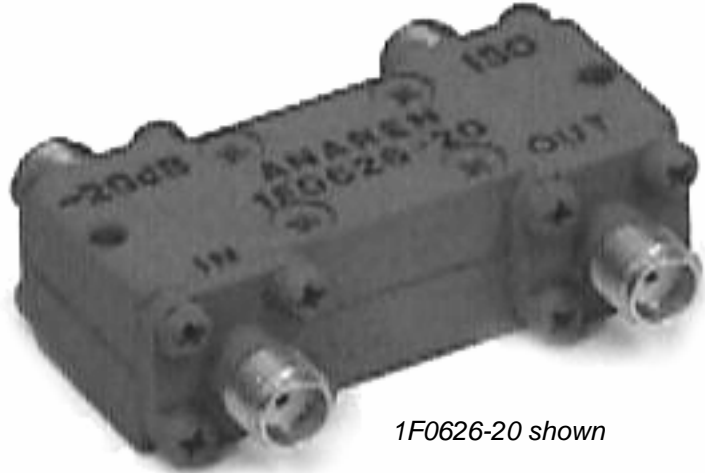
### Directional Couplers "H" Style

#### Applications

- Subassemblies
- Lab Systems
- Leveling Loops
- Power Monitoring
- Test and Calibration

#### Features

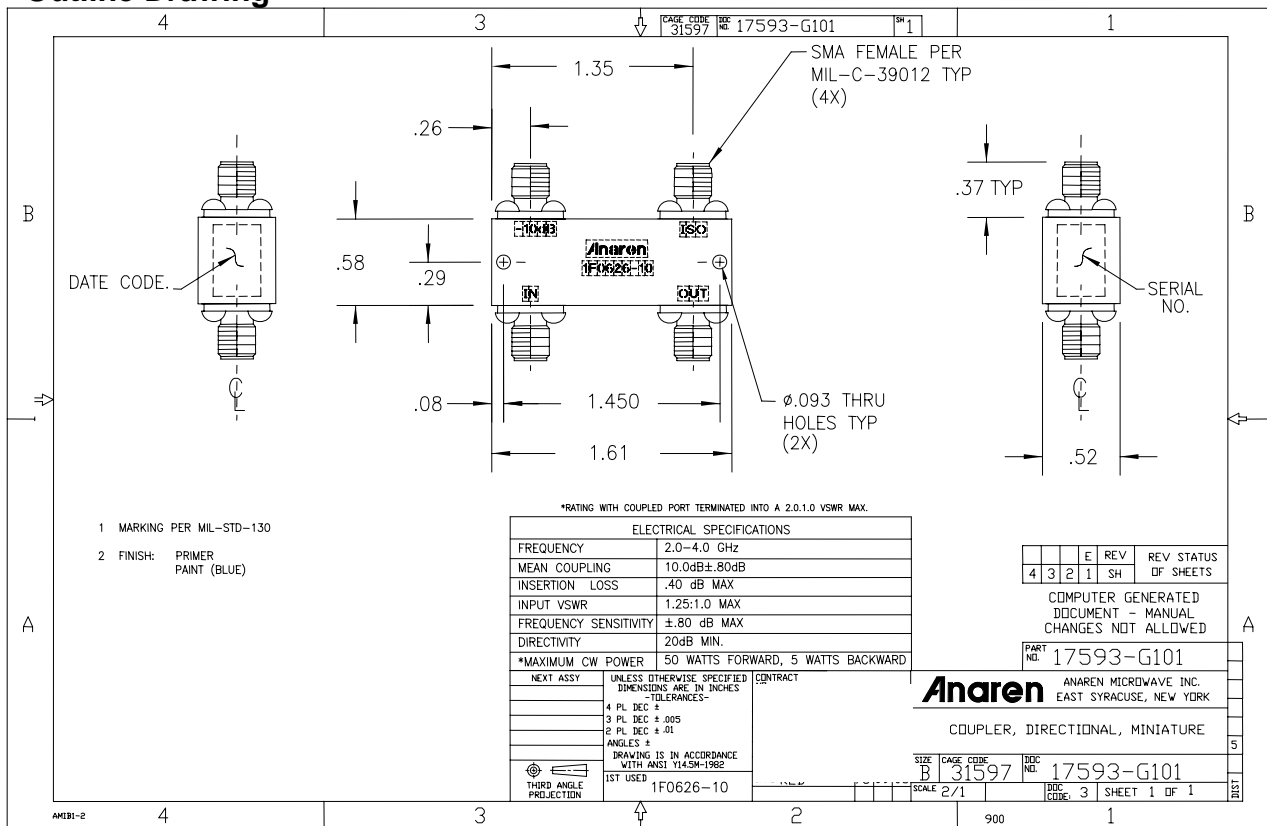
- Military Grade
- 2.0 – 4.0 GHz
- "H" Style Configuration
- Connectors Per MIL-C-39012
- Rugged Aluminum Housing
- High Directivity
- Meets MIL-E-5400 Class 3 Requirements



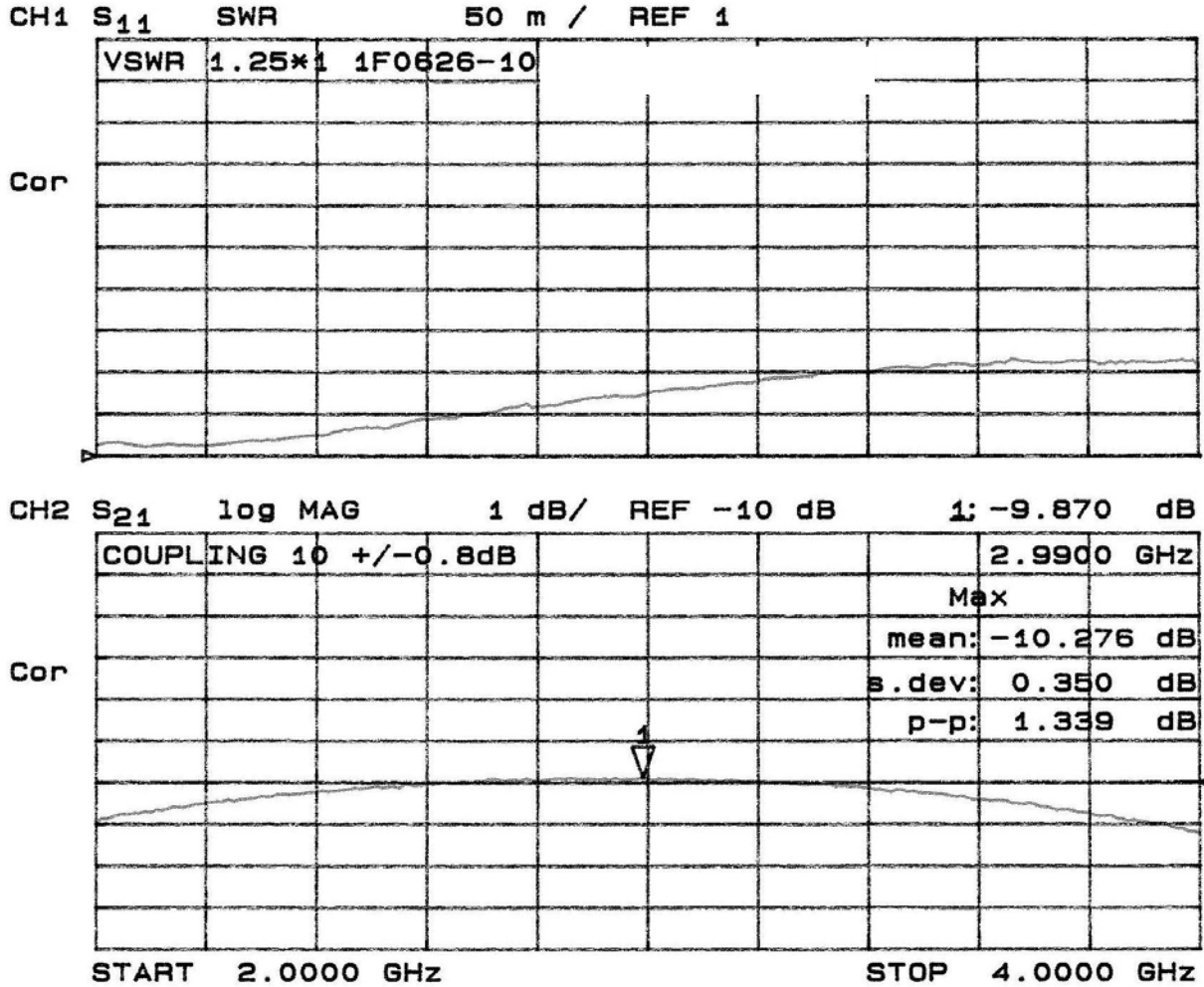
1F0626-20 shown

**NOTES:** The power rating applies when optional termination is supplied by Anaren and coupled port VSWR is 2.0:1 or less. Higher power can be handled with a lower VSWR termination  
Electrical and Mechanical Specifications subject to change without notice

#### Outline Drawing



Typical Test Data Plots



### Typical Test Data Plots

