

MATERIALS AND FINISHES

BODY: ZINC ALLOY
PLATED NICKEL

SOLDER TAIL(GROUND): COPPER OVER STEEL
PLATED TIN

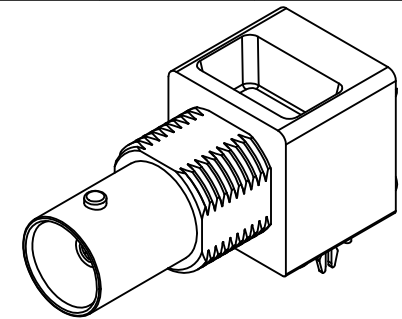
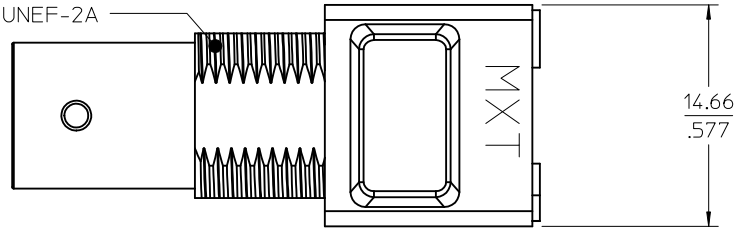
SOLDER TAIL(SIGNAL): COPPER OVER STEEL
PLATED GOLD

CENTER CONTACT: PHOSPHOR BRONZE
PLATED GOLD

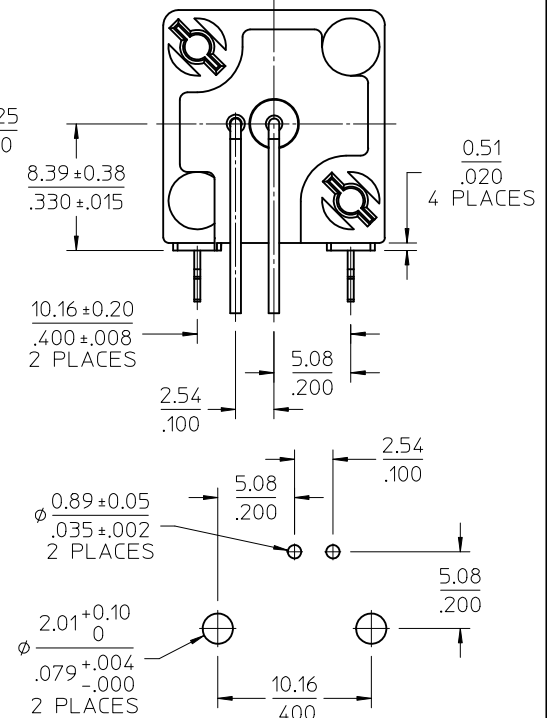
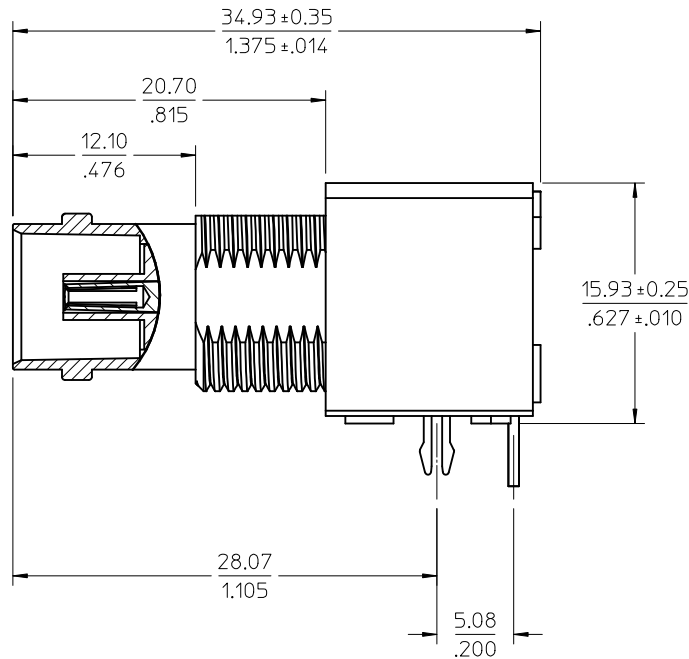
INSULATOR: POLYPROPYLENE (94V2)

BOARD LOCK: PHOSPHOR BRONZE
PLATED TIN

1/2-28 UNEF-2A



NOTE:
LEADS MAY NEED TO BE
ADJUSTED TO FIT PCB



5.54^{+0.08}₀
.218^{+0.003}_{-.000}

4.15±0.30
.163±.012
2 PLACES

5.32
.210

12.59
.496

3.38±0.30
.133±.012
2 PLACES

12.83^{+0.13}₀
∅ .505^{+0.005}_{-.000}

RECOMMENDED MOUNTING HOLE
PANEL THICKNESS: 5.40(.216) MAX
RECOMMENDED MOUNTING TORQUE:
1.36 N-m(12 INCH LBS) MAX

73171-4310	QTY (1) OF 73101-0040 IN SINGLE BAG WITH LABEL
73101-0040	BULK
PART NO.	PACKAGING

PS-89675-1030	PRODUCT SPECIFICATION
SPECIFICATION	DESCRIPTION

ORIGINALLY DRAWING BY WILSON 1996/03/01

CHG: ADD 73171-4310 EC NO: URF2012-0419 DRW: BOMALLEY 2012/01/17 CHK: AZR 2012/01/17 APPR: JWIENER 2012/01/24	QUALITY SYMBOLS ▽=0 ▽=0	GENERAL TOLERANCES (UNLESS SPECIFIED)	DIMENSION STYLE MM/IN	SCALE METRIC	DESIGN UNITS METRIC	THIRD ANGLE PROJECTION	
		4 PLACES ± --- ± --- 3 PLACES ± --- ± --- 2 PLACES ± --- ± --- 1 PLACE ± --- ± ---	DRAWN BY AROBERTSON	DATE 2011/07/29	TITLE BNC JACK, R/A PCB 75 OHM BOARD LOCKS BNC-J/PCB, EWR-1149		
		ANGULAR ± 2 °	CHECKED BY SSS	DATE 2011/07/29	MOLEX INCORPORATED		
		DRAFT WHERE APPLICABLE MUST REMAIN WITHIN DIMENSIONS	APPROVED BY JWIENER	DATE 2011/07/29	MATERIAL NO. SEE TABLE	DOCUMENT NO. SD-73101-0040	SHEET NO. 1 OF 1

THIS DRAWING CONTAINS INFORMATION THAT IS PROPRIETARY TO MOLEX INCORPORATED AND SHOULD NOT BE USED WITHOUT WRITTEN PERMISSION