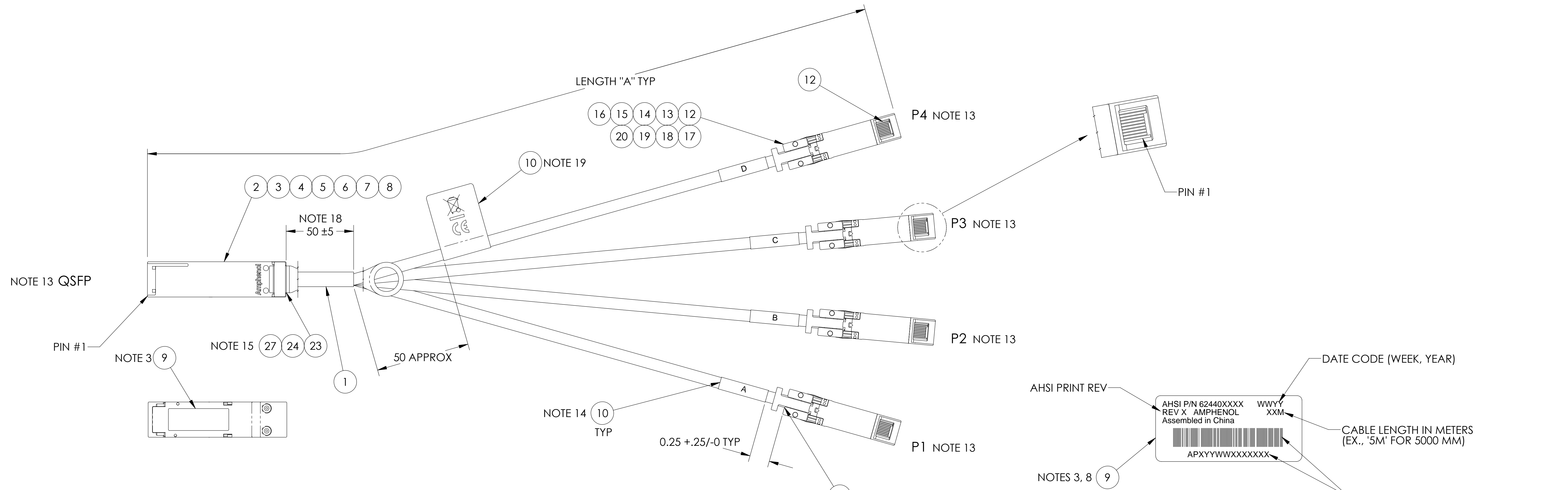


THE INFORMATION CONTAINED IN THIS DRAWING IS THE SOLE PROPERTY OF AMPHENOL INTERCONNECT PRODUCTS CORP. ANY REPRODUCTION OR DISCLOSURE, TO THIRD PARTIES, IN PART OR WHOLE, WITHOUT THE EXPRESS WRITTEN PERMISSION OF AMPHENOL INTERCONNECT PRODUCTS CORP. IS PROHIBITED.

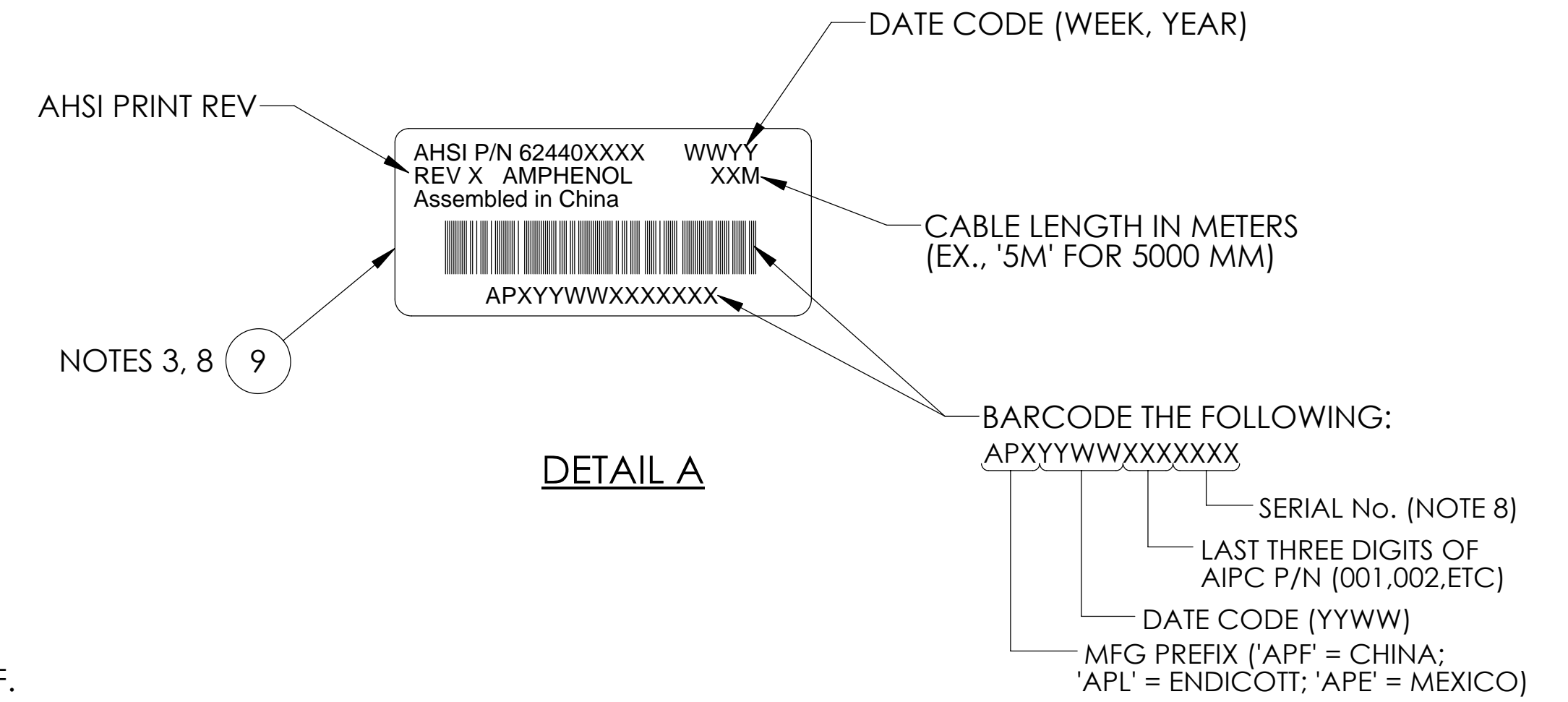
AIPC P/N	LENGTH "A"	ACD P/N	WIRE AWG (REF)	EPROM REV
624400001	1000 MM ±25 MM	SF-QSFP4SFPPS-001	30G	A
624400002	2000 MM ±50 MM	SF-QSFP4SFPPS-002	30G	A
624400003	3000 MM ±75 MM	SF-QSFP4SFPPS-003	30G	A
624400005	5000 MM ±125 MM	SF-QSFP4SFPPS-005	26G	A

REVISIONS			
REV.	DESCRIPTION	DATE	APPROVED
A	NEW RELEASE PER EO 304426	07/13	DEC



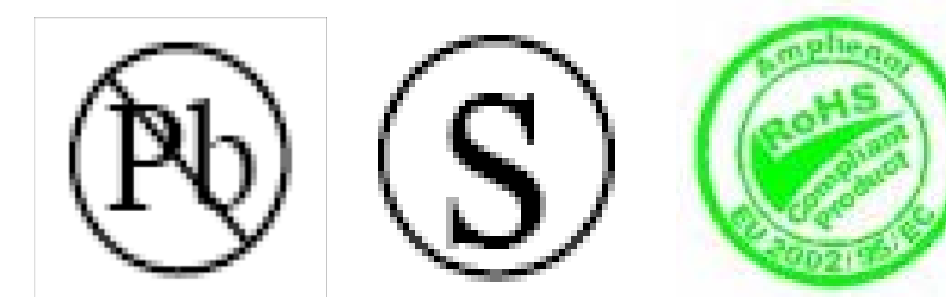
- THIS DRAWING IS RESERVED FOR AMPHENOL CABLES ON DEMAND.
- TEST COMPLETED ASSEMBLIES PER AMPHENOL SPEC CS-1155. TEST ASSEMBLIES AT 10.3125 Gb.
- A PRE-PRINTED LABEL WITH THE INFORMATION SHOWN IN DETAIL A IS POSITIONED WITHIN THE INDICATED AREA ON THE CABLE ASSEMBLY.
- THE FOLLOWING DATA SHALL BE PRINTED ON THE SHIPPING CARTON IN BOTH HUMAN READABLE AND BARCODE TEXT: AMPHENOL P/N, QTY, P.O. NUMBER AND COUNTRY OF ORIGIN.
- UL LABEL MUST BE ON THE SHIPPING CARTON PER SUBJECT 764 OF THE UL COMPONENT WIRING HARNESS (ZPFW2) FILE #E86140. CSA LABEL MUST BE ON SHIPPING CARTON.
- PACKAGE COMPLETED ASSY IN AN APPROPRIATELY SIZED ANTI-STATIC BAG. LABEL PER BAG LABEL DETAIL (SEE SHT 2).
- INSTALL DUST COVER OVER APPLICABLE CONNECTOR PRIOR TO SHIPMENT TO CUSTOMER.
- EPROM PROGRAM PER AMPHENOL SPEC CS-1154. EPROM SERIAL No. MUST MATCH CABLE LABEL SERIAL No.
- CAUTION: ANTI-STATIC CONTROL MEASURES MUST BE OBSERVED DURING THE MANUFACTURE OF THIS ASSEMBLY.
- POT MOLD ALL CABLE ENDS PER MFG PROCESS. USE UV EPOXY 3106 TO COVER CABLE TERMINATION AREAS.
- REF AMPHENOL SPEC CS-1182 FOR ACTUAL EQUALIZER VALUES.
- ALL MATERIALS USED IN THE MANUFACTURE OF THIS ASSEMBLY SHALL COMPLY WITH AMPHENOL REGULATED MATERIAL SPECIFICATION CS-1152.
- EACH CABLE END WILL HAVE A DIFFERENT EPROM PROGRAM.

- PERMANENTLY MARK LABELS WITH INDICATED TEXT. LOCATE AS CLOSE TO CONNECTORS AS PRACTICAL.
- WRAP ONE TURN OF COPPER TAPE (ITEM 23) OVER CABLE BRAID IN AREA OF STRAIN RELIEF. THEN WRAP ONE TURN OF COPPER TAPE (ITEM 23) OVER FOUR CABLE ENDS. ADD 10 MM OF SHK TBG (ITEM 27) OVERLAPPING COPPER TAPE. AFTER CLOSING ADD SHK TBG (ITEM 24) OVER CABLE BRAID AND JACKET AND UP AGAINST DIECAST HSG.
- WRAP ONE TURN OF COPPER TAPE (ITEM 25) AROUND SHK TBG AREA WHERE BRAID IS LOCATED BEFORE PULLING BACK CABLE BRAID.
- THIS DRAWING IS SIMILAR TO AMPHENOL DWG 60263XXXX.
- APPLY SHK TBG APPROX AS SHOWN. ALL FOUR CABLE LEGS MUST BE CAPABLE OF MAKING A 90° BEND AT A DISTANCE OF 50 MM FROM THE REAR OF THE BACKSHELL.
- PERMANENTLY MARK LABEL WITH 'WEEE' LOGO AND 'CE' LOGO, REF AHSI SPEC CS-1210. A ROHS2 CERTIFICATE OF COMPLIANCE MUST BE INCLUDED IN EACH SHIPPING CARTON.
- SOLDER PER AMPHENOL CS-1186 (LEAD FREE SOLDER).



SPECIFICATION CONTROL DRAWING

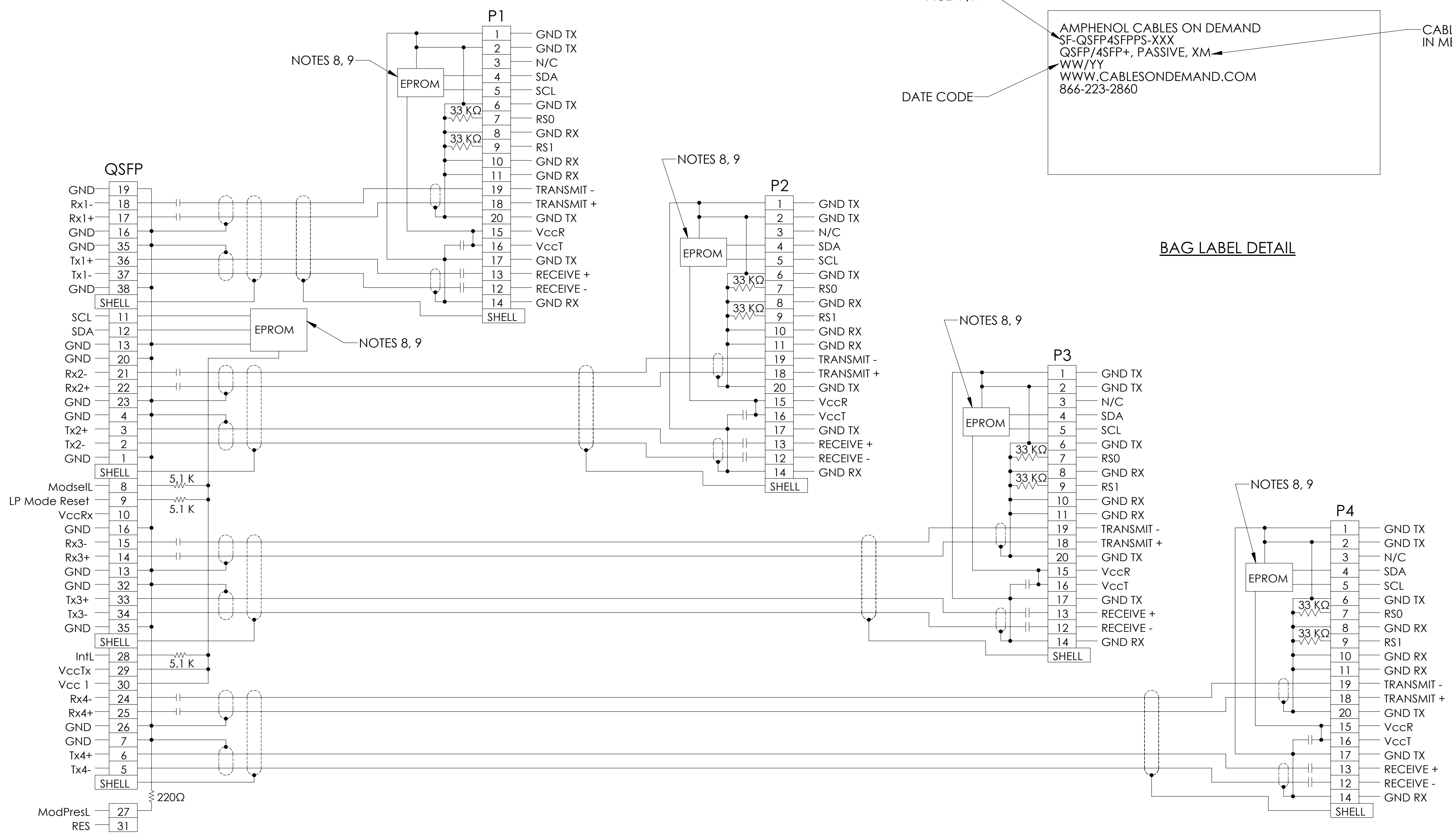
UNLESS OTHERWISE SPECIFIED DIMENSIONS ARE IN INCHES TOLERANCES ARE:		EAR NO. AMPH7006-003A		Amphenol Interconnect Products Corp. 20 Valley St. Endicott, NY, 13760	
DECIMALS	ANGLES	APPROVALS	DATE	CABLE ASSEMBLY, QSFP TO (4) SFP+, 100Q, RoHS	
.X ±.X	±.5°	DRAWN D.CASHIMERE	07/13		
.XX ±.01		CHECKED			
.XXX ±.005		RESP ENG		SIZE DWG. NO. 62440XXXX	
THIRD ANGLE PROJECTION		MFG ENG		REV. A	
CAD FILE: S:\SolidWorks\PE 5 DIGIT NO\62440		SCALE 1:1		SHEET 1 OF 2	



NOTES: UNLESS OTHERWISE SPECIFIED

THE INFORMATION CONTAINED IN THIS DRAWING IS THE SOLE PROPERTY OF AMPHENOL INTERCONNECT PRODUCTS CORP. ANY REPRODUCTION OR DISCLOSURE, TO THIRD PARTIES, IN PART OR WHOLE, WITHOUT THE EXPRESS WRITTEN PERMISSION OF AMPHENOL INTERCONNECT PRODUCTS CORP. IS PROHIBITED.

REV.		DESCRIPTION	DATE	APPROVED
SEE SHT # 1 FOR REVISIONS				



NOTE: DC BLOCKING CAP VALUE IS 0.1μF

ACD P/N
 DATE CODE
 AMPHENOL CABLES ON DEMAND
 SF-QSFP4SFPPS-XXX
 QSFP/4SFP+, PASSIVE, XM
 WW/YY
 WWW.CABLESONDEMAND.COM
 866-223-2860
 CABLE LENGTH
 IN METERS

BAG LABEL DETAIL

Amphenol Interconnect Products Corp.
 20 Valley St. Endicott, NY, 13760

CABLE ASSEMBLY,
 QSFP TO SFP+ (4),
 100Ω, RoHS

SIZE	DWG. NO.	REV.
D	62440XXXX	A

SCALE 1:1 SHEET 2 OF 2