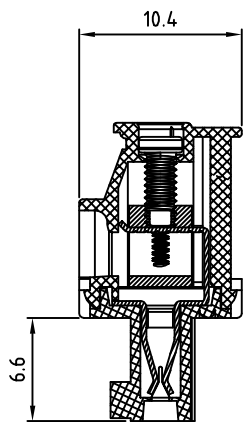
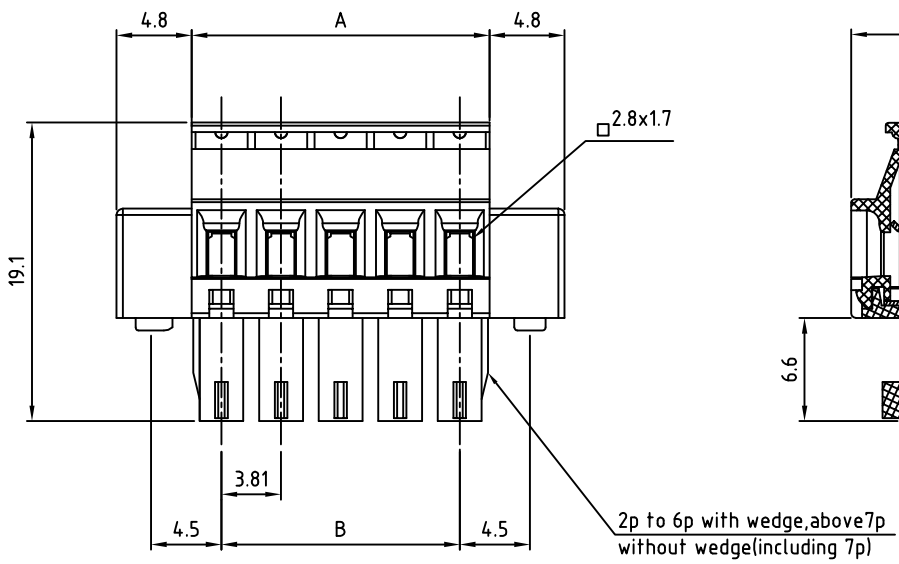
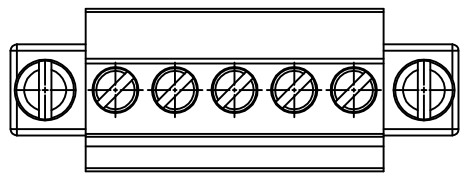


| | | | |
|--|------|-------------|----------|
| SIGN | DATE | DESCRIPTION | APPROVER |
| | | | |
| THIS IS CAD DRAWING, DO NOT REVISE MANUALLY!!! | | | |



Material

- Terminal body (metal housing): Brass (CuZn)
- Terminal screw: Steel Zinc plating "-" slot type
- With flange screw: steel M2.5
- Wire guard: PhBz Tin plated
- Insulator (housing): Thermoplastic (UL94V-0)

Electrical cULus/VDE

- Voltage rating: 300V/300V
- Current rating: 8A / 10A
- Wire range: 1.5mm²
Solid wire (AWG): 16-28
Stranded wire (AWG): 16-28
- Torque: 1.7Lb-In / 0.2N.m
- Screw: M2
- Wire strip length: 6-7mm
- Withstanding Voltage: 1.6KV / 2.5KV
- Operating temperature: -30° C to +105° C
- Safety approval: us

RoHS Compliant

PART NUMBER:

OSTTSXX315C

| No. of Poles | COLOR |
|--------------|---------------------|
| 02 2 Poles | 0: Black |
| 03 3 Poles | 5: Green (Standard) |
| | 6: Blue |
| 24 24 Poles | 8: Grey |

N = Number of poles
DIMENSION

| | |
|---|------------|
| A | NX3.81 |
| B | (N-1)X3.81 |

THESE DRAWINGS AND SPECIFICATIONS ARE THE PROPERTY OF ON-SHORE TECHNOLOGY, INC. AND SHALL NOT BE REPRODUCED, COPIED OR USED IN ANY MANNER WITHOUT THE PRIOR WRITTEN CONSENT OF ON-SHORE TECHNOLOGY, INC.



| | | | | | | | |
|-----------------------|----------------------|---|----------------------|--------------|--|-----------------|--|
| TITLE | | OSTTS-3.81mm Series With flange (w/latching hooks on the wire entry side) | | | | | |
| PART NO. | | OSTTSXX315C | | DWG NO. | | OSTTSXX315C.DWG | |
| APPROVED | CHECKED | DESIGNED | DRAWN | CUST NO. | | Tolerance | |
| Shi Jun 2006.10.25 | Marvin 2005.10.25 | Marvin 2005.10.25 | Marvin 2005.10.25 | | | X. ±0.50 | |
| | | | | | | UNIT: mm | |
| | | | | | | SCALE: NONE | |
| | | | | SHEET: 01/01 | | REV: D | |
| | | | | | | X.XX ±0.10 | |
| | | | | | | X° ±1° | |