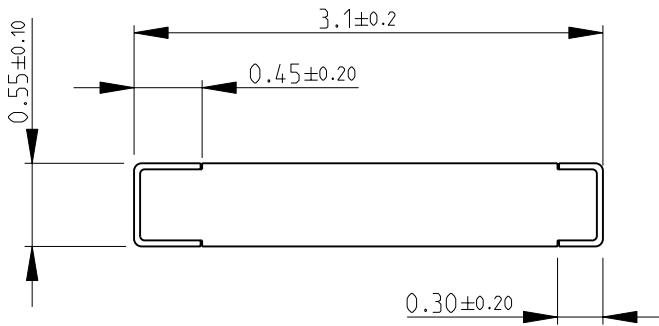
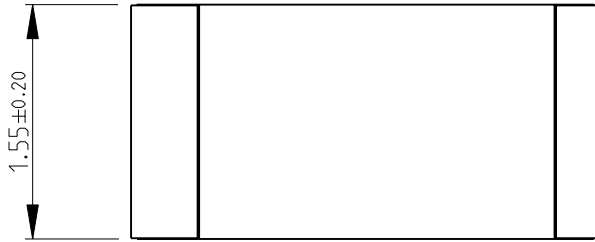
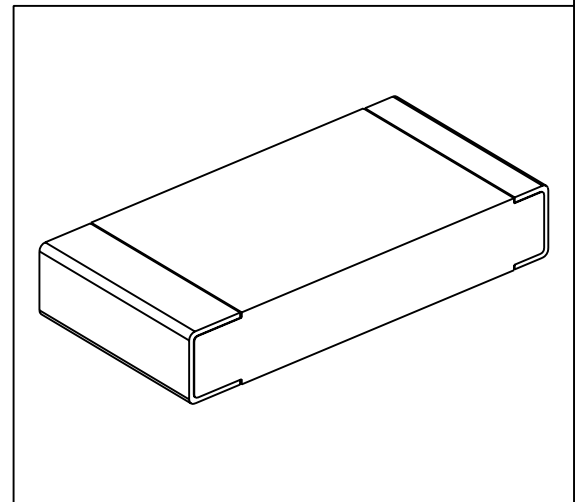


LOC		DIST		REVISIONS			
P	LTR	DESCRIPTION		DATE	DWN	APVD	
E	B	BA1	AS PER ECR-09-006166	17-MAR-09	SM	JC	

FOR FURTHER INFORMATION SEE DATA SHEET FOR  
CPF SERIES-THIN FILM PRECISION CHIP RESISTORS



RoHS Compliant



2008

RELEASED FOR PUBLICATION

THIS DRAWING IS UNPUBLISHED.

BY TYCO ELECTRONICS CORPORATION. ALL RIGHTS RESERVED.

© COPYRIGHT 2008

DIMENSIONS: mm	DWN	SUBHASH.M	22-Sep-08	MATERIAL	-	FINISH	-
	CHK	PRAKASH.S	22-Sep-08	Tyco Electronics Corporation Dorcan, Swindon, SN3 5HH			
TOLERANCES UNLESS OTHERWISE SPECIFIED:	APVD	STEPHEN.P	22-Sep-08				
	0 PLC	± 0.2	PRODUCT SPEC	-	SIZE	CAGE CODE	DRAWING NO
1 PLC	± 0.1	APPLICATION SPEC	-	A 4	00779	© = 1614722	-
2 PLC	± -	WEIGHT	-	CUSTOMER DRAWING			
3 PLC	± -			SCALE	20:1	SHEET	1 OF 1
4 PLC	± -			REV BA1			
ANGLES	± 5°						