

THIS DRAWING IS UNPUBLISHED. VERTRÄULICHE UNVERÖFFENTLICHTE ZEICHNUNG. RELEASED FOR PUBLICATION FREI FÜR VERÖFFENTLICHUNG. 2014. MATED WITH: PASSEND ZU: COPYRIGHT 2014 Tyco Electronics AMP GmbH. ALL RIGHTS RESERVED. ALLE RECHTE VORBEHALTEN.

PROJEKT NR.: PRJ-14-00000805

P	LTR	REVISIONS ÄNDERUNGEN DESCRIPTION BESCHREIBUNG	DATE	DWN	APVD
A2		DESCRIPTION CORRECTED FROM SOLDER TO SCREW TERMINAL IN TITLE BLOCK	13NOV2014	CR	JK
A3		WIRE SIZE 0.5mm2 DETAIL ADDED TO PN 5-2271122-2 IN TABLE.	17MAY2016	TJ	NG

TECHNICAL DATA	2-2271122-1	2-2271122-2	3-2271122-1	3-2271122-2	4-2271122-1	4-2271122-2	5-2271122-2	6-2271122-2
RATED VOLTAGE	250V	250V	250V	250V	125V	125V	60V	30V
RATED IMPULSE VOLTAGE	2500V	2500V	2500V	2500V	1500V	1500V	800V	500V
POLLUTION DEGREE	3	3	3	3	3	3	3	3
OVERVOLTAGE CATEGORY	II	II	II	II	II	II	II	II
MATERIAL GROUP	II	II	II	II	II	II	II	II
RATED CURRENT	4A	4A	4A	4A	4A	4A	2A	2A
VOLUME RESISTIVITY	≤ 8mΩ	≤ 8mΩ	≤ 8mΩ	≤ 8mΩ	≤ 8mΩ	≤ 8mΩ	≤ 3mΩ	≤ 3mΩ
DEGREE OF PROTECTION	IP67	IP67	IP67	IP67	IP67	IP67	IP67	IP67
UPPER TEMPERATURE	+85 °C	+85 °C	+85 °C	+85 °C	+85 °C	+85 °C	+85 °C	+85 °C
LOWER TEMPERATURE	-40 °C	-40 °C	-40 °C	-40 °C	-40 °C	-40 °C	-40 °C	-40 °C

- 1 MATERIAL: ITEM NO. 1: HOUSING - PBT  
ITEM NO. 2: CONTACT BODY - PA  
ITEM NO. 3: CONTACT - CuZn (brass)

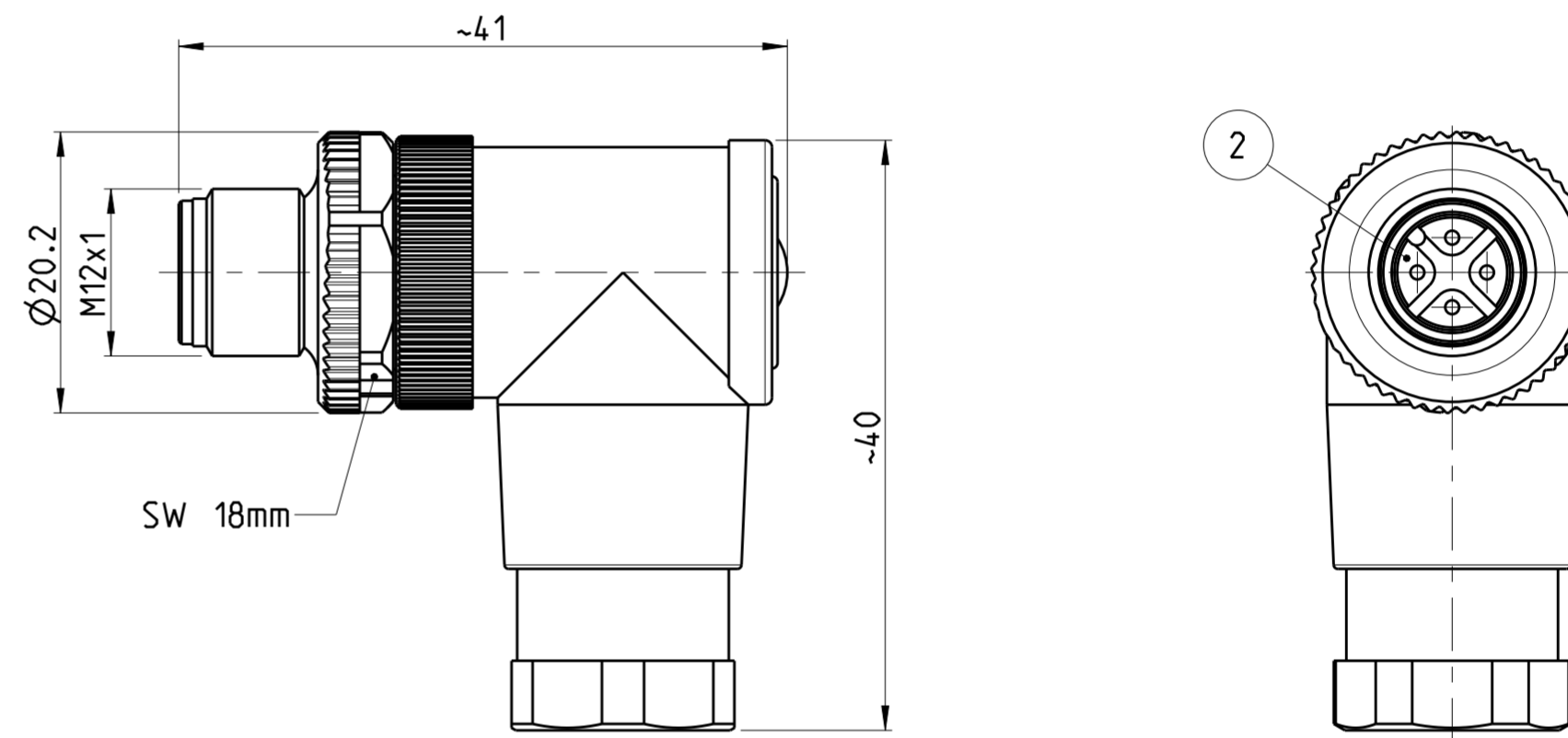
2 CONTACT FINISH - CuSnZn (Optalloy)

3 CONTACT FINISH - Au (gold)

4 ALL DIMENSIONS ARE FOR NOMINAL REFERENCE ONLY UNLESS OTHERWISE STATED

5 MEASUREMENT REFERENCE ONLY

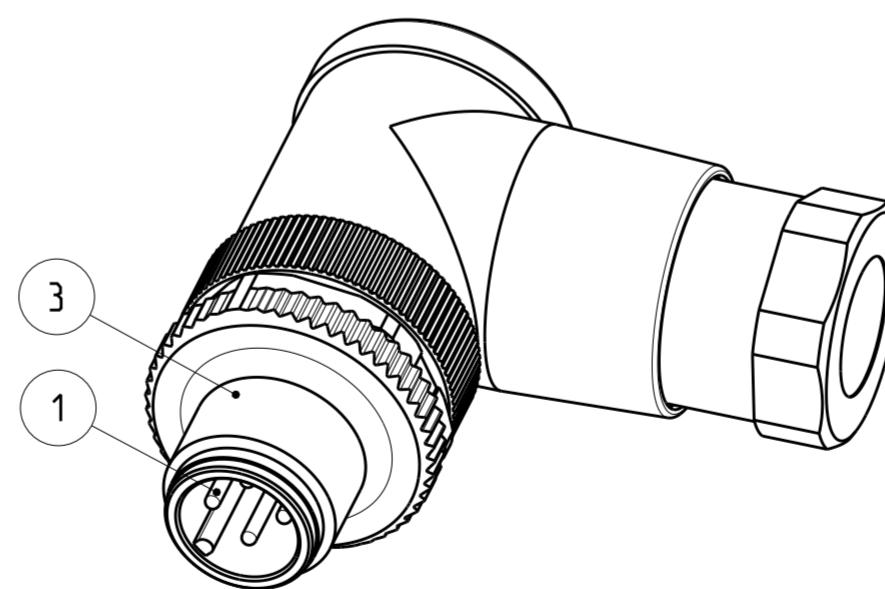
6 PACKAGING: 1 PIECE IN A BAG



PIN ARRANGEMENT  
A-CODING (SCALE 2:1)

2-2271122-1	2-2271122-2	3-2271122-1	3-2271122-2
4-2271122-1	4-2271122-2	5-2271122-2	6-2271122-2

3-2 AS SHOWN  
WIE GEZEICHNET



CABLE FEED-THROUGH mm	WIRES AWG / mm <sup>2</sup>	MATERIAL	NUMBER OF POLES	TE-PART-NO.
6-8	24 / 0.25mm <sup>2</sup>	1 3	12	6-2271122-2
6-8	20 / 0.5mm <sup>2</sup>	1 3	8	5-2271122-2
6-8	18 / 0.75mm <sup>2</sup>	1 2	5	4-2271122-2
4-6	18 / 0.75mm <sup>2</sup>	1 2	5	4-2271122-1
6-8	18 / 0.75mm <sup>2</sup>	1 2	4	3-2271122-2
4-6	18 / 0.75mm <sup>2</sup>	1 2	4	3-2271122-1
6-8	18 / 0.75mm <sup>2</sup>	1 2	3	2-2271122-2
4-6	18 / 0.75mm <sup>2</sup>	1 2	3	2-2271122-1

DIESE ZEICHNUNG IST EIN KONTROLLIERTES DOKUMENT. BEMASSUNGEN UND TOLERANZEN GEMAESS GPS (ISO STANDARDS).  
THIS DRAWING IS A CONTROLLED DOCUMENT. DIMENSIONING AND TOLERANCING PER GPS (ISO STANDARDS).

DIMENSIONS: MASSEINHEITEN: (mm)

TOLERANCES UNLESS OTHERWISE SPECIFIED: ALLGEMEINTOLERANZEN

0 PLC ±  
1 PLC ±  
2 PLC ±  
3 PLC ±  
4 PLC ±  
ANGLES/WINKEL ±  
FINISH/OBERFLÄCHE/FARBE

MATERIAL: -

DWN YASHKUMAR 15APR2014  
CHK M.STRELOW 15APR2014  
APVD C.SCHREITLINGER 15APR2014

PRODUCT SPEC 108-19483  
APPLICATION SPEC 114-32127

WEIGHT -  
GEWICHT -

Customer Drawing

**STE** TE Connectivity

NAME: M12 MALE 90 DEG ANGLED FIELD INSTALLABLE, UNSHIELDED CONNECTOR, SCREW TERMINALS, A-CODING

SIZE: A2  
CAGE CODE: 00779  
DRAWING NO: C-2271122  
ZEICHNUNGS-NR.: C-2271122

RESTRICTED TO NUR FÜR: -

SCALE: 2:1  
SHEET: 1 OF 1  
REV: A3

SIZE ISO 14405 (E)