

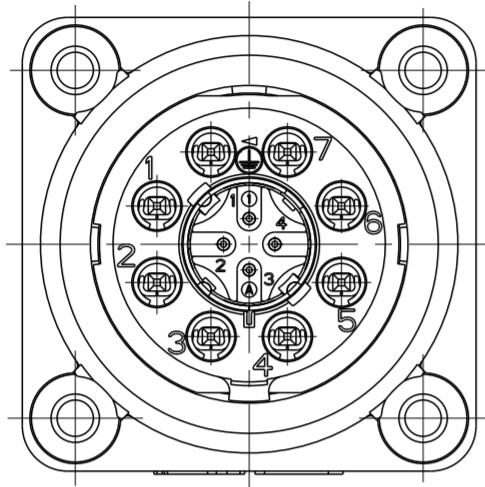
THIS DRAWING IS UNPUBLISHED.
 VERTRAULICHE UNVERÖFFENTLICHTE ZEICHNUNG
 © COPYRIGHT 2006 TYCO ELECTRONICS HTS

RELEASED FOR PUBLICATION
 FREI FUER VERÖFFENTLICHUNG
 08.MAR. 2010
 ALL RIGHTS RESERVED.
 ALLE INTERNATIONALEN RECHTE VORBEHALTEN.

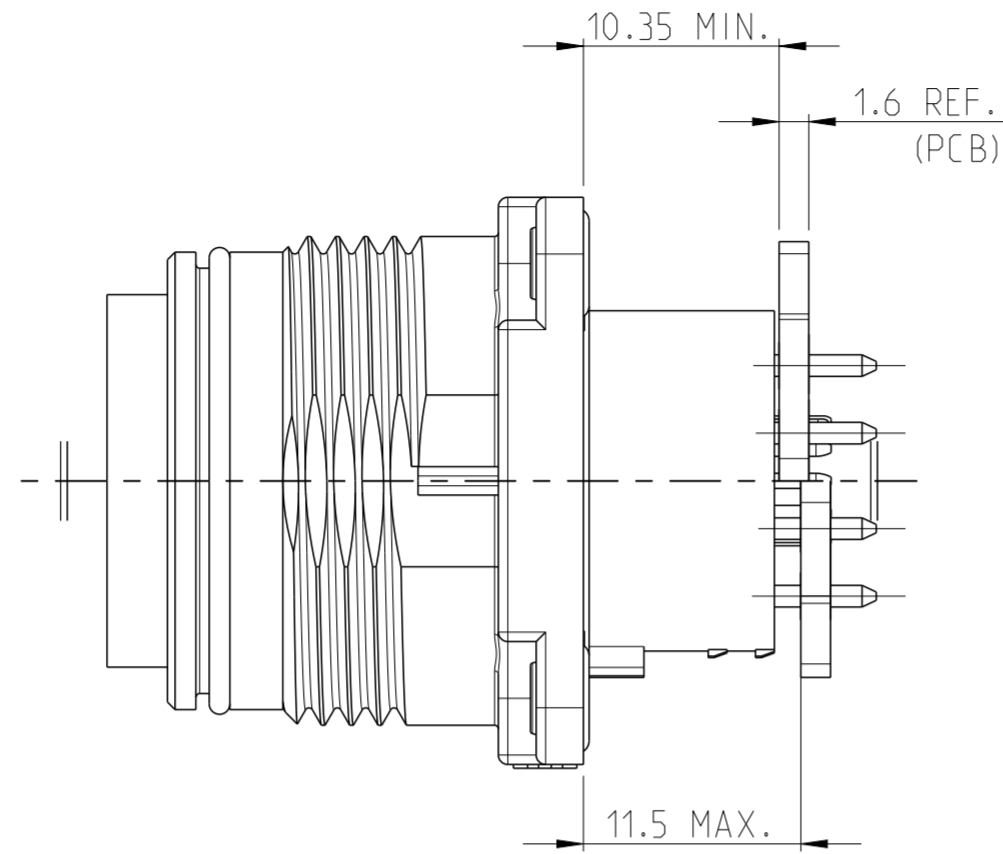
MATED WITH:
 PASSEND ZU:

LOC	DIST	REVISIONS					
A1		AENDERUNGEN		DATE	DWN	APVD	
PROJEKT NR.:		P	LTR	DESCRIPTION	DATE	DWN	APVD
		A7	ECR-11-017650		31AUG2011	SHE	HEIN
		A8	ECR-11-019448		21SEP2011	GW	OH
		B1	ECR-15-014241		27OCT2015	RK	JB
		B2	REV. PER ECR-16-000458		12JAN2016	ER	DO

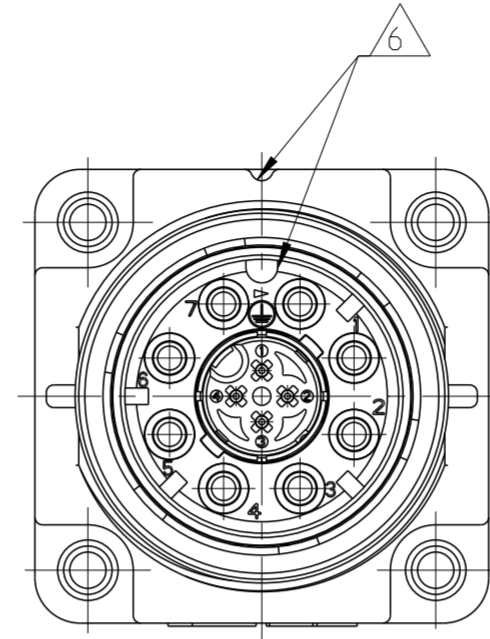
VIEW FROM BOTTOM



DISTANCE FROM PANEL TO PCB

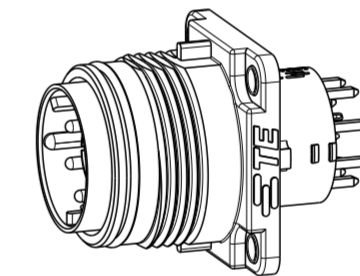
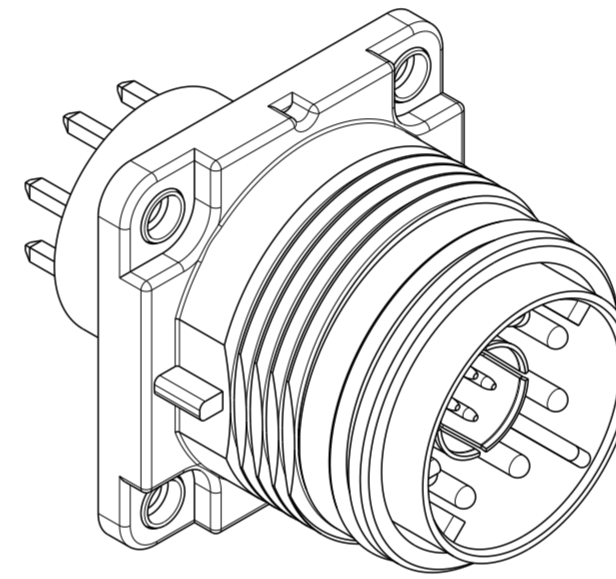
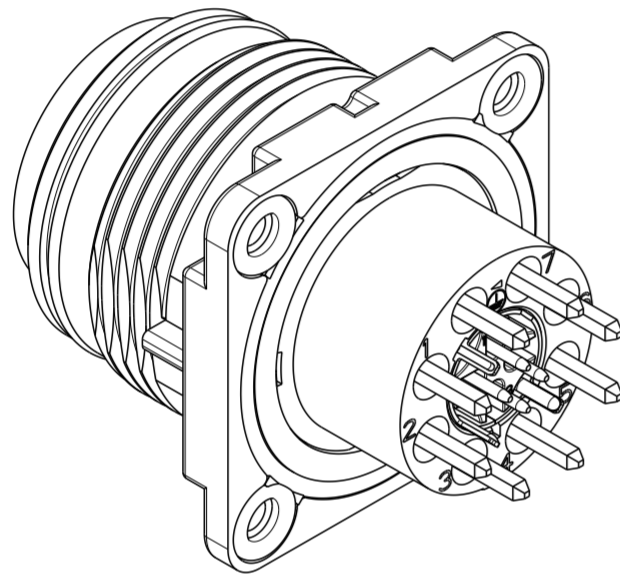


VIEW FROM TOP



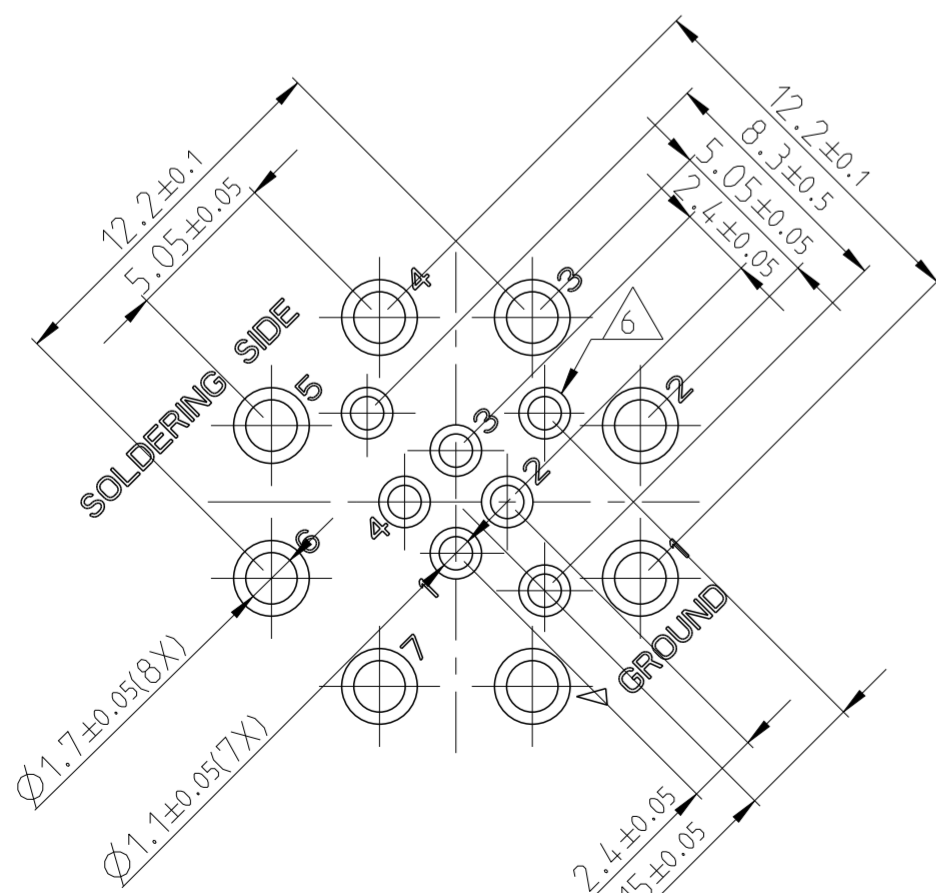
Notes

- 1 SIGNAL:
SUITABLE CRIMP CONTACTS: SERIES 22 DF
CUSTOMER DRAWING: 1658686
- 2 POWER:
SUITABLE CRIMP CONTACTS: SERIES TYPE III+
CUSTOMER DRAWING: 163087
- 3 SUITABLE HYBRID CABLE: SERIES HC26
CUSTOMER DRAWING: 1103536
- 4 SUITABLE HOUSINGS: SERIES HC26
CUSTOMER DRAWING: 1103437, 1103440
- 5 STANDARDS:
DIN EN 61984, DIN EN 60664-1
- 6 ORIENTATION CONTOURS
- 7 AUTHORISATION; PENDING
- 8 PACKAGING:
40 SETS IN A KIT, PRE-MOUNTED (ITEM 1
TO 3 ASSEMBLED AS ONE UNIT AND STICKED
INTO ITEM 4 WITHOUT FIXING FUNCTION)

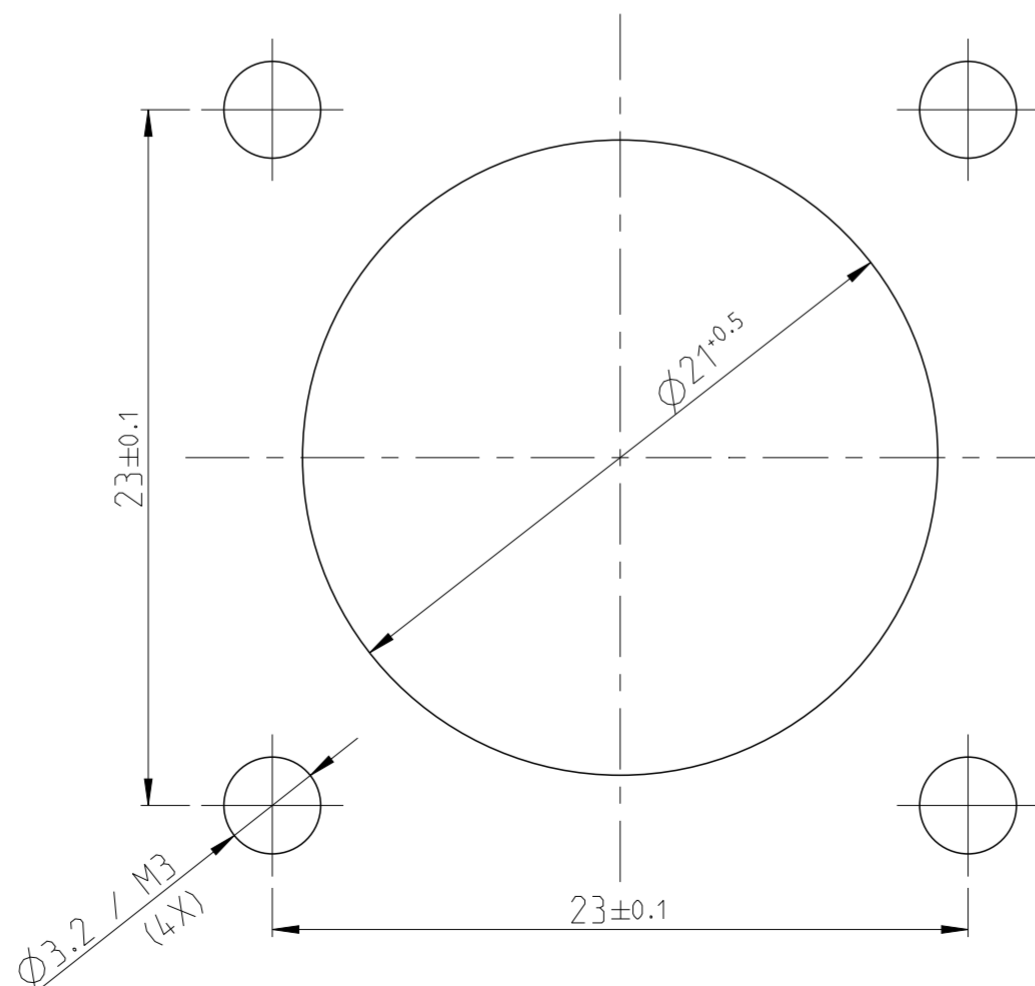


AS-DELIVERED CONDITION

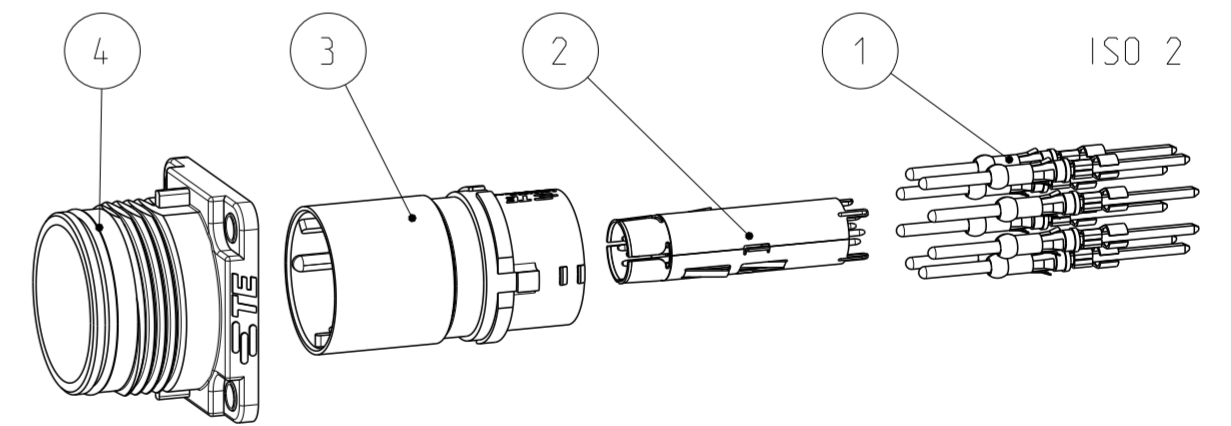
PCB LAYOUT



PANEL CUTOUT



PN 0-1 AS SHOWN



QTY	PART-NO	DESCRIPTION	NOTE	ITEM
1	0-1103436-2	BULKHEAD HOUSING ASS'Y	SERIES HC26, DESIGN METAL	4
1	0-1103428-3	MALE INSERT ASS'Y	SERIES HC26, 8-POS., TYPE III+, PCB	3
1	0-1103430-3	MALE INSERT ASS'Y	SERIES HC26, 4-POS., PCB	2
8	1-66471-8	PIN CONTACT ASS'Y	CRIMPED, .062 DIA, .045x.045 POST	1

PARTS LIST (PER ONE UNIT)

TOLERANCING ISO 8015
TOLERIERUNG ISO 8015

THIS DRAWING IS A CONTROLLED DOCUMENT. DIESES ZEICHNUNGSDOKUMENT WIRD DURCH AMP INCORPORATED KONTROLLIERT. ÄNDERUNGEN, DIE DEM TECHNISCHEN FORTSCHRITT DIENEN, SIND VORBEHALTEN. DEN JEWEILS LETZTIGELTEN ÄNDERUNGSSTAND ERFAHREN SIE AUF ANFRAGE.		DWN O. HOLZMANN 08MAR2010	 TE Connectivity
DIMENSIONS: MASSE IN EINHEITEN: (MM)		CHK H. BRAUN 09MAR2010	
TOLERANCES UNLESS OTHERWISE SPECIFIED: ALLGEMEINTOLERANZEN		APVD T. SCHNURPFIL 09MAR2010	NAME BULKHEAD HOUSING WITH SOLDER UNIT SERIES HC26, 8+4-POS., DESIGN METAL CIRCULAR HYBRID CONNECTOR
0 PLC ± 1 PLC ± 2 PLC ± 3 PLC ± 4 PLC ± ANGLES/WINKEL #0 FINISH/OBERFLÄCHE/FARBE		PRODUCT SPEC 108-94485	SIZE A2
MATERIAL		APPLICATION SPEC 114-94369	CAGE CODE 00779
		WEIGHT 34g	DRAWING NO. C-1108846
		Customer Drawing	RESTRICTED TO NUR FUER -

SCALE MASSSTAB	2:1	SHEET BLATT	1	OF VON	1	REV. REV.	B2
-------------------	-----	----------------	---	-----------	---	--------------	----