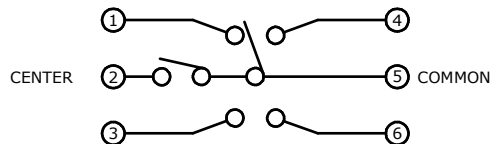
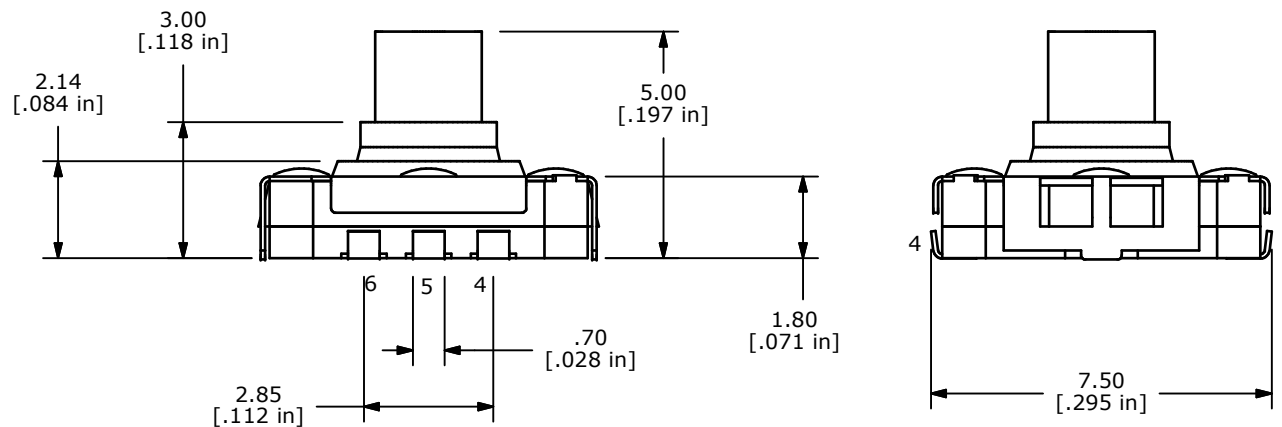


**ISOMETRIC**



**CIRCUIT DIAGRAM**

OPERATING POSITION	CIRCUIT
A	⑤-①
B	⑤-④
C	⑤-⑥
D	⑤-③
CENTER PUSH	⑤-②



- NOTES:**
1. RATING: 12V DC 50mA MAX.
  2. CONTACT RESISTANCE: 500 milli OHMS MAX.
  3. OPERATING FORCES:  
 CENTER PUSH: 260 ± 70gf  
 STROKE: 0.15±0.1 mm  
 4-WAY DIRECTION: 160 ± 50gf  
 TRAVEL: 0.20 ± 0.1 mm (3.5 +5/-1°)
  4. LIFE CYCLES: 200,000
  5. GENERAL TOLERANCE: ± 0.3
  6. 2002/95/EC (ROHS) COMPLIANT

TITLE JS1200ABQ			
SCALE	DATE	DR	DWG
6:1	6/4/2009	BLR	P000501
REV		BY	
B		BLR	

THE INFORMATION CONTAINED IN THIS DOCUMENT IS PROPRIETARY TO E-SWITCH AND IS NOT TO BE COPIED OR TRANSFERRED

B	18550	CASE ASSEMBLY METHOD CHANGED	6/4/09	BLR
A	15947	NEW RELEASE	4/5/06	PH
REV	PCR NO	DESCRIPTION	DATE	BY