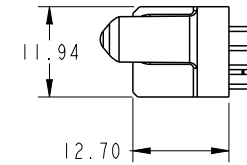
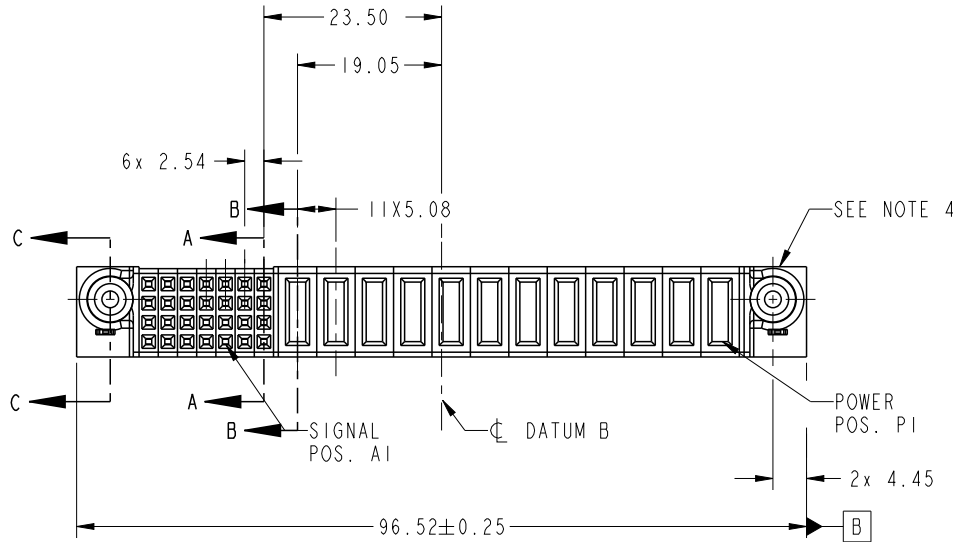


PRODUCT NO. 51940-478-- NOTE: 3	ROWS D C B A	SIGNAL					POWER										E1		
		E2	7	6	5	4	3	2	1	P12	P11	P10	P9	P8	P7	P6		P5	P4

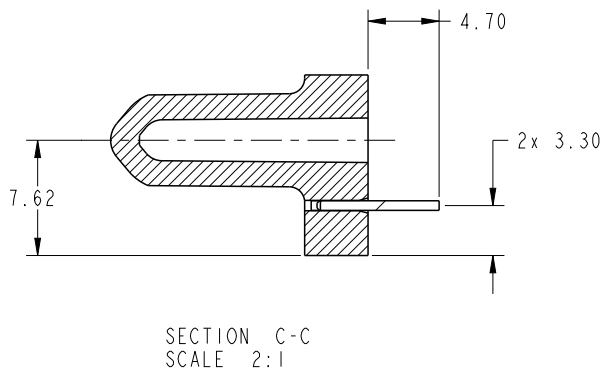
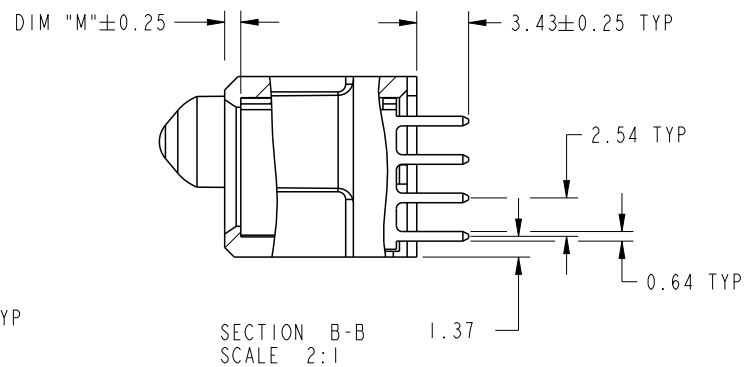
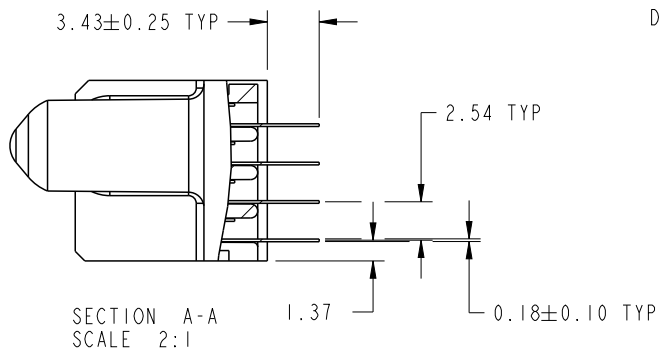


CODE	DIM "M" MATING LENGTH	CONTACT TYPE
E	[N/A]	SIGNAL
PA	[1.07]	POWER
HA	[N/A]	HOLD-DOWN

spec ref	*	dr	Ruan MT	2013/03/04	projection	MM	size	A4	scale	1:1
tolerance std	TOLERANCES UNLESS OTHERWISE SPECIFIED	eng	Ruan MT	2013/03/14			ecn no	-	rel level	Released
SEE NOTE		chr	-	-						
surface		appr	Pei-Ming Zheng	2013/03/14						
linear	0.X	±0.5		title	12DCP + 28S	dwg no	51940-478	rev	A	
	0.XX	±0.25								
	0.XXX	±0.1								
angular	0°	±2°	www.fci.com	cat. no.	*	Product - Customer Drw	sheet 1 of 4			

PRODUCT NUMBER

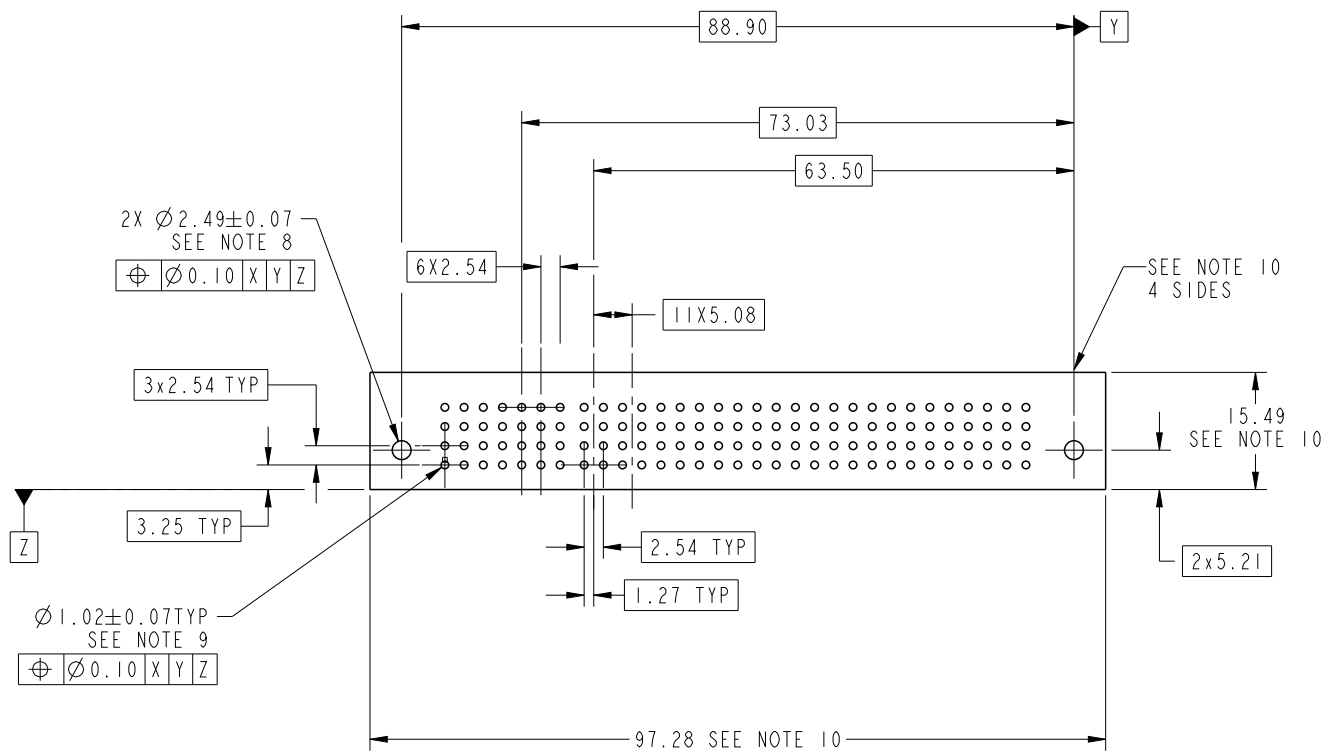
51940-478__
NOTE: 3



dr	Ruan MT	2013/03/04	projection 	MM 	size	A4	scale	1:1
eng	Ruan MT	2013/03/14			ecn no	-		
chr	-	-			rel level	Released		
appr	Pei-Ming Zheng	2013/03/14	product family	PwrBlade				
	title	I2DCP + 28S VERTICAL SOLDER RECEIPT		dwg no	51940-478		rev	A
www.fci.com	cat. no.	*	Product - Customer Drw			sheet 2 of 4		

PRODUCT NUMBER

51940-478__
NOTE: 3



RECOMMENDED PCB LAYOUT

dr	Ruan MT	2013/03/04	projection 	MM 	size	A4	scale	1:1	
eng	Ruan MT	2013/03/14			ecn no	-			
chr	-	-			rel level	Released			
appr	Pei-Ming Zheng	2013/03/14	product family	PwrBlade					
		title	12DCP + 28S VERTICAL SOLDER RECEIPT		dwg no	51940-478		rev	A
www.fci.com		cat. no.	*	Product - Customer Drw			sheet 3 of 4		

PRODUCT NUMBER

51940-478__
NOTE: 3

NOTES:

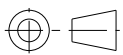
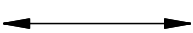

1. DIMENSIONS AND TOLERANCES ARE IN ACCORDANCE WITH ASME Y14.5M, 1994 UNLESS OTHERWISE SPECIFIED.

CONNECTOR NOTES:

- 2 HOUSING MATERIAL: UL 94 V-0 GLASS FILLED HIGH-TEMP THERMOPLASTIC
POWER CONTACT MATERIAL: COPPER ALLOY
SIGNAL PIN MATERIAL: COPPER ALLOY
- 3. SEE ITEM 5 & 6 IN PRINT 10064183 FOR PLATING SPEC OF 51940-478 AND 51940-478LF RESPECTIVELY.
- 4 MANUFACTURER'S NAME, DATE CODE AND OPTIONAL P/N TO APPEAR ON THIS SURFACE. THE MARK CAN BE OMITTED IF THERE IS NOT ENOUGH SPACE ON THIS SURFACE.
- 5. PRODUCT SPECIFICATION GS-12-149.
APPLICATION SPECIFICATION BUS-20-067.
- 6. PACKAGED IN TRAYS.
- PCB NOTES:
- 7. ALL HOLE DIAMETERS ARE FINISHED HOLE SIZE.
- 8 MOUNTING HOLES, WHERE APPLICABLE, ARE UNPLATED.
- 9 $\varnothing 1.151 \pm 0.025$ DRILLED HOLES PLATED WITH
0.008 MIN SnPb OR Sn OVER 0.03
TO 0.08 Cu PLATING TO ACHIEVE
 $\varnothing 1.02 \pm 0.07$ HOLE.
- 10 CONNECTOR KEEP-OUT ZONE.
- 11. THE VOID CORING IN BETWEEN POWER MODULES, SIGNAL MODULES AND END MODULES ARE OPTIONAL AND THE SHAPE MAY BE DIFFERENT FOR OPTIMIZE THE MOLDING PROCESS. THE VOID CORING WILL NOT EFFECT TO PRODUCT FUNCTION.



Copyright FCI.

dr	Ruan MT	2013/03/04	projection 	MM 	size	A4	scale	1:1	
eng	Ruan MT	2013/03/14			ecn no	-			
chr	-	-							
appr	Pei-Ming Zheng	2013/03/14	product family	PwrBlade	rel level	Released			
	title	12DCP + 28S VERTICAL SOLDER RECEPT			dwg no	51940-478		rev	A
www.fci.com	cat. no.	*	Product - Customer Drw			sheet 4 of 4			