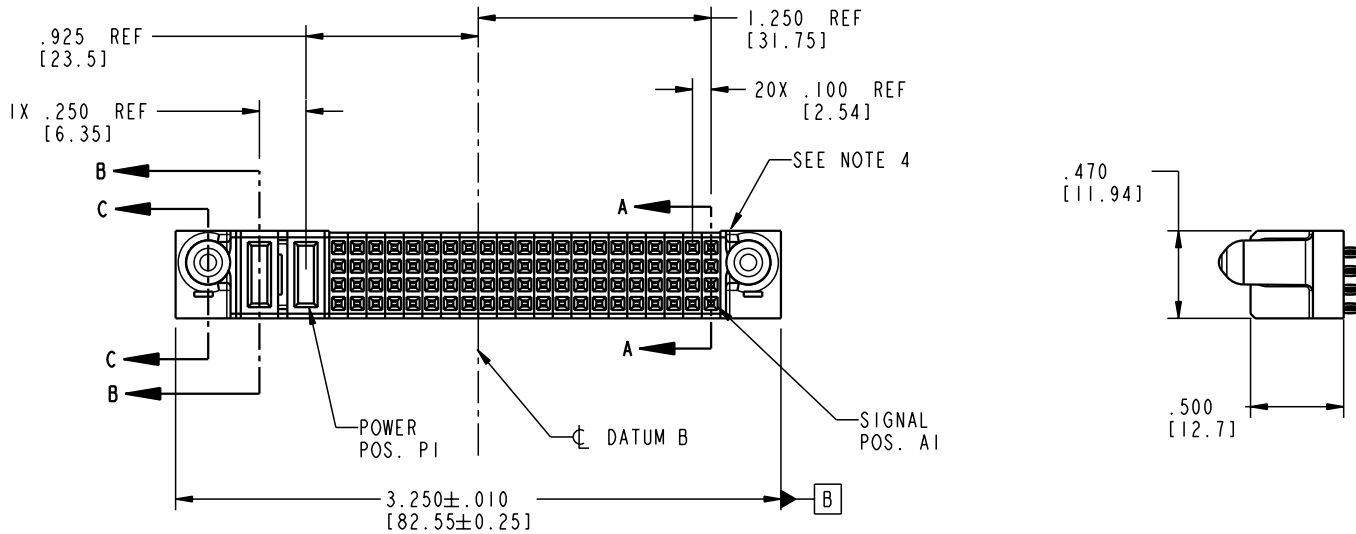


Tous droits strictement reserves. Reproduction ou communication a des tiers interdite sous quelque forme que ce soit sans autorisation écrite du propriétaire. Propriete de c FCI. Droits de reproduction FCI.

All rights strictly reserved. Reproduction or issue to third parties in any form whatever is not permitted without written authority from the proprietor. Property of FCI. Copyright FCI.



PRODUCT NO.	ROWS	POWER		SIGNAL																E1					
		E2	P2	P1	21	20	19	18	17	16	15	14	13	12	11	10	9	8	7		6	5	4	3	2
51751-010	D C B A		PF	PC	F	F	F	F	F	F	F	F	F	F	F	F	F	F	F	F	F	F	F	F	F



CODE	DIM "M" MATING LENGTH	CONTACT TYPE
PC	.042 [1.07]	POWER
F	N/A [N/A]	SIGNAL
PF	.092 [2.34]	POWER

mat'l code				SEE NOTE 2		tolerances unless otherwise specified		CUSTOMER		 www.fciconnect.com	
lfr	ecn no.	dr	date	linear	.XX±.01/0.X±0.3	projection		COPY		title	
A	V03-0831	MEM	7/25/03		.XXX±.005/0.XX±0.13					92S + 2P	
				angles	.XXX±.002/0.XXX±0.051					VERTICAL PRESS FIT RECEIPT	
				dr	0°±2°					product family	
				enr	M. MOSTOLLER 7/25/03	INCH/MM				Pwr Blade	
				chr	M. MOSTOLLER 7/25/03	scale				code	
				appd	H. BREWBAKER 7/25/03	1:1				213	
					M. MOSTOLLER 7/25/03					sheet	
sheet index	revision sheet	A	A	A	A					1 of 4	
		1	2	3	4						

cage code 22526

Pro/E

PDM: Rev:A

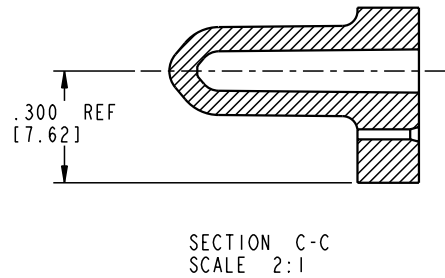
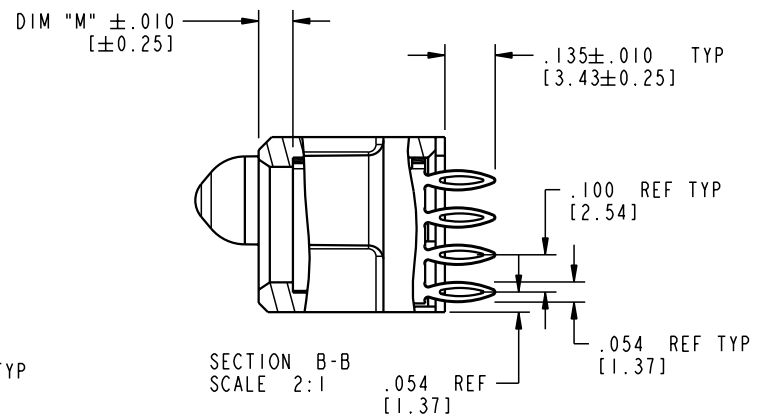
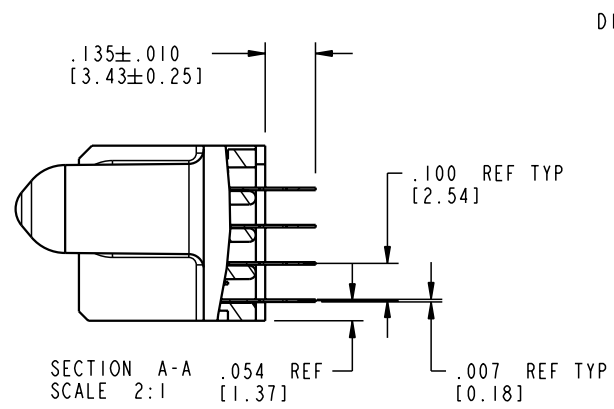
STATUS: Released


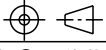
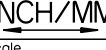
Printed: Aug 14, 2003

Tous droits strictement reserves. Reproduction ou communication a des tiers interdite sous quelque forme que ce soit sans autorisation écrite du propriétaire. Propriété de c FCI. Droits de reproduction FCI.

All rights strictly reserved. Reproduction or issue to third parties in any form whatever is not permitted without written authority from the proprietor. Property of FCI. Copyright FCI.

PRODUCT NUMBER  
51751-010



mat'l code				SEE NOTE 2		tolerances unless otherwise specified		CUSTOMER		 www.fciconnect.com	
lfr	ecn no.	dr	date	linear	$.XX \pm .01 / 0.X \pm 0.3$ $.XXX \pm .005 / 0.XX \pm 0.13$ $.XXX \pm .002 / 0.XXX \pm 0.051$	COPY		projection		title	
A				angles	$0^\circ \pm 2^\circ$					92S + 2P VERTICAL PRESS FIT RECEIPT	
				dr	M. MOSTOLLER 7/25/03	INCH/MM		product family		Pwr Blade code	
				enr	M. MOSTOLLER 7/25/03	scale		size		213	
				chr	H. BREWBAKER 7/25/03	1:1		dwg no		sheet	
				appd	M. MOSTOLLER 7/25/03			A 51751-010		2 of 4	
sheet index	revision sheet										

cage code 22526

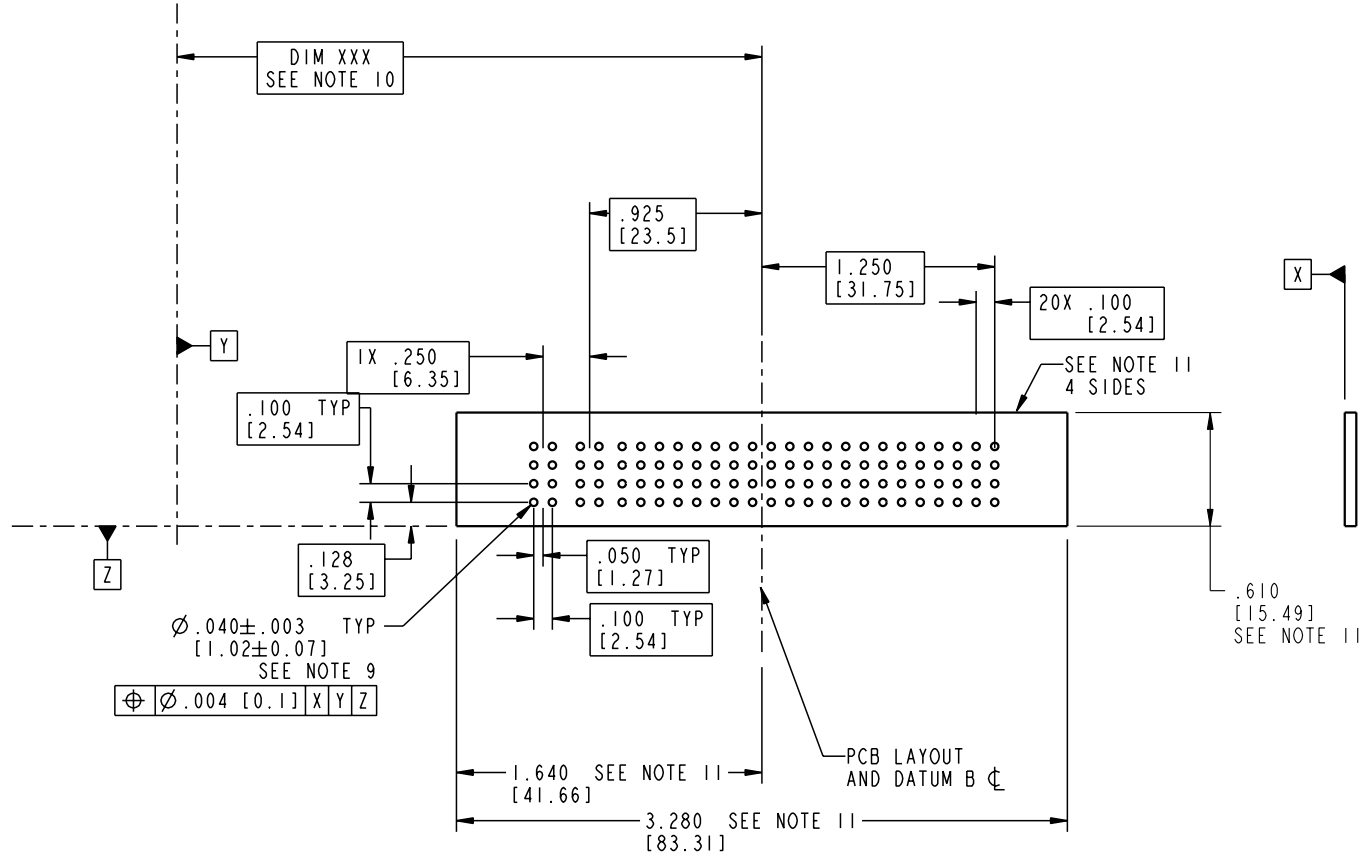
Pro/E

Tous droits strictement reserves. Reproduction ou communication a des tiers interdite sous quelque forme que ce soit sans autorisation écrite du propriétaire. Propriété de c FCI. Droits de reproduction FCI.

All rights strictly reserved. Reproduction or issue to third parties in any form whatever is not permitted without written authority from the proprietor. Property of FCI. Copyright FCI.



PRODUCT NUMBER  
51751-010



⊕ ∅.004 [0.1] X|Y|Z

∅.040±.003 TYP [1.02±0.07] SEE NOTE 9

mat'l code		SEE NOTE 2		tolerances unless otherwise specified		CUSTOMER		 www.fciconnect.com	
ltr	ecn no.	dr	date	linear	$.XX \pm .01 / 0.X \pm 0.3$ $.XXX \pm .005 / 0.XX \pm 0.13$ $.XXX \pm .002 / 0.XXX \pm 0.051$	COPY	projection	title	
A				angles	$0^\circ \pm 2^\circ$			92S + 2P	
				dr	M. MOSTOLLER 7/25/03			VERTICAL PRESS FIT RECEIPT	
				enr	M. MOSTOLLER 7/25/03	INCH/MM		product family Pwr Blade code 213	
				chr	H. BREWBAKER 7/25/03	scale		size	
				appd	M. MOSTOLLER 7/25/03	1:1		dwg no	
sheet index		revision sheet						A 51751-010	
								sheet 3 of 4	

cage code 22526

Pro/E

Tous droits strictement reserves. Reproduction ou communication a des tiers interdite sans quelque forme que ce soit sans autorisation écrite du propriétaire. Propriété de c FCI. Droits de reproduction FCI.

All rights strictly reserved. Reproduction or issue to third parties in any form whatever is not permitted without written authority from the proprietor. Property of FCI. Copyright FCI.



PRODUCT NUMBER  
**51751-010**

NOTES:

1. DIMENSIONS AND TOLERANCES ARE IN ACCORDANCE WITH ASME Y14.5M, 1994 UNLESS OTHERWISE SPECIFIED.
- CONNECTOR NOTES:
- 2 HOUSING MATERIAL: UL 94 V-0 GLASS FILLED  
HIGH-TEMP THERMOPLASTIC  
POWER CONTACT MATERIAL: COPPER ALLOY  
SIGNAL PIN MATERIAL: COPPER ALLOY
3. PLATING:  
SIGNAL PINS: 30u"/0.76um Au OVER 50u"/1.27um Ni  
POWER CONTACTS: 50u"/1.27um Ni UNDER ALL WITH 30u"/0.76um Au ON CONTACT AREA AND SnPb ON PCB INTERFACE
- 4 MANUFACTURER'S NAME, P/N, AND DATE CODE TO APPEAR ON THIS SURFACE.
5. PRODUCT SPECIFICATION GS-12-149.  
APPLICATION SPECIFICATION BUS-20-067.
6. PACKAGED IN TRAYS.  
PCB NOTES:
7. ALL HOLE DIAMETERS ARE FINISHED HOLE SIZE.
- 8 MOUNTING HOLES, WHERE APPLICABLE, ARE UNPLATED.
- 9  $\varnothing .0453 \pm .0010$  [1.151  $\pm$  0.025] DRILLED HOLES PLATED WITH .0003 [0.008] MIN SnPb OVER .001 [0.03] TO .003 [0.08] Cu PLATING TO ACHIEVE  $\varnothing .040 \pm .003$  [1.02  $\pm$  .07] HOLE.
- 10 "DIM XXX" TO BE DETERMINED BY THE CUSTOMER.
- 11 CONNECTOR KEEP-OUT ZONE.

mat'l code		SEE NOTE 2		tolerances unless otherwise specified		CUSTOMER		www.fciconnect.com	
lfr	ecn no.	dr	date	linear	$.XX \pm .01 / 0.X \pm 0.3$ $.XXX \pm .005 / 0.XX \pm 0.13$ $.XXX \pm .002 / 0.XXX \pm 0.051$	COPY	projection		
A				angles	$0^\circ \pm 2^\circ$			92S + 2P	
				dr	M. MOSTOLLER 7/25/03			VERTICAL PRESS FIT RECEIPT	
				enrg	M. MOSTOLLER 7/25/03	INCH/MM		product family	
				chr	H. BREWBAKER 7/25/03	scale		Pwr Blade	
				appd	M. MOSTOLLER 7/25/03	1:1		code	
sheet index	revision sheet							size	
								dwg no	
								A 51751-010	
								sheet	
								4 of 4	

cage code 22526