

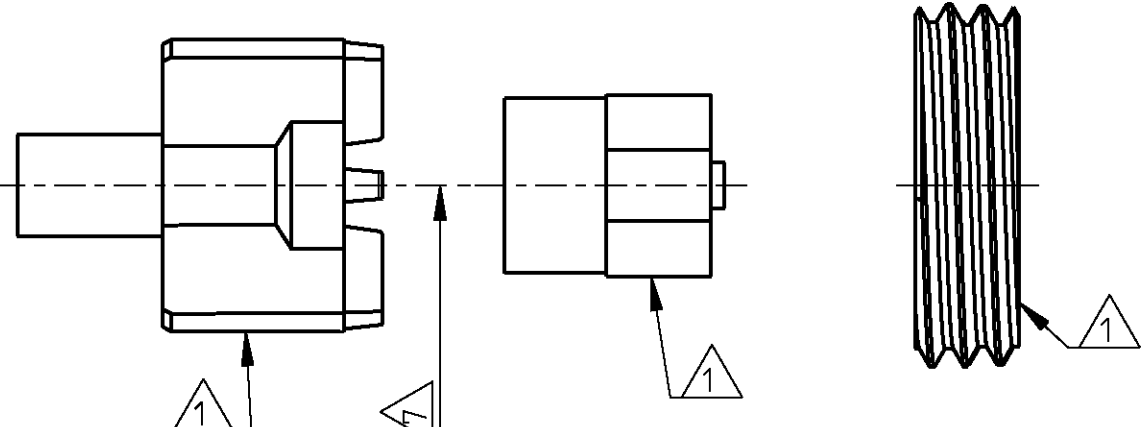
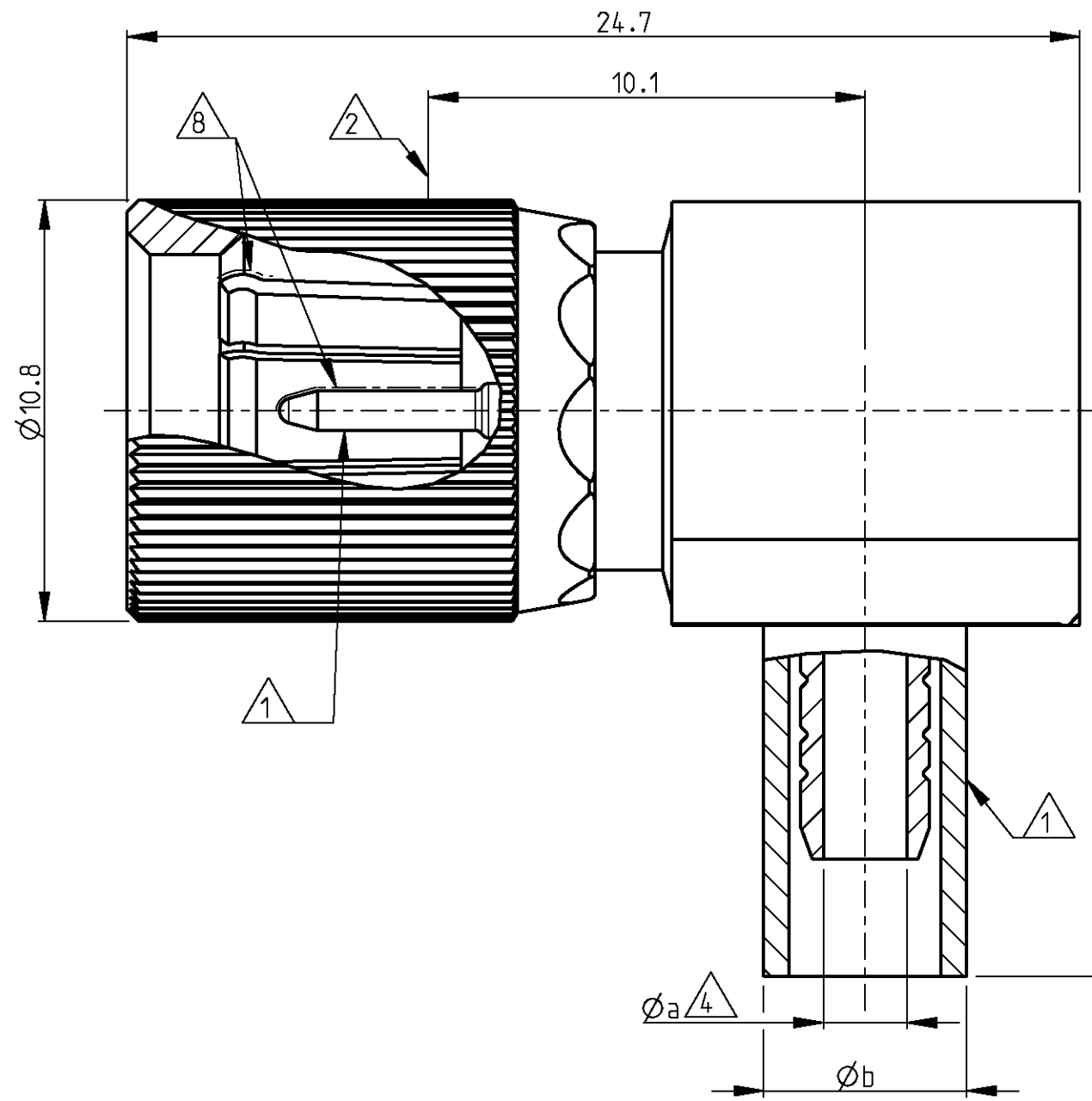
THIS DRAWING IS UNPUBLISHED. RELEASED FOR PUBLICATION 2000

© COPYRIGHT 2000 BY TYCO ELECTRONICS CORPORATION. ALL RIGHTS RESERVED.

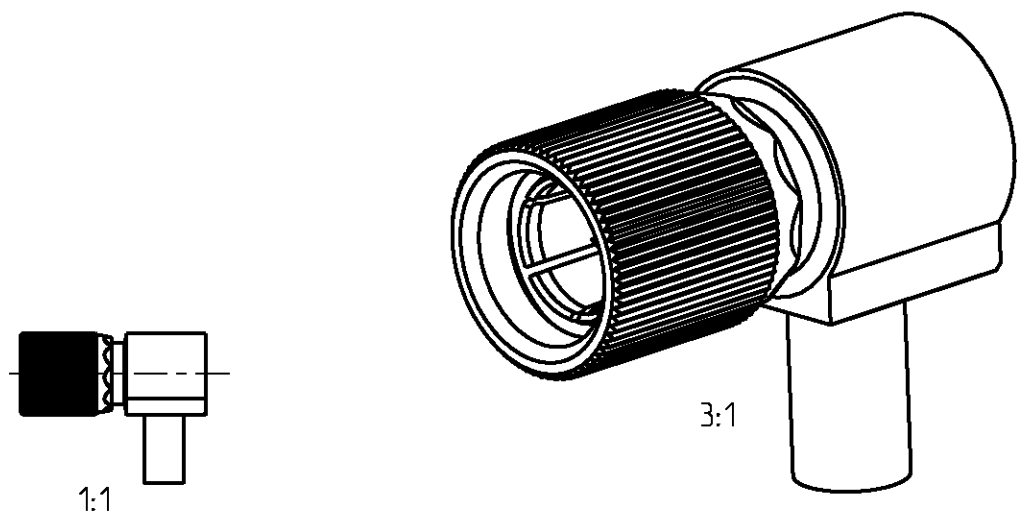
LOC IS DIST -

REVISIONS

P	LTR	DESCRIPTION	DATE	DWN	APVD
	A	-	05APR2001	BL	KM
	B	ECR-07-019253	13AUG07	AN	DB
	B1	ECR-08-005698	04MAR08	AN	DB
	B2	REVISED PER ECO-09-027197	13JAN10	KK	AEG



- 10** OBSOLETE
- 9** OBSOLETE PARTS: OBSOLETE CIS STREAMLINING PER D.RENAUD/D.SINISI
- 8** Contact area.
- 7** When ferrule is fully mated
- 6** Packed in tray
- 5) All dimensions are maximum unless otherwise specified.
- 4** Minimum dimensions
- 3) Mating face according to DIN 47295/CECC 22240.
- 2** Reference plane.
- 1** Supplied as loose part.



<small>THIS DRAWING IS A CONTROLLED DOCUMENT FOR TYCO ELECTRONICS CORPORATION IT IS SUBJECT TO CHANGE AND THE CONTROLLING ENGINEERING ORGANIZATION SHOULD BE CONTACTED FOR THE LATEST REVISION.</small>		DWN B. Ienvain 27FEB2001 CHK K. Mattheeuws 5APR2001 APVD R. Leeman 5APR2001		Tyco Electronics Ch - Switzerland - Lugano	
DIMENSIONS: mm		TOLERANCES UNLESS OTHERWISE SPECIFIED: 0 PLC \pm 1 PLC \pm 2 PLC \pm 3 PLC \pm 4 PLC \pm ANGLES \pm		NAME Angle Cable Plug 1.6/5.6	
MATERIAL -		FINISH -		PRODUCT SPEC - APPLICATION SPEC 114-71024 WEIGHT -	
CUSTOMER DRAWING				SIZE A3 CAGE CODE 00779 DRAWING NO. C-1-1393680-6	RESTRICTED TO -
SCALE 6:1				SHEET 1 OF 2	REV B2

THIS DRAWING IS UNPUBLISHED. RELEASED FOR PUBLICATION 2000
 © COPYRIGHT 2000 BY TYCO ELECTRONICS CORPORATION. ALL RIGHTS RESERVED.

LOC	DIST	REVISIONS					
IS	-	P	LTR	DESCRIPTION	DATE	DWN	APVD
				SEE SHEET 10F2			

Cross reference tabel									
Old part number	TE part number	Description	Material	Plating	Øa	Øb	dim c	Cable type	
V23612-C202-A76	1-1393680-4	Outer conductor	CuBe/Bronze	min. 0.2 µm Au over PdNi in contact area	2.15	5.2	15	02Y(S)CY 0.45/2.0	
		Center conductor	CuBe/Bronze	min. 0.2 µm Au over PdNi in contact area					
		Dielectric	PEEK/PC	-					
V23612-A202-A76A	1-1393680-9	Outer conductor	CuBe/Bronze	min. 0.2 µm Au over PdNi in contact area	2.15	5.2	15	02Y(S)CY 0.45/2.0	
		Center conductor	CuBe/Bronze	min. 0.2 µm Au over PdNi in contact area					
		Dielectric	PEEK/PC	-					
V23612-A202-A76	1-1393680-8	Outer conductor	CuBe/Bronze	min. 0.2 µm Au over PdNi in contact area	2.15	5.2	15	02Y(S)CY 0.45/2.0	
		Center conductor	CuBe/Bronze	min. 0.2 µm Au over PdNi in contact area					
		Dielectric	PEEK/PC	-					
V23612-A202-A62A	1-1393680-7	Outer conductor	CuBe/Bronze	min. 0.2 µm Au over PdNi in contact area	2.15	5.2	15	02Y12YC(MS)C6Y 0.45/2.0	
		Center conductor	CuBe/Bronze	min. 0.2 µm Au over PdNi in contact area					
		Dielectric	PEEK/PC	-					
V23612-A202-A62	1-1393680-6	Outer conductor	CuBe/Bronze	min. 0.2 µm Au over PdNi in contact area	2.15	5.2	15	02Y(S)CY 0.45/2.0	
		Center conductor	CuBe/Bronze	min. 0.2 µm Au over PdNi in contact area					
		Dielectric	PEEK/PC	-					
V23612-A202-A45	1-1393680-3	Outer conductor	CuBe/Bronze	min. 0.2 µm Au over PdNi in contact area	2.55	6.2	15	02YCCY 0.4/2.5 2YC(MS)CY 0.4/2.5	
		Center conductor	CuBe/Bronze	min. 0.2 µm Au over PdNi in contact area					
		Dielectric	PEEK/PC	-					
V23612-A202-A34	1-1393680-2	Outer conductor	CuBe/Bronze	min. 0.2 µm Au over PdNi in contact area	2.35	6.4	18	TR-SP127 TR-SP128	
		Center conductor	CuBe/Bronze	min. 0.2 µm Au over PdNi in contact area					
		Dielectric	PEEK/PC	-					
V23612-A202-A32	1-1393680-1	Outer conductor	CuBe/Bronze	min. 0.2 µm Au over PdNi in contact area	3.8	8.18	18	TR-SP109	
		Center conductor	CuBe/Bronze	min. 0.2 µm Au over PdNi in contact area					
		Dielectric	PEEK/PC	-					

<small>THIS DRAWING IS A CONTROLLED DOCUMENT FOR TYCO ELECTRONICS CORPORATION IT IS SUBJECT TO CHANGE AND THE CONTROLLING ENGINEERING ORGANIZATION SHOULD BE CONTACTED FOR THE LATEST REVISION.</small>		DWN B. Ienvain 5APR2001	Tyco Electronics CH - Switzerland - Lugano
		CHK K. Mattheeuws 5APR2001	
		APVD R. Leeman 5APR2001	
DIMENSIONS: mm 		PRODUCT SPEC -	NAME Cable angle plug 1.6/5.6
TOLERANCES UNLESS OTHERWISE SPECIFIED: 0 PLC ± 1 PLC ± 2 PLC ± 3 PLC ± 4 PLC ± ANGLES ±		APPLICATION SPEC -	
MATERIAL -		WEIGHT -	RESTRICTED TO -
FINISH -		CUSTOMER DRAWING	SIZE A3 CAGE CODE 00779 DRAWING NO. ©-1-1393680-6 SCALE 6:1 SHEET 2 OF 2 REV B2