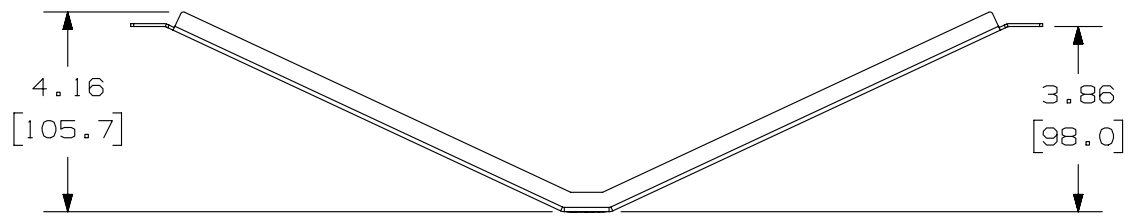
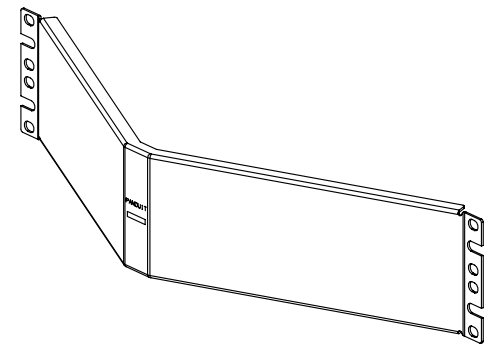
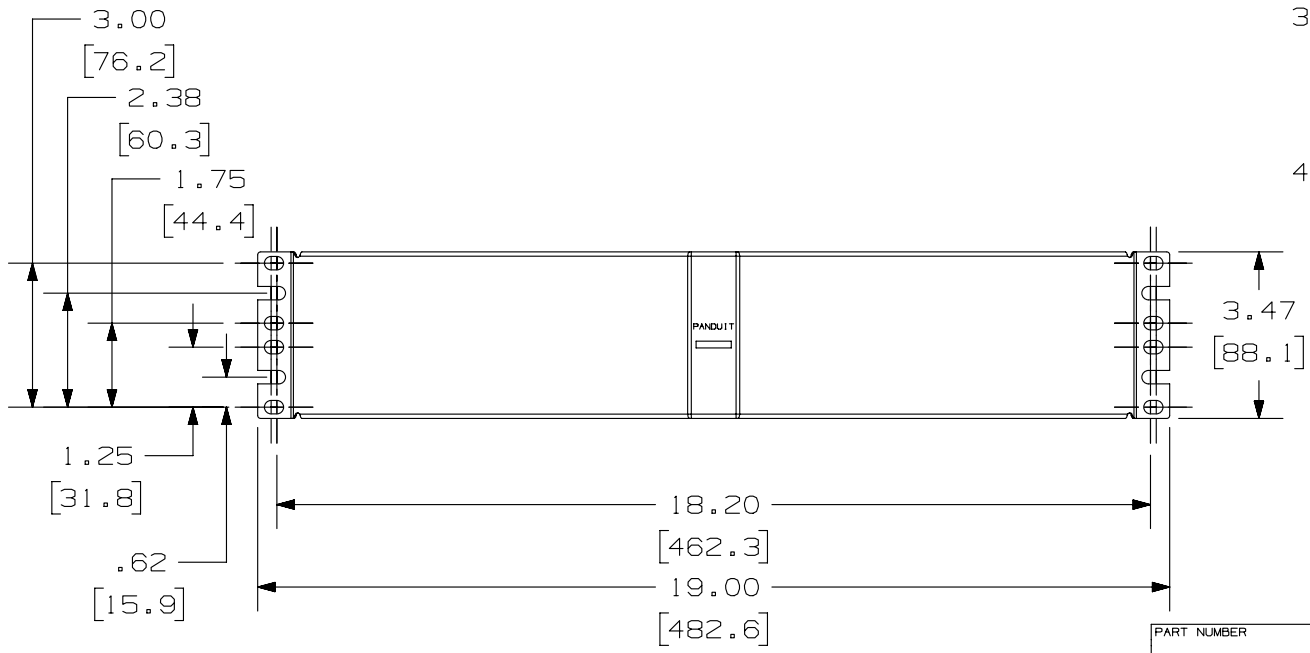


THIS COPY IS PROVIDED ON A RESTRICTED BASIS AND IS NOT TO BE USED IN ANY WAY DETRIMENTAL TO THE INTERESTS OF PANDUIT CORP.

PANDUIT P/N	WEIGHT
CPAF2BLY	14.05 LB/10 PCS (6373.2 g/10 PCS)



- NOTES:
- SEE CURRENT CATALOG FOR VARIOUS APPLICATIONS WITH THIS WIRING SYSTEM.
 - THE FILLER PANEL IS DESIGNED FOR MOUNTING TO 19" UNIVERSAL RACKS.
 - PACKAGE CONTENTS:
 - (1) - ANGLED FILLER PANEL STAMPING
 - (1) - SCREW KIT (INCLUDES FOUR #12-24 SCREWS)
 - (1) - SCREW KIT (INCLUDES FOUR M6 SCREWS)
 - DIMENSIONS IN [] ARE IN METRIC.



PART NUMBER		CPAF2BLY		
TITLE				
ANGLED 2 RACK UNIT FILLER PANEL				
CUSTOMER DRAWING				
ITEM REVISION NAME		M02479DD/00		
DATASET FILE NAME		M02479DD_DC84/00B		
UNLESS OTHERWISE SPECIFIED, DIMENSIONAL TOLERANCES ARE: IN [mm]				
.x ± .xx ± .03 [.8]		.xxx ± .010 [.3]		
THIRD ANGLE PROJECTION				MATERIAL:
				16 GAGE C.R.S.
DRAWING NUMBER:				02479-084
DRAWN BY	DATE	CHK	SCALE	SHT 1 OF 1
JSP	3-11-06	MJD	NONE	A

REV	DATE	BY	CHK	APR	DESCRIPTION	ECN
1	5/7/14	JSP	REFR	MMR	A. REVISED DRAWING TITLE BLOCK.	02479-084
R	3-11-06	JSP	MJD	MJD	RELEASED TO PRODUCTION	02479-084

D10100DA/14