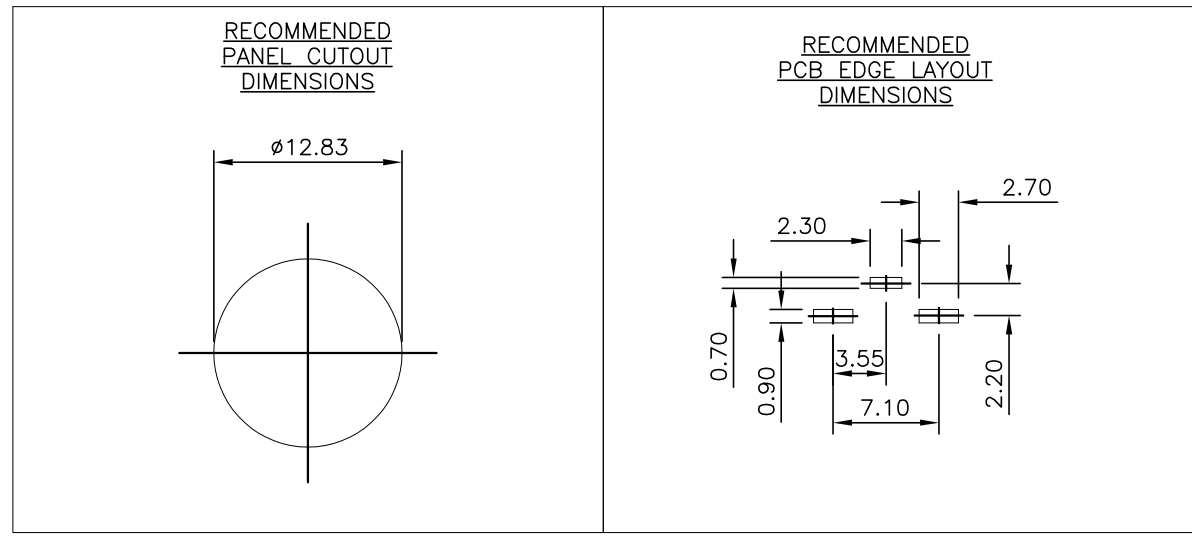
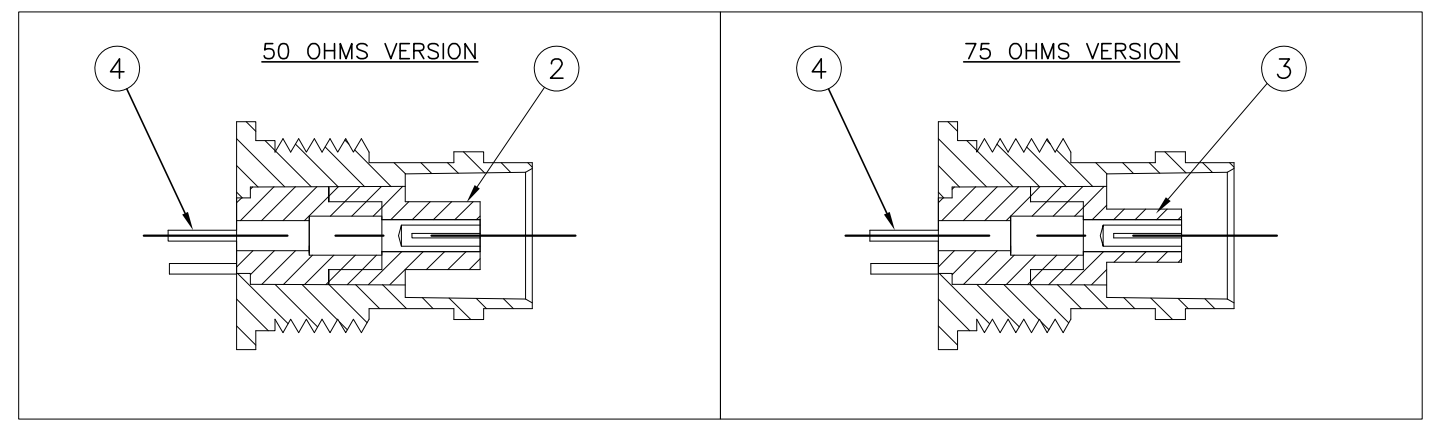
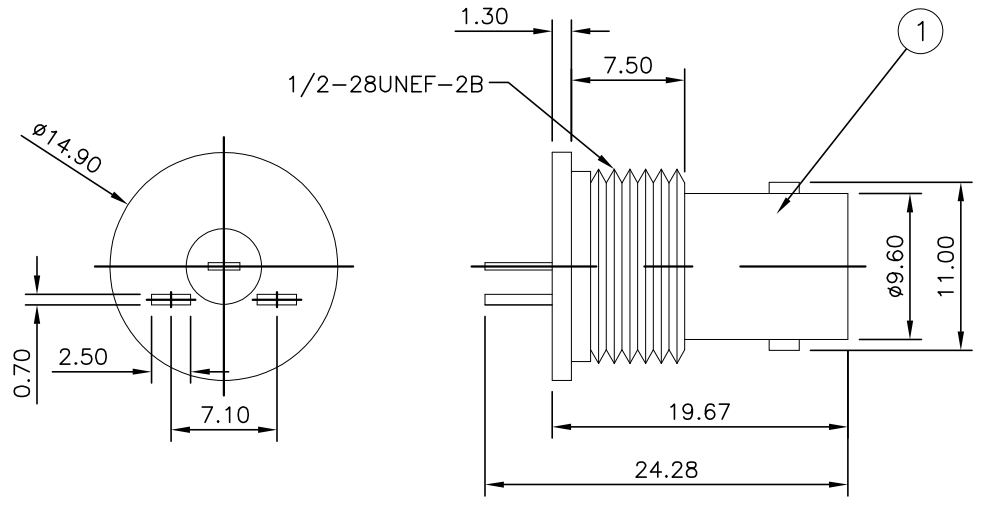


THIS DRAWING IS UNPUBLISHED. RELEASED FOR PUBLICATION MAR ,2006.
 © COPYRIGHT 2006 By - ALL RIGHTS RESERVED.

LOC	DIST	REVISIONS			
P	LTR	DESCRIPTION	DATE	DWN	APVD
E	B	D1	REVISED PER ECO-11-005033	01APR11	RK HMR
E		ECO-12-014680	20Aug2012	TITAN	MARTIN

- NOTES**
- 1 100 TRAY PACK IN ACCORDANCE WITH AMP SPEC 107-3275
 - 2 SINGLE PACK IN ACCORDANCE WITH AMP SPEC 107-3275
 - 3 Au PLATING
 - 4 Ni PLATING
 - 5 FOR TECHNICAL DATA REFER TO YOUR LOCAL TE CONNECTIVITY SALES OFFICE
 - 6 ALL DIMENSIONS ARE NOMINAL FOR REFERENCE ONLY UNLESS OTHERWISE STATED



	Obsolete	Obsolete	Obsolete							
	1	1	1	1	PHOS BRONZE	3	CONTACT	4		
	1	1	-	-	POLYMETHYLPENTENE		INSULATOR	3		
	1	-	1	1	POLYMETHYLPENTENE		INSULATOR	2		
	1	1	1	1	ZINC ALLOY	4	BODY	1		
	5--3	5--2	5--1	5--0						
	2	1	2	1						
QUANTITY PER ASSY				PARTS LIST						

THIS DRAWING IS A CONTROLLED DOCUMENT.

DWN RITA ZUO 14 Feb 09
 CHK ANSON MA 14 Feb 09
 APVD BOB ZHAO 14 Feb 09

STE TE Connectivity

NAME: BNC BULKHEAD SOCKET EDGE MOUNT

PRODUCT SPEC: 108-112000

APPLICATION SPEC: -

SIZE: A3 CAGE CODE: 00779 DRAWING NO: C-1634521 RESTRICTED TO: -

MATERIAL: SEE TABLE FINISH: -

WEIGHT: -

CUSTOMER DRAWING SCALE: NTS SHEET: 1 OF 1 REV: E