

5

4

3

2

1

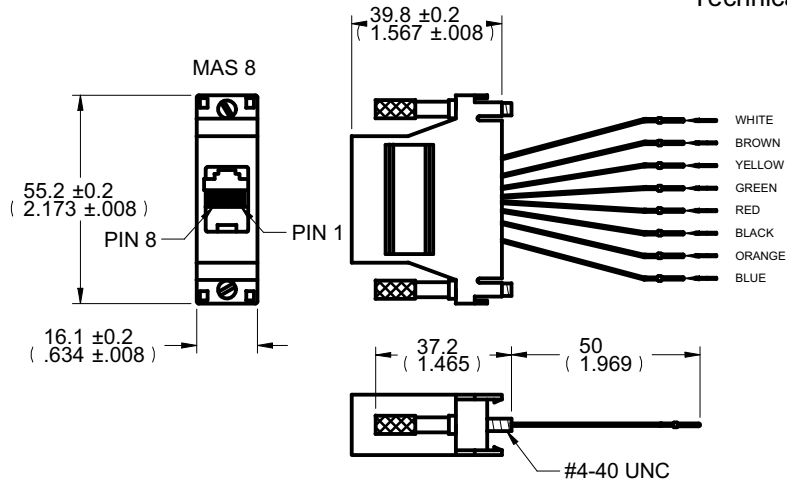
DRAWING NO.	
40-9588M-CUST	
REVISIONS	
01	OFFICIAL RELEASE
	08-10-09 J J T T W W T T <i>Betty</i> 2009.09.08 09.26.12 +0800C



Description: Mod adptr kit, DB25M-RJ45, grey
 Part No: 40-9588M
 Application: Adapter
 Crimp Tool: N/A
 Impedance: N/A
 Frequency Range: N/A
 Material: Connector DC DB25 male
 Terminal D-sub type, male
 Screw #4-40 UNC
 Jack 8P8C
 Hood 8P8C and DC25 GC plastic
 Wire UL1061 26AWG

RoHS Compliance: Yes
 Technical Detail: N/A

受控 CONTROLLED DOCUMENT				
编号 P/N	40-9588M-CUST	版本 Rev	01	日期 Rel'd Date
				SEP 14,09



DIM OUTLINE

TOLERANCE UNLESS OTHERWISE SPECIFIED		DRAWN BY	DATE
		JEAN.JIN	08-10-09
DECIMALS	mm	CHECKED BY	DATE
X	± 3	TERRY.W	08-10-09
X.X	± 0.3	APPROVED BY	DATE
X.XX	± 0.1	THOMAS	08-10-09
ANGLES	± 0.5°	U/M	mm

THIS DRAWING WAS PRODUCED BY COMPUTER, DO NOT SCALE DRAWING OR UPDATE MANUALLY.

 cinch CONNECTIVITY SOLUTIONS a bel group		
SHEET 1 OF 1	DRAWING NO. 40-9588M-CUST	SIZE A

CUSTOMER COPY

5

4

3

2

1