

EC #	APPRVD.	DATE
09-008724	PJO	11NOV09

**SAFETY ORGANIZATIONS**

THIS FILTER HAS BEEN FORMALLY RECOGNIZED, CERTIFIED OR APPROVED BY THE LISTED AGENCY. THEREFORE, ALL TEST/REQUIREMENTS SPECIFIED IN THE LATEST REVISION OF THE FOLLOWING AGENCY STANDARDS HAVE BEEN MET:

- UL RECOGNIZED: UL 1283
- CSA CERTIFIED: CSA 22.2, # 0,0,4,8
- VDE APPROVED: EN60939-2

**OPERATING SPECIFICATIONS**

LINE CURRENT/VOLTAGE: 20 AMP, 120/250 VAC,  
16 AMP/40°C, 250 VAC

LINE FREQUENCY: 50-60Hz

MAXIMUM LEAKAGE CURRENT,  
EACH LINE TO GROUND:

0.20 mA @120V 60Hz
0.40 mA @250V 50Hz

OPERATING AMBIENT TEMP. RANGE: -10°C TO +40°C @ RATED CURRENT, I<sub>r</sub>.

IN AN AMBIENT, T<sub>0</sub>, HIGHER THAN 40°C, THE MAXIMUM OPERATING CURRENT, I<sub>0</sub>, IS AS FOLLOWS:

$$I_0 = I_r \sqrt{\frac{85 - T_0}{45}}$$

**RELIABILITY SPECIFICATIONS:**

STORAGE TEMPERATURE: -40°C TO +85°C  
HUMIDITY: 21 DAYS @ 40°C 95% RH.  
CURRENT OVERLOAD TEST: 6 TIMES I<sub>r</sub> FOR 8 SECONDS

**TEST SPECIFICATIONS:**

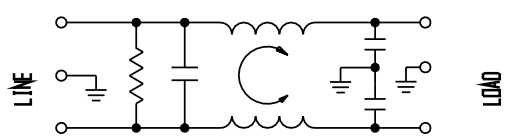
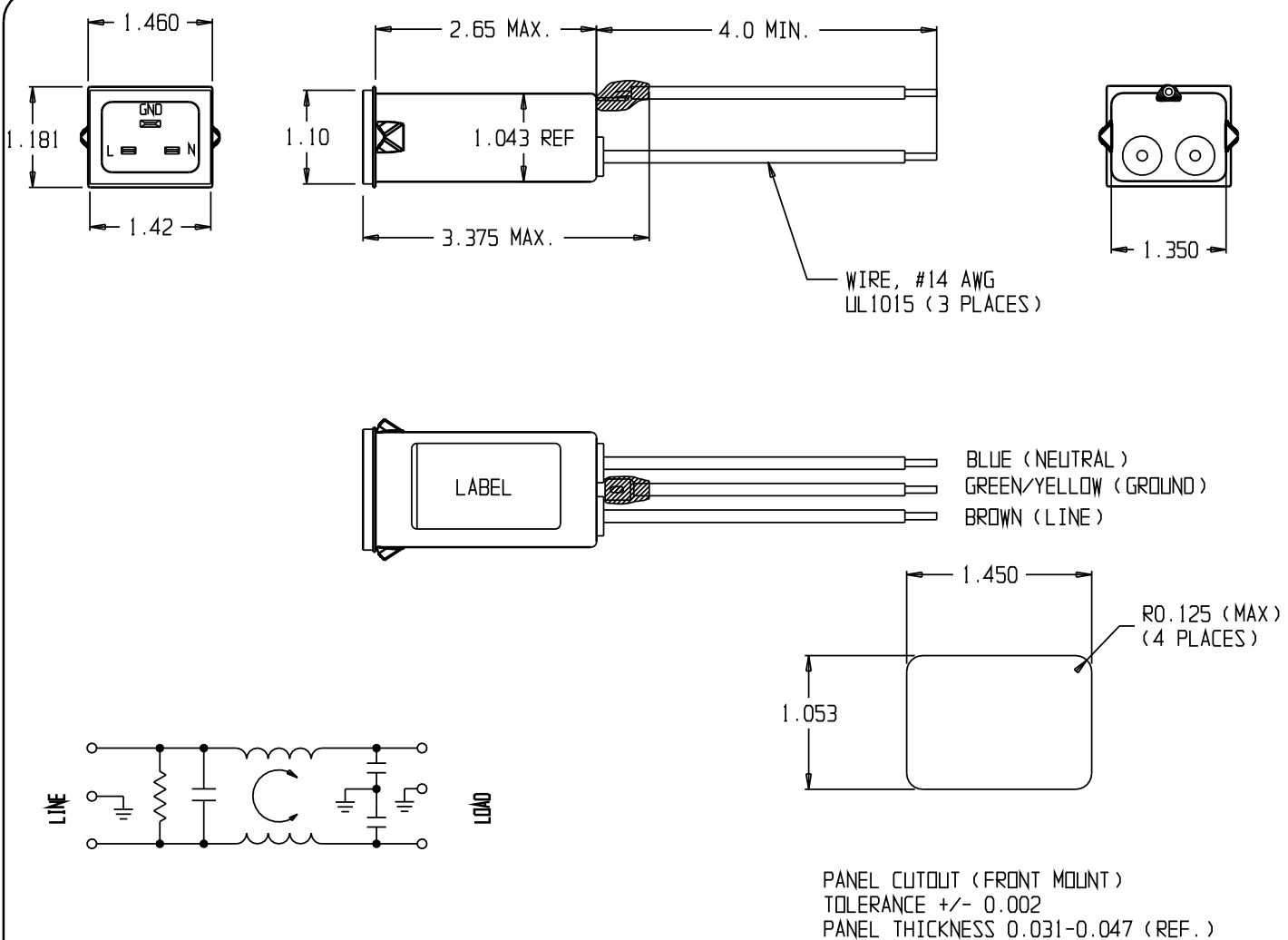
INDUCTANCE: 0.306 mH NOMINAL  
CAPACITANCE: (MEASURED @ 1KHz, 0.250VAC MAX., 25°C±1°C)  
LINE TO GROUND: 0.005524µF ±20%  
LINE TO LINE: 0.1014 µF ±20%  
DISCHARGE RESISTOR: 1.0M Ω  
L/G AND L/L I.R.  
NO DISCHARGE RESISTOR: 6000MΩ (MIN.) @ 100VDC, 20°C AND 50% RH

**RECOMMENDED RECEIVING INSPECTION HIPOT:**

LINE TO GROUND: 1500 VAC FOR 1 MINUTE  
LINE TO LINE: 1450 VDC FOR 1 MINUTE

**FILTER APPROVAL:**

THE BEST WAY TO SELECT AND QUALIFY A FILTER IS FOR YOUR ENGINEERING TO TEST THE UNIT IN YOUR EQUIPMENT.



PANEL CUTOUT (FRONT MOUNT)  
TOLERANCE +/- 0.002  
PANEL THICKNESS 0.031-0.047 (REF.)

50Ω - 50Ω (MINIMUM) INSERTION LOSS								THIRD ANGLE PROJECTION		<p>TYCO ELECTRONICS CORPORATION AND ITS WORLDWIDE SUBSIDIARIES AND AFFILIATES. IT MAY NOT BE DISCLOSED TO ANYONE OTHER THAN TYCO ELECTRONICS PERSONNEL, WITHOUT WRITTEN AUTHORIZATION FROM TYCO ELECTRONICS CORPORATION, HARRISBURG, PENNSYLVANIA USA</p>				
FREQUENCY MHz	0.1	.15	.5	1	3	5	10	30			CORCORN PRODUCTS, 620 S. BUTTERFIELD RD. MUNDELEIN IL 60060			
COMMON dB	3	5	14	21	27	30	33	42			POWER LINE FILTER			
DIFF. dB		2	17	25	30	27	35	48			TYCO ELECTRONICS PART NO. 0-6609007-7			
											SCALE: NTS	DATE: 04APR03	CATALOG NO. 20EJS8	REV. G
											DRW. BY: PJO	DRG: PJO		