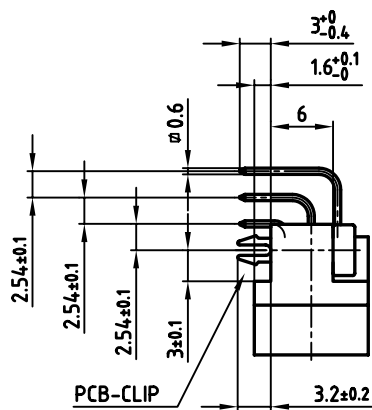
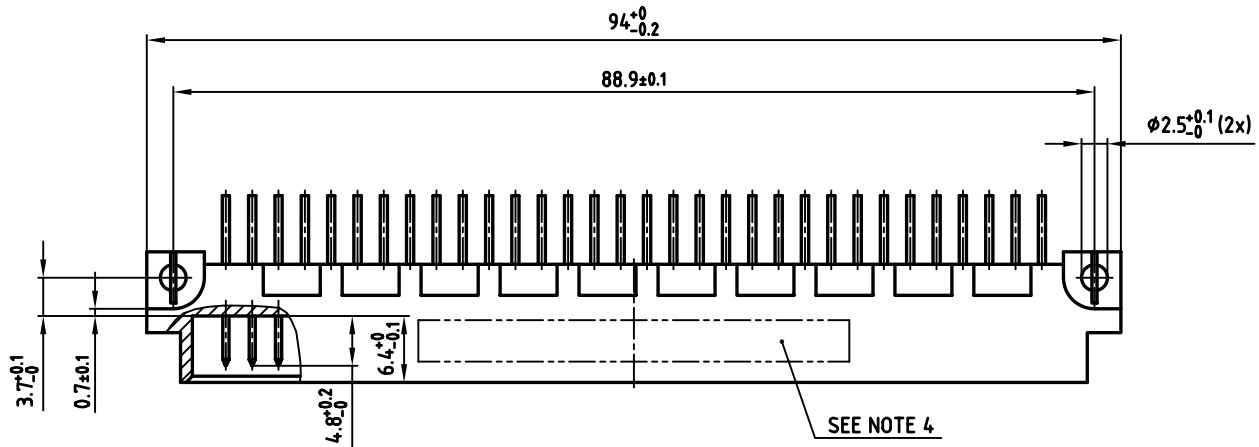
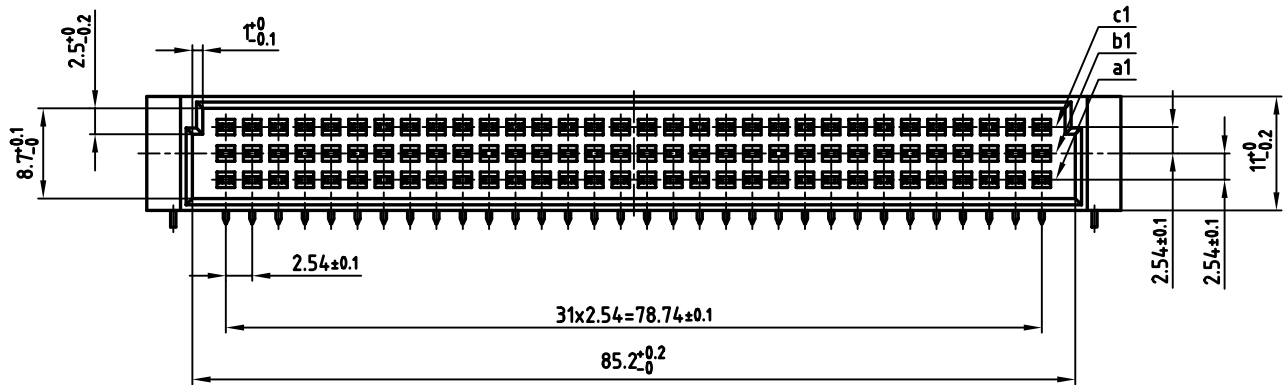


used for: DIN EN 60603-2 TYPE "C"

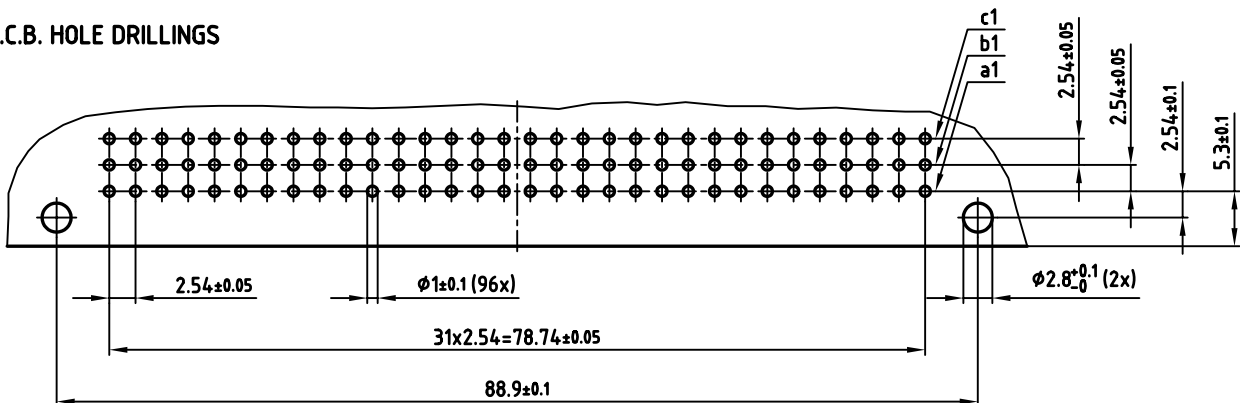


Directive 2002/95/EC
RoHS
Compliant

NOTES:

1. INSULATORS: PBTP UL 94 V-0, GREY
2. CONTACTS: COPPER ALLOY
PLATING: GOLD OVER NICKEL
50 MATING CYCLES
3. PCB-CLIP: COPPER ALLOY
PCB HOLE $\phi 2.8 \pm 0.1$ / PCB THICKNESS $t = 1.6 \text{mm}$
4. CONNECTOR IS PART MARKED: 121A20919X CONEC ABC

P.C.B. HOLE DRILLINGS



APPROVAL * FREIGABE * DEBLOCAGE * AUTORIZACION * APPROVAL

CUSTOMER APPROVAL DATE:

NAME: TITLE:

COMPANY NAME:

APPROVAL * FREIGABE * DEBLOCAGE * AUTORIZACION * APPROVAL

THIS DRAWING MAY NOT BE COPIED OR REPRODUCED IN ANY WAY, AND MAY NOT BE PASSED ON TO A THIRD PARTY, WITHOUT WRITTEN PERMISSION. OWNERSHIP AND COPYRIGHT OF CONEC Gmbh DO NOT ALTER CAD DRAWING BY HAND

rev.	description	date	name
a	Origin		

tolerance		scale:	2:1
	dim. in mm	material:	SEE NOTES
2006	date	name	
drawn	01.06.	Lehnenkühler	
appd.	01.06.	Mickenbecker	
norm	DIN EN 60603-2		
d-old			
CONEC			

title: **MALE CONNECTOR TYPE "C"**
96pos. angled
wit clip

dwg no: AutoCAD 2006 DIN-A
12K2A197 3
sh: 1/1

part no: 121A20919X