

PRODUCT NUMBER  
20020328-XXXXXXLF

20020328-□ □ □ □ □ 0 □ L F

PITCH

C: 3.50 mm  
D: 3.81 mm



POLES


04: 2x2 POLES  
06: 2x3 POLES  
(OTHER POSITIONS ON REQUEST ONLY)

LF : DENOTED RoHS COMPATIBLE

1 : STANDARD PRODUCT W/ BOX PACKING

SCREW CODE

CODE	SCREW TYPE	AVAILABILITY
A	-/+ 	ON REQUEST ONLY
B	- 	STANDARD


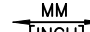
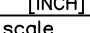
PROPERTY TABLE			
FCI SERIES NAME		25-350	25-381
PITCH (mm)		3.50	3.81
VOLTAGE RATING (VAC)		300	300
CURRENT RATING (A)		10	10
APPLICABLE WIRE RANGE (AWG)	1-WIRE	16~24	16~24
	2-WIRE	20	20
WIRE CROSS SECTION (mm <sup>2</sup> )	SOLID	1-WIRE	1.5
		2-WIRE	0.5
	STRANDED	1-WIRE	1.0
		2-WIRE	0.2
OPENING CONTACT HOUSING(mm <sup>2</sup> )		1.6x1.6	1.6x1.6
WIRE STRIP LENGTH(mm)		5~6	5~6
TORQUE +/-10% (N-m/Lb-in)		0.19/1.7	0.19/1.7
SCREW		M2.0x0.4	M2.0x0.4
WITHSTANDING VOLTAGE (kV)		1.6	1.6
OPERATING TEMP. (°C)		-40~+115	-40~+115
SOLDERING TEMP. (°C)		250±10 (5 sec.)	250±10 (5 sec.)
POLES AVAILABLE		04~06	04~06
SAFETY CERTIFICATE			

HOUSING CODE

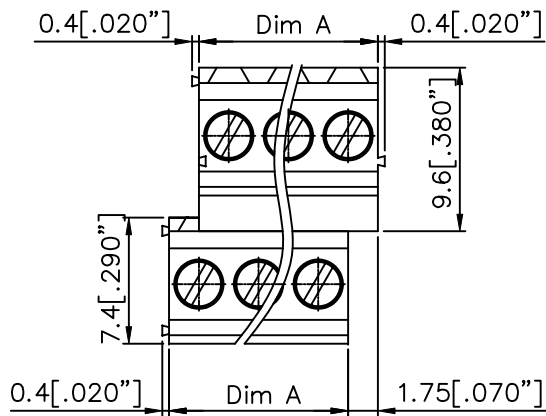
CODE	COLOR	AVAILABILITY
1	GREEN(RAL 6018/T)	STANDARD
2	BLACK	ON REQUEST ONLY
3	GREY(RAL 7004/P)	ON REQUEST ONLY
4	BLUE(RAL 5015/A)	ON REQUEST ONLY

NOTES:

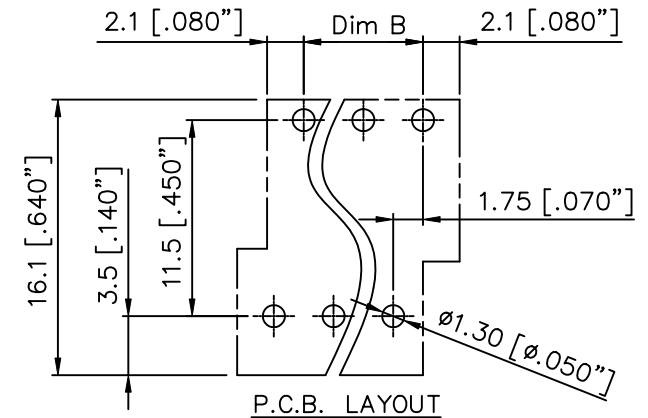
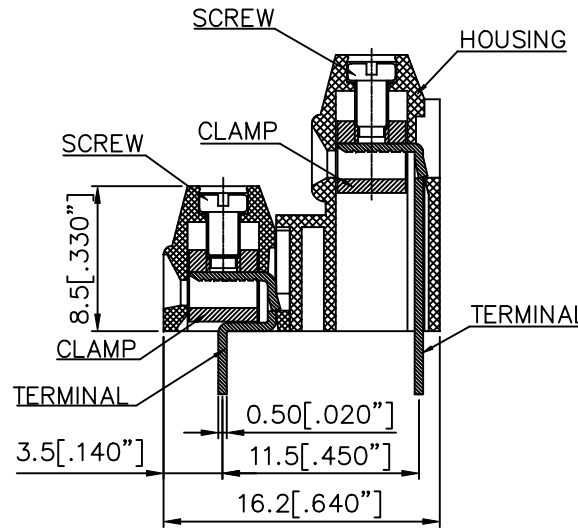
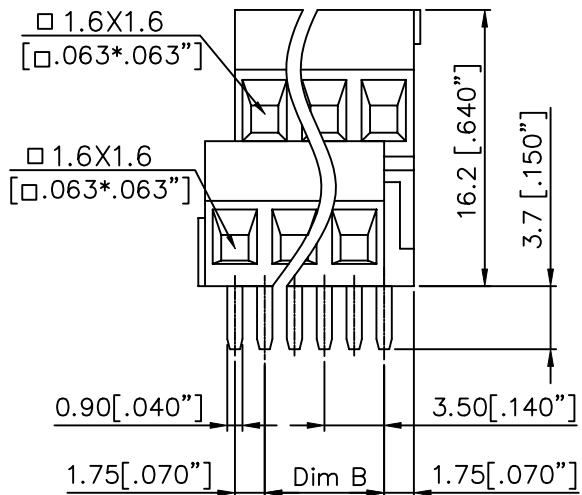
- MATERIALS  
1-1 HOUSING: THERMALPLASTIC RESIN, UL 94V-0 RATED.  
1-2 SCREW: STEEL, ZINC PLATED.  
1-3 CLAMP: COPPER ALLOY, NICKEL PLATED.  
1-4 TERMINAL: COPPER ALLOY, TIN PLATED.
- PRODUCT SPECIFICATION REFER TO FCI GS-12-625.
- PRODUCT PACKING SPECIFICATION REFER TO FCI GS-14-1394.
- FCI, SAFETY CERTIFICATE LOGO AND SERIES NAME TO BE SHOWN ON PRODUCT SURFACE.
- THE PRODUCTS WHERE THE PART NUMBER END IN "LF" MEET THE EUROPEAN UNION DIRECTIVE AND OTHER COUNTRY REGULATIONS AS DESCRIBED IN GS-22-008.
- RECOMENDED SOLDERING PROCESS BY WAVE SOLDER.

mat'l. code		surface ASME Y14.5 ✓		tolerance ASME Y14.5		projection 		product family TERMINAL BLOCK	
ltr	ecn no	dr	date	tolerances unless otherwise specified				title	
A	T10-0138	WL	083110	angles	X.±0.5			TERMINAL BLOCK	
B	T10-0141	WL	090710	tolerances	X.X±0.3	scale		FIXED SIGNAL PLUG, OFFSET LEFT, 2-LEVEL	
C	T10-0165	WL	101210	X*±1*	X.XX±0.1	dwg no		sheet 1 of 3 size	
				dr WENDY CHEN 081710		FCI		20020328 A4	
				enr JASON HSU 081710		type		CUSTOMER Drawing	
				chr GARY HSIEH 081710					
				appd JOSEPH HSIA 081710					
sheet index	revision sheet	C	C	C	C				
		1	2	3					

PRODUCT NUMBER	SERIES NAME	PITCH
20020328-CXXXXXXLF	25-350	3.50 mm



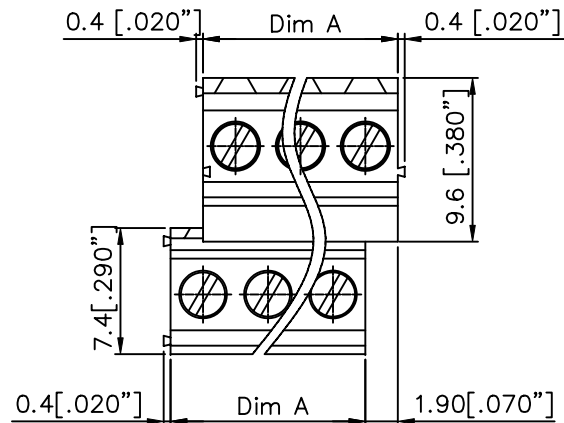
POLE	04	06
Dim A	7.00 [.275"]	10.50 [.413"]
Dim B	3.50 [.138"]	7.00 [.276"]
Tol.	±0.10 [.004"]	



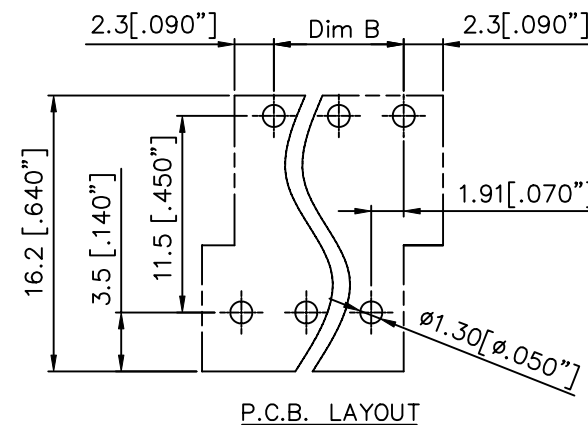
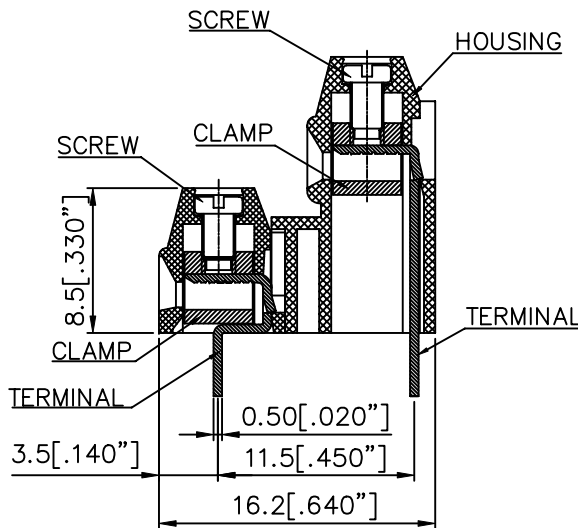
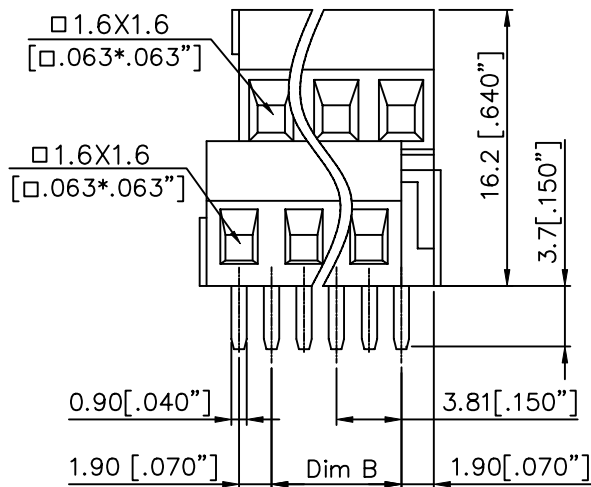
mat'l. code	surface ASME Y14.5	tolerance ASME Y14.5	projection MM INCH	product family TERMINAL BLOCK
ltr	ecn no	dr	date	title
c	tolerances unless otherwise specified			TERMINAL BLOCK FIXED SIGNAL PLUG, OFFSET LEFT, 2-LEVEL
	angles	linear	scale	dwg no 20020328
	X±1°	X.X±0.1		sheet 2 of 3 size A4
	dr	WENDY CHEN	081710	type CUSTOMER Drawing
	enr	JASON HSU	081710	
	chr	GARY HSIEH	081710	
	appd	JOSEPH HSIA	081710	
sheet index	revision sheet			



PRODUCT NUMBER	SERIES NAME	PITCH
20020328-DXXXXXXLF	25-381	3.81 mm



POLE	04	06
Dim A	7.62 [.300"]	11.43 [.450"]
Dim B	3.81 [.150"]	7.62 [.300"]
Tol.	±0.10 [.004"]	



mat'l. code	surface ASME Y14.5	tolerance ASME Y14.5	projection MM INCH	product family TERMINAL BLOCK	
ltr	ecn	no	dr	date	title
c	tolerances unless otherwise specified				TERMINAL BLOCK FIXED SIGNAL PLUG, OFFSET LEFT, 2-LEVEL
	angles	X.±0.5	scale	dwg no	sheet 3 of 3 size
	X°±1'	X.X±0.3		20020328	A4
		X.XX±0.1		type	CUSTOMER Drawing
	dr	WENDY CHEN	081710		
	enr	JASON HSU	081710		
	chr	GARY HSIEH	081710		
	appd	JOSEPH HSIA	081710		
sheet index	revision sheet				