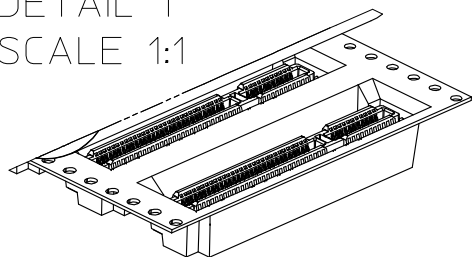


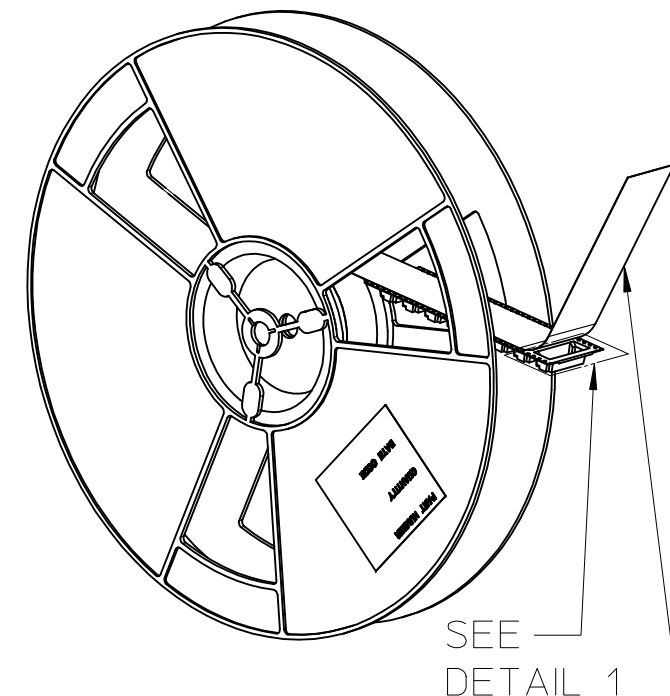
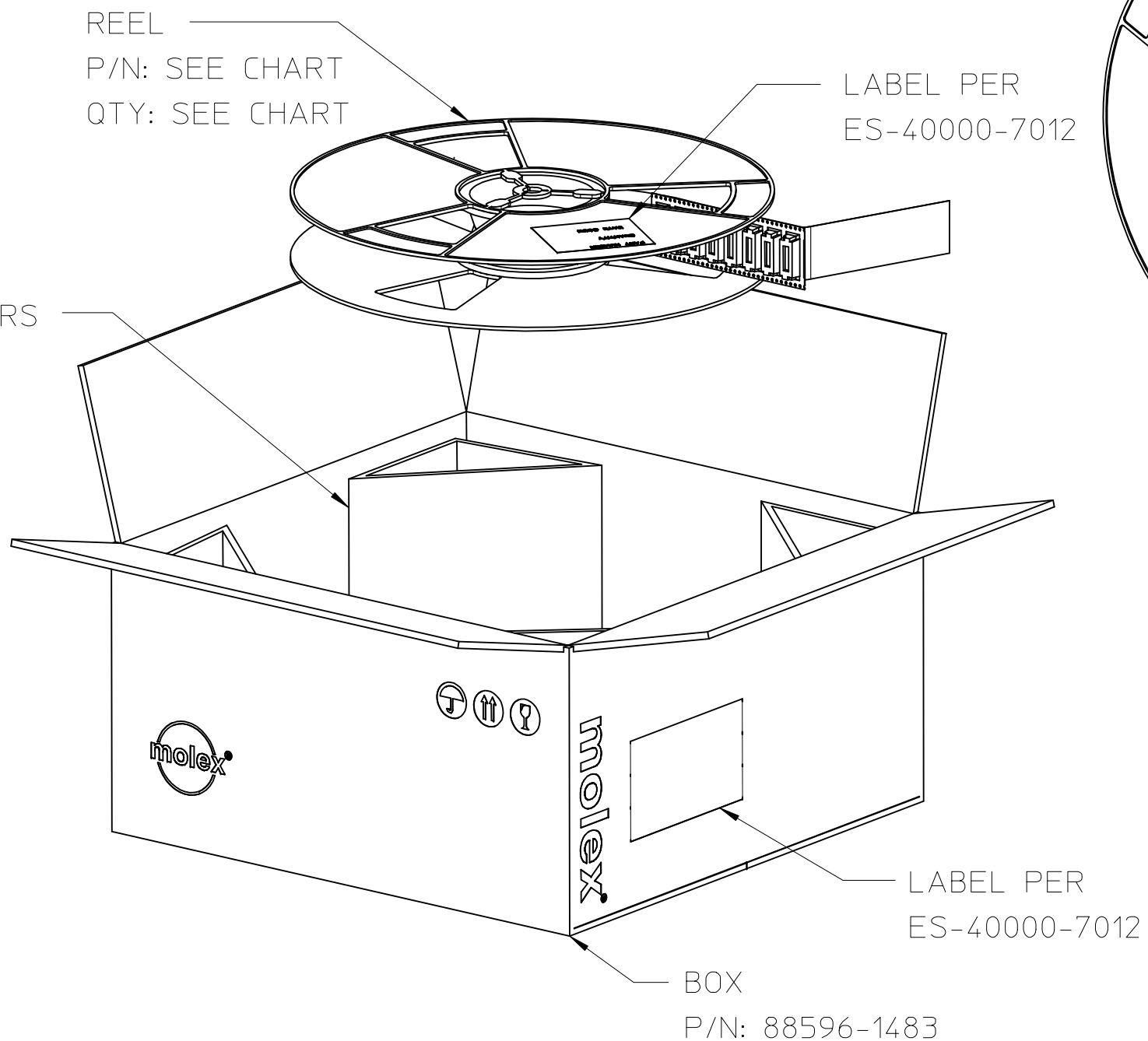
PULL ANGLE FOR PEEL TEST
SCALE 1:1

DETAIL 1
SCALE 1:1

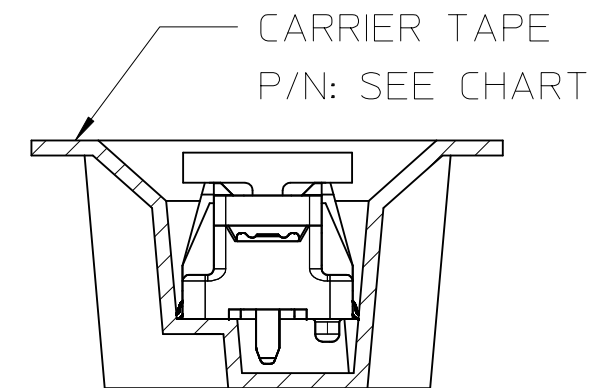


82-CKT PART TO
BE ORIENTED IN
THIS DIRECTION

TRIANGLE SPACERS
P/N: 88596-0833
QTY: 4



COVER TAPE
P/N: SEE CHART



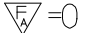
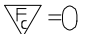
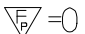


PART ORIENTATION
WITH VACUUM CAP
SCALE 4:1

NOTES:

- PLEASE REFER TO EIA STANDARD E-481-D FOR ALL ITEMS NOT COVERED BY THIS PACKAGING SPECIFICATION.
- THE COVER TAPE MUST NOT EXTEND OVER THE EDGES OF THE EMBOSSED CARRIER TAPE OR COVER ANY PART OF THE SPROCKET HOLES.
- EACH REEL AND CARTON MUST HAVE A LABEL AFFIXED TO IT WITH THE FOLLOWING INFORMATION: CONNCTOR ITEM NO., QUANTITY AND DATE CODE.
- ALL PACKAGING COMPONENT MATERIALS (COVER TAPE, EMBOSSED CARRIER TAPE AND CARRIER REEL) ARE 100% ANTI-STATIC.
- ABSOLUTELY NO TAPE SPLICES ARE PERMITTED ON FINISHED REELS.
- PACKAGING MATERIALS:
COVER TAPE - COMPOSITE OF POLYETHYLENE TEREPHTHALATE (PET) AND POLYFILM (PEF)
EMBOSSED CARRIER TAPE - POLYSTYRENE (PS)
CARRIER REEL - POLYSTYRENE (PS)
- THE COVER TAPE MUST HAVE A PEEL STRENGTH BETWEEN 10 AND 65 GRAMS PER SIDE WHEN PULLED OPPOSITE THE DIRECTION OF THE CARRIER TAPE TRAVEL SUCH THAT THE COVER TAPE MAKES AN ANGLE OF 0°/15° AS SHOWN IN DETAIL W. THE EMBOSSED CARRIER TAPE OR COVER TAPE MUST BE PULLED WITH A VELOCITY OF 300±10.

CHANGE QTY EC NO: UCP2017-0905 DRWN: JBINGHAM 2016/10/21 CHKD: DMCOWAN 2016/10/21 APPR: DMCOWAN 2017/05/12	DESCRIPTION REV	QUALITY SYMBOLS	GENERAL TOLERANCES (UNLESS SPECIFIED)		DIMENSION STYLE MM ONLY		SCALE 1:4	DESIGN UNITS METRIC	THIRD ANGLE PROJECTION		
		$\nabla_A=0$	4 PLACES	± ---	± ---	DRAWN BY JBINGHAM	DATE 2013/08/06	TITLE SPEEDSTACK/SPEEDEDGE RECEPTACLE PACKAGING SPECIFICATION			
		$\nabla_B=0$	3 PLACES	± ---	± ---	CHECKED BY JLAURX	DATE 2013/08/06				
		$\nabla_C=0$	2 PLACES	± 0.10	± ---	APPROVED BY JLAURX	DATE 2014/06/18				
			1 PLACE	± ---	± ---	MATERIAL NO. 70873-6002		DOCUMENT NO. PK-70873-6002		SHEET NO. 1 OF 2	
			0 PLACE	± ---	± ---	SIZE B		THIS DRAWING CONTAINS INFORMATION THAT IS PROPRIETARY TO MOLEX INCORPORATED AND SHOULD NOT BE USED WITHOUT WRITTEN PERMISSION			
			ANGULAR ± 1° DRAFT WHERE APPLICABLE MUST REMAIN WITHIN DIMENSIONS								

CONNECTOR P/N	CKT SIZE	CARRIER TAPE P/N	COVER TAPE P/N	REEL P/N	PARTS/ REEL	REELS/ BOX	MOQ/ SPQ
171450-3102	22	70180-0191	89499-0121	88596-1399	800	6	4800
171450-5102	22	70180-0215	89499-0121	88596-1399	800	6	4800
171450-0105	60	70180-0194	89499-0123	88596-1401	700	4	2800
171450-3106	60	70873-6002	89499-0123	88596-1401	600	4	2400
171450-5106	60	70180-0198	89499-0123	88596-1401	700	4	2800
171450-9993	60	70180-0198	89499-0123	88596-1401	700	4	2800
171450-9995	60	70180-0198	89499-0123	88596-1401	700	4	2800
173300-0106	60	70180-0211	89499-0123	88596-1401	600	4	2400
173300-9993	60	70180-0213	89499-0123	88596-1401	600	4	2400
171450-3114	82	70180-0195	89499-0124	88596-1402	600	3	1800
171450-5114	82	70180-0216	89499-0124	88596-1402	600	3	1800
173300-0114	82	70180-0212	89499-0124	88596-1402	600	3	1800
173300-9994	82	70180-0217	89499-0124	88596-1402	600	3	1800

SEE SHEET 1 EC NO: UCP2017-0905 DRWN: JBINGHAM 2016/10/21 CHKD: DMCGOWAN 2016/10/21 APPR: DMCGOWAN 2017/05/12	QUALITY SYMBOLS  = 0  = 0  = 0	GENERAL TOLERANCES (UNLESS SPECIFIED)		DIMENSION STYLE MM ONLY		SCALE 1:1	DESIGN UNITS METRIC	 THIRD ANGLE PROJECTION		
			mm	INCH	DRAWN BY JBINGHAM	DATE 2013/08/06	TITLE SPEEDSTACK/SPEEDEDGE RECEPTACLE PACKAGING SPECIFICATION			
		4 PLACES	± ---	± ---	CHECKED BY JLAURX	DATE 2013/08/06				
		3 PLACES	± ---	± ---	APPROVED BY JLAURX	DATE 2014/06/18				
		2 PLACES	± 0.10	± ---	MATERIAL NO. 70873-6002					
1 PLACE	± ---	± ---	DRAFT WHERE APPLICABLE MUST REMAIN WITHIN DIMENSIONS							
0 PLACE	± ---	± ---	SIZE A THIS DRAWING CONTAINS INFORMATION THAT IS PROPRIETARY TO MOLEX INCORPORATED AND SHOULD NOT BE USED WITHOUT WRITTEN PERMISSION							