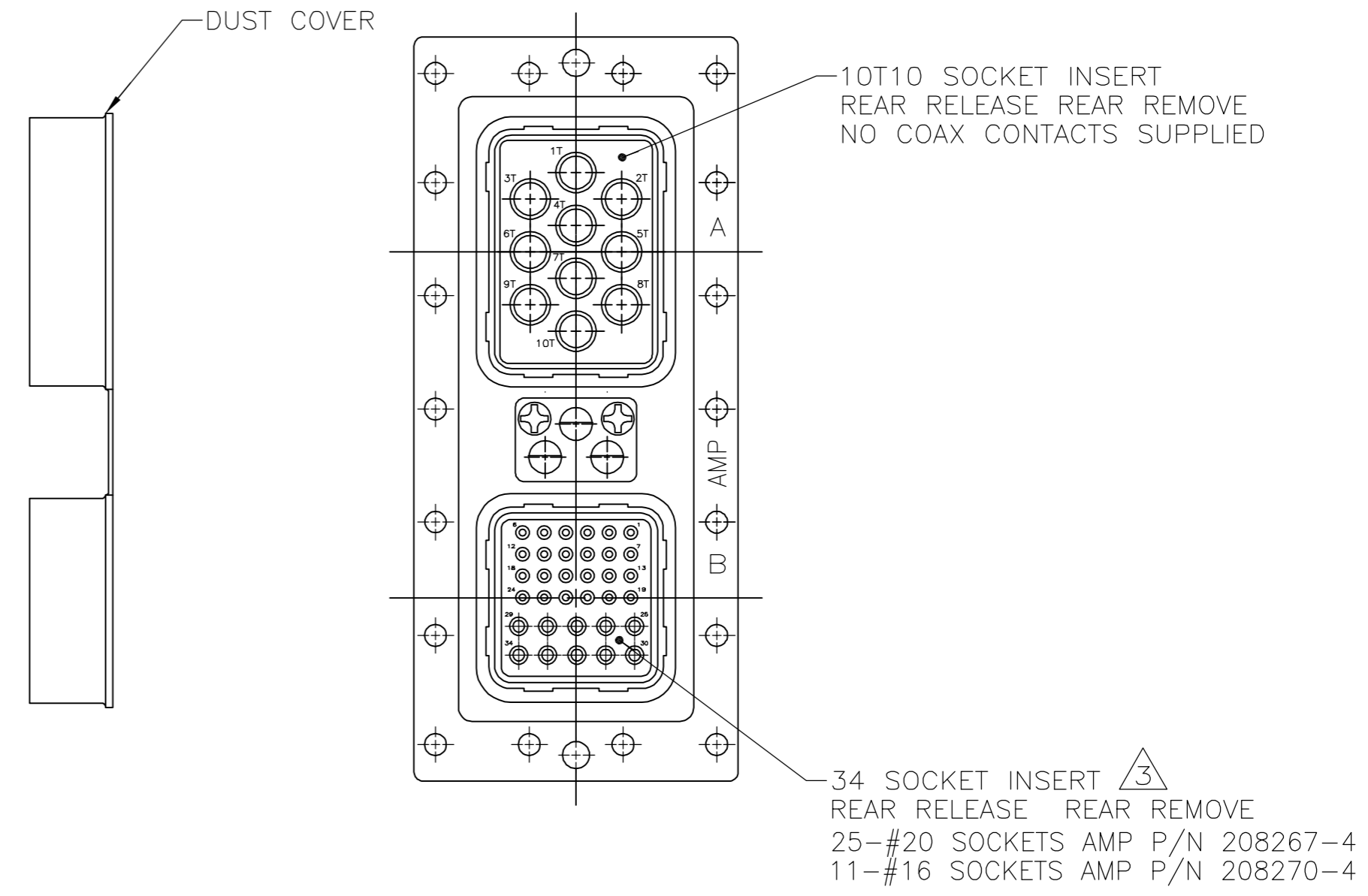
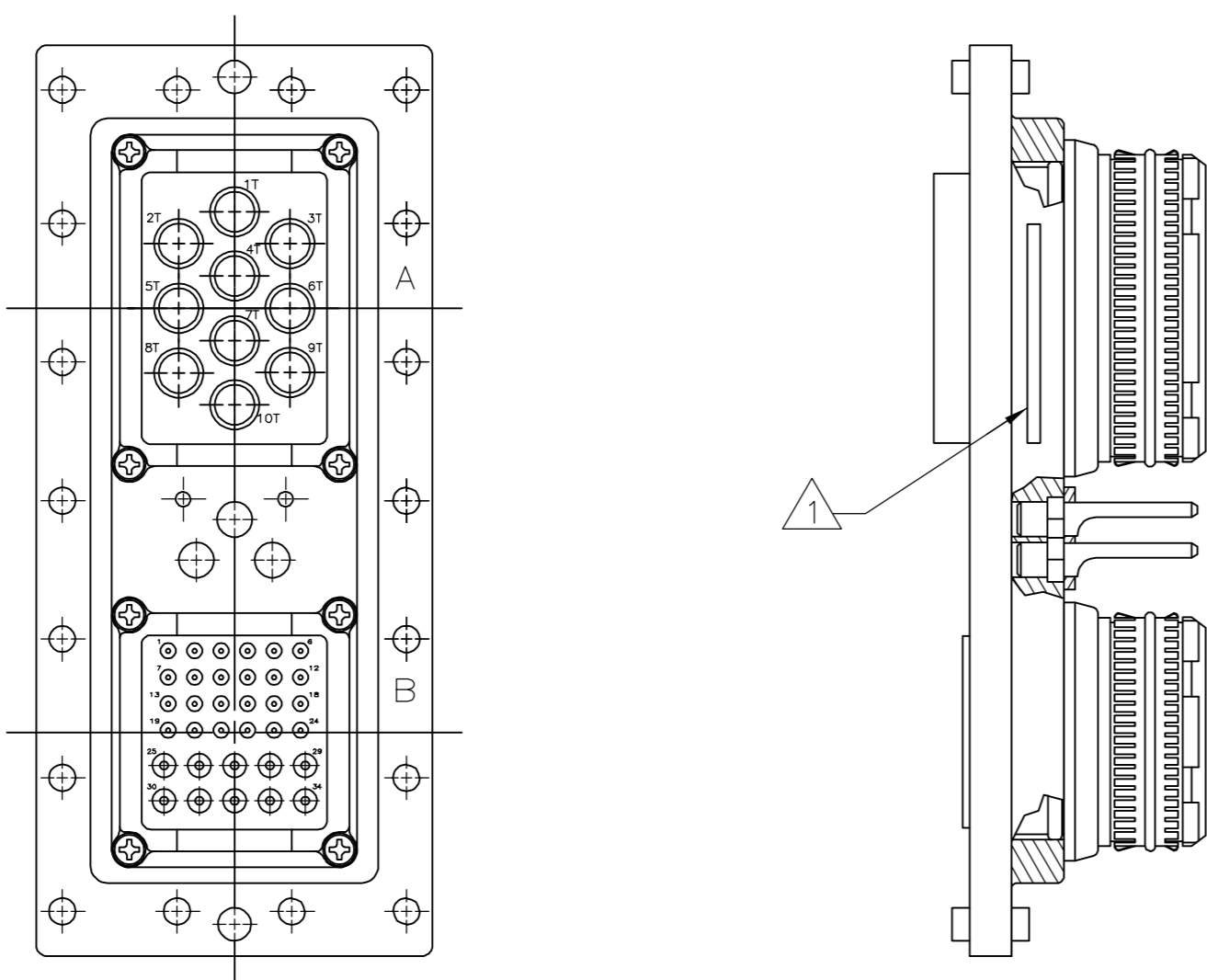


THIS DRAWING IS UNPUBLISHED. RELEASED FOR PUBLICATION
 © COPYRIGHT BY TYCO ELECTRONICS CORPORATION. ALL RIGHTS RESERVED.

LOC	DIST	REVISIONS			
P	LTR	DESCRIPTION	DATE	DWN	APVD
DF	A0	REV PER ECO-06-007200	31MAR06	PY	KH



- 1 AMP, AMP PART NUMBER AND DATE CODE MARKED IN AREA SHOWN.
- 2 KEYED IN "01" POSITION.
- 3 CONTACTS ARE PACKAGED SEPARATELY.

WARNING: THIS DOCUMENT CONTAINS TECHNICAL DATA WHOSE EXPORT IS RESTRICTED BY THE ARMS EXPORT CONTROL ACT (TITLE 22, U.S.C. SECTION 2751, ET SEQ.) OR THE EXPORT ADMINISTRATION ACT OF 1979, AS AMENDED (TITLE 50, U.S.C., APP. 2401 ET SEQ.) VIOLATIONS OF THESE EXPORT LAWS ARE SUBJECT TO SEVERE PENALTIES.

443964-1
 PART NO.

THIS DRAWING IS A CONTROLLED DOCUMENT.		DWN	C.C.THOMAS	5-1-97	Tyco Electronics Corporation Harrisburg, Pa 17105-3608			
DIMENSIONS: INCHES		CHK	A.SHARPE	5-1-97				
TOLERANCES UNLESS OTHERWISE SPECIFIED:		APVD	A.SHARPE	5-1-97				
0 PLC ± - 1 PLC ± - 2 PLC ± - 3 PLC ± - 4 PLC ± - ANGLES ± - FINISH -		PRODUCT SPEC	NAME			PLUG ASSY,M600,SIZE 2A, M6E2P10T10S34S0001A		
MATERIAL		APPLICATION SPEC	WEIGHT		SIZE	CAGE CODE	DRAWING NO	RESTRICTED TO
-		---	---		A2	00779	C=443964	---
		CUSTOMER DRAWING	SCALE		1:1	SHEET	1 OF 1	REV
								A

4439643964