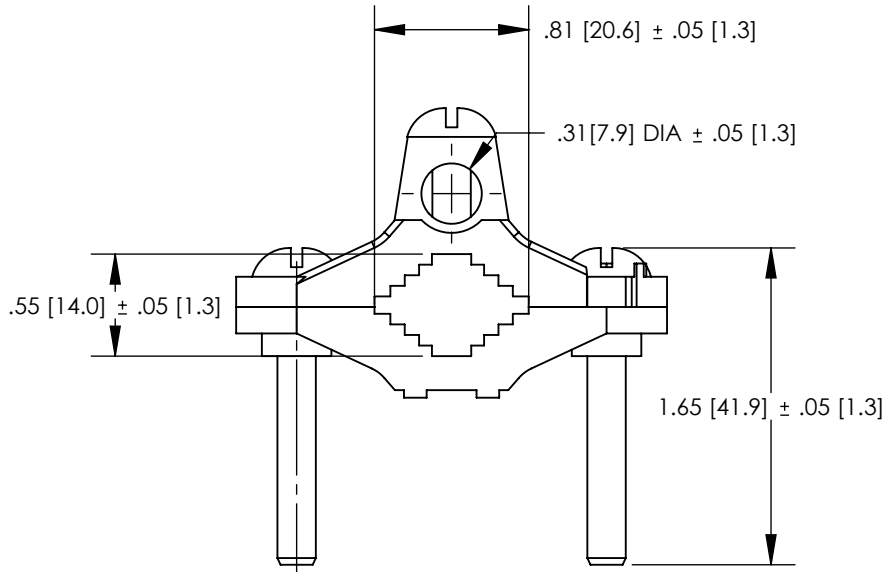
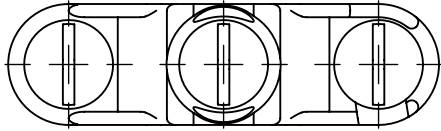


THIS COPY IS PROVIDED ON A RESTRICTED BASIS AND IS NOT TO BE USED IN ANY WAY DETRIMENTAL TO THE INTERESTS OF PANDUIT CORP.



NOTES:

- MATERIAL:
BODY - DIE CAST ZINC
SCREW - STEEL, ZINC PLATED
- PARTS ARE cULus LISTED TO UL467 AS
GROUNDING & BONDING EQUIPMENT.
- SEE WWW.PANDUIT.COM FOR PART NUMBER
SUFFIX DESIGNATION FOR PACKAGE SIZE.



PART NUMBER	DESCRIPTION	WATER PIPE	GROUNDING WIRE
GPCZ2-1	ZINC PIPE CLAMP	1/2" - 1"	8 - 2 STR

REV	DATE	BY	CHK	APR	DESCRIPTION	ECN
01	10/12	JHNU	SRBI	RGB	REMOVED GPCY2-1 FROM DRAWING	10J018AT-JC
00	7/12	JHNU	SRBI	RGB	DRAWING RELEASED	10J018AT-JC

TITLE GROUND CLAMP, 1/2"-3/4"-1" CUSTOMER DRAWING			
ITEM REVISION NAME 10J018AT/01		PANDUIT TM	
DATASET FILE NAME 10J018AT-JC/01.SLDDRW			
UNLESS OTHERWISE SPECIFIED, DIMENSIONAL TOLERANCES ARE: IN [mm] .X ± .XXX ± .XX ± ANGLES ±		MATERIAL SEE NOTES	
DRAWN BY JHNU		DATE 7/12	DRAWING NUMBER 10J018AT-JC
CHK SRBI	SCALE N/A	SHEET 1 OF 1	
THIRD ANGLE PROJECTION		SIZE A	