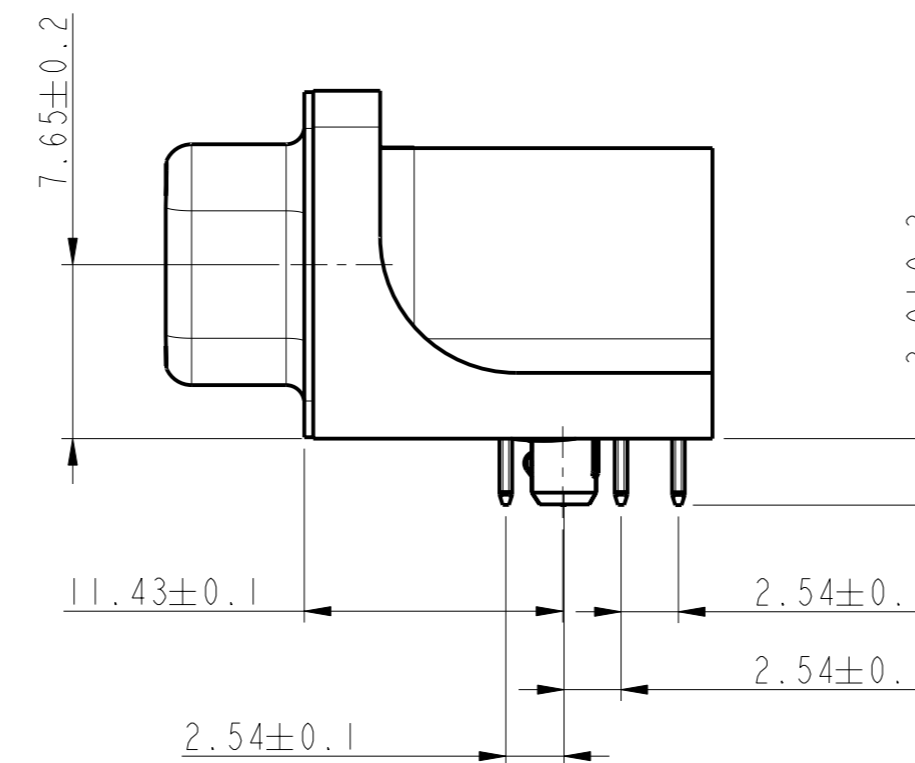
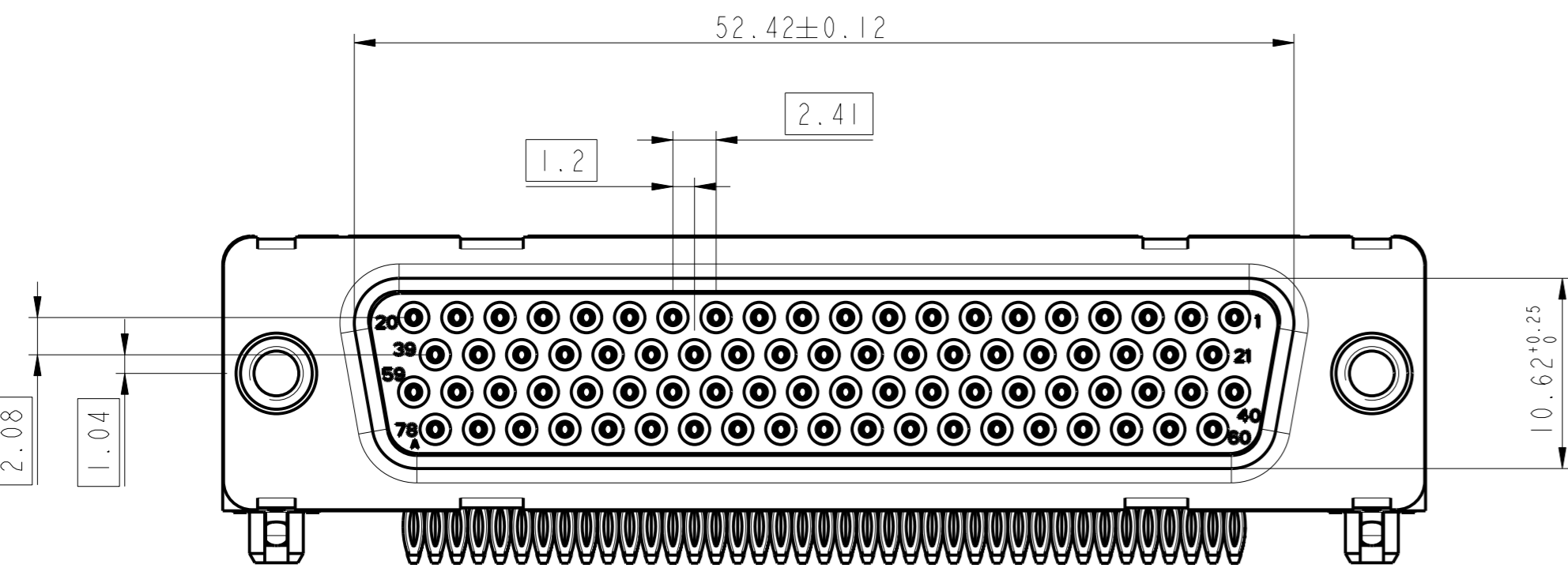
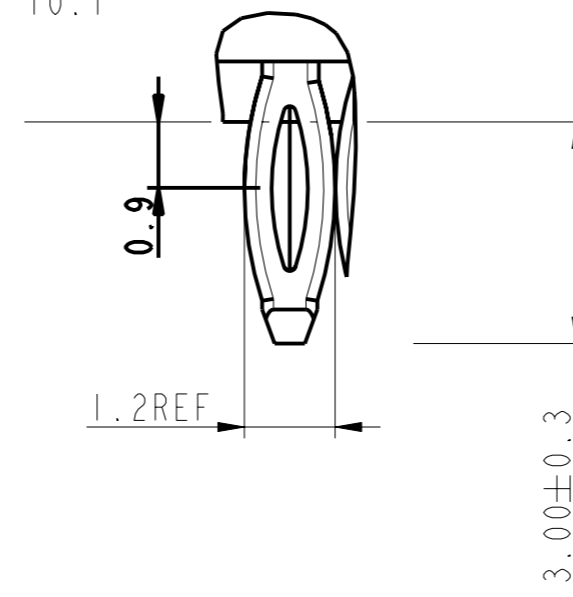
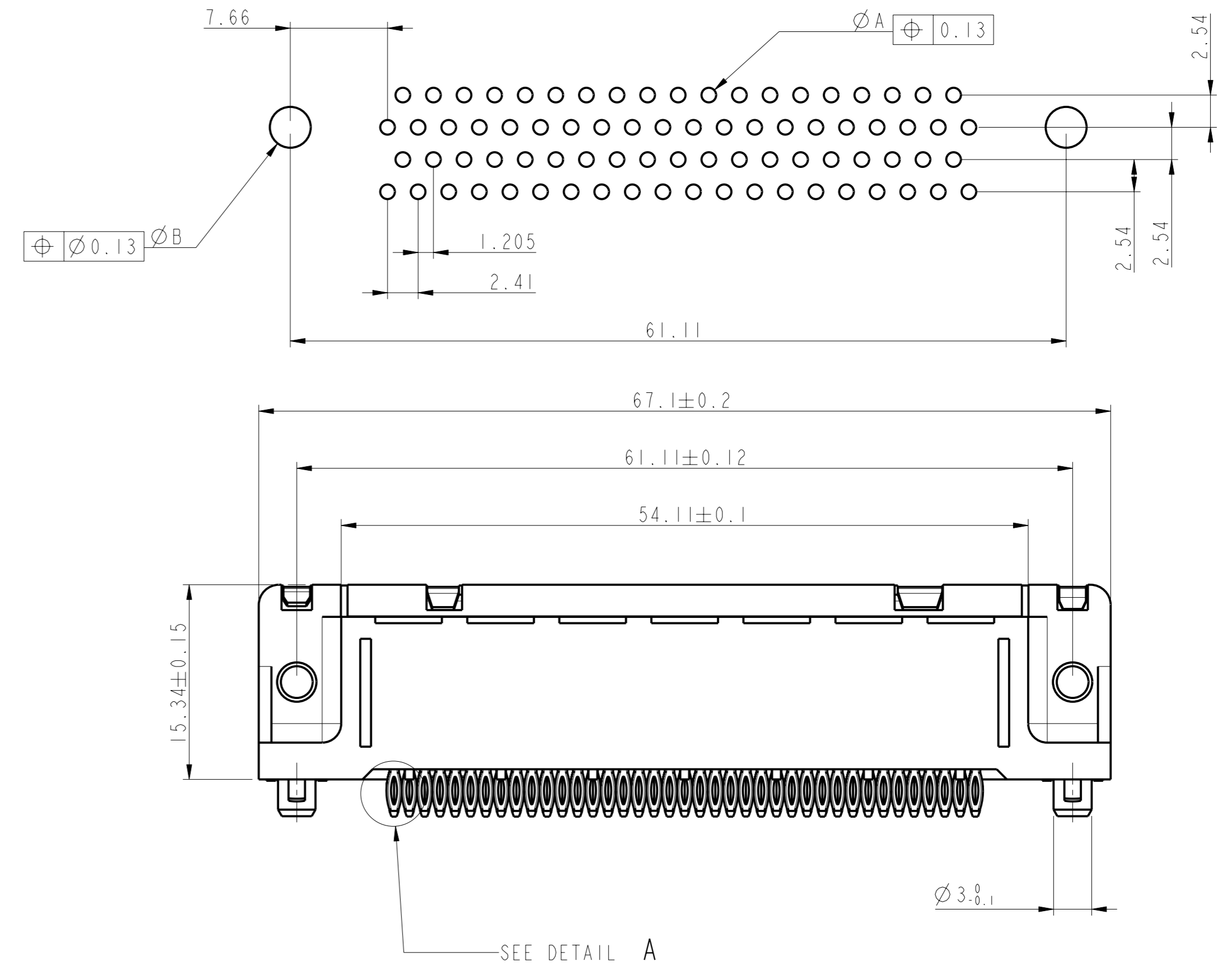


DETAIL A
SCALE 10:1



PC card drilling dimensions(after plating)
(Thickness 1.60 ±0.10mm) SCALE 3:1



REQUIREMENTS

Technical characteristics:

Shell: steel tin plated
 Insulators: self-extinguishing thermoplastic, UL class 94V0
 Contacts: phosphor bronze, gold over 2 microns mini nickel on active area and flash to 1.5 micron maxi SnPb over 1 micron mini nickel on termination
 Cycles: 500min
 gauge retention force: 0.14N

Press fit connectors:

Insertion force: 100N maxi per contact
 Extraction force: 30N mini in SnPb hole
 20N mini in pure Tin hole
 15N mini in Copper hole

Accessories:

Threaded insert: M3 brass
 retention against torque 0.7 N.m minimum
 Grounding strip: phosphor bronze, tin plated

Electrical characteristics:

Max current rating: 2.5A
 Test voltage: 750V
 Rated voltage: 300V
 Contact resistance: <35 mOhm
 Shell resistance: <5 mOhm
 Insulation resistance: >5000 MOhm

Climatic characteristics:

Operating temperature range: -55°C + 125°C
 Industrial atmosphere (bellcore test)
 4 gases, 10 days

Marking:

Ink marking on front shell
 Logo, reference FCI, code year-week

Packaging

In tray according to specification EUR-14-015

Dimensions:

In accordance with MIL-DTL-24308B

PLATING FOR TIN VERSIONS, TERMINATIONS LF ONLY

NOTE RoHS INFORMATIONS

- The "LF" products meet European union Directives and other country regulations as described in GS-22-008
- Active Part : Gold over Nickel
- Termination plating spec: 0.5 to 3 µm Nickel, 0.5 to 1.5 µm Sn
- Shell plating: 2 to 4 µm Cu + 3 to 10 µm Sn (pure bright)
- Accessories: Sn pure bright
- Packaging spec: see GS-14-920

TIN LEAD PART NUMBER

Part Number	CD78S80C6GL00
-------------	----------------------

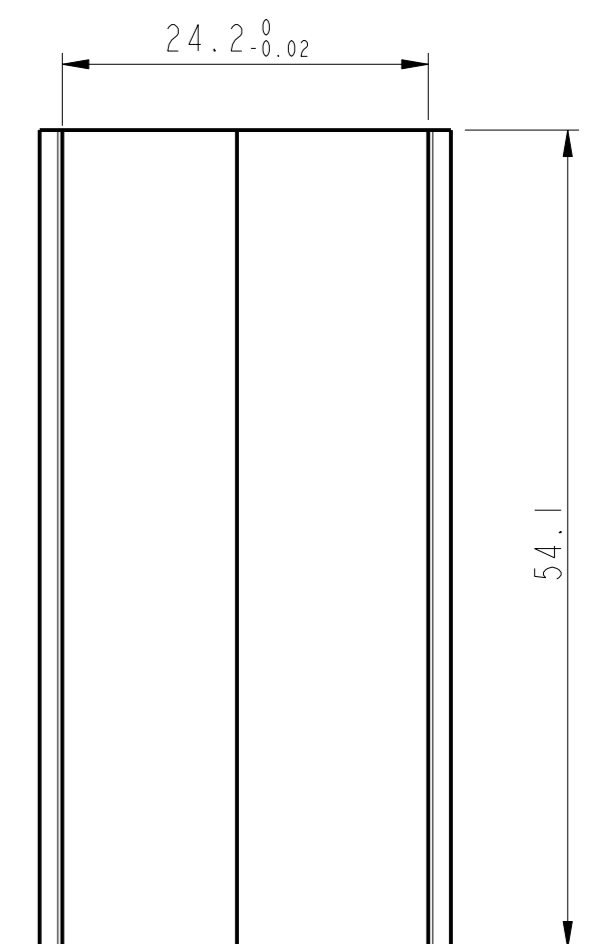
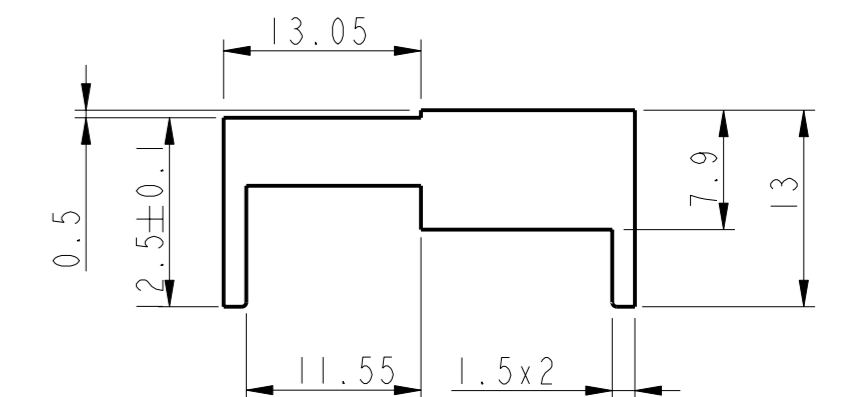
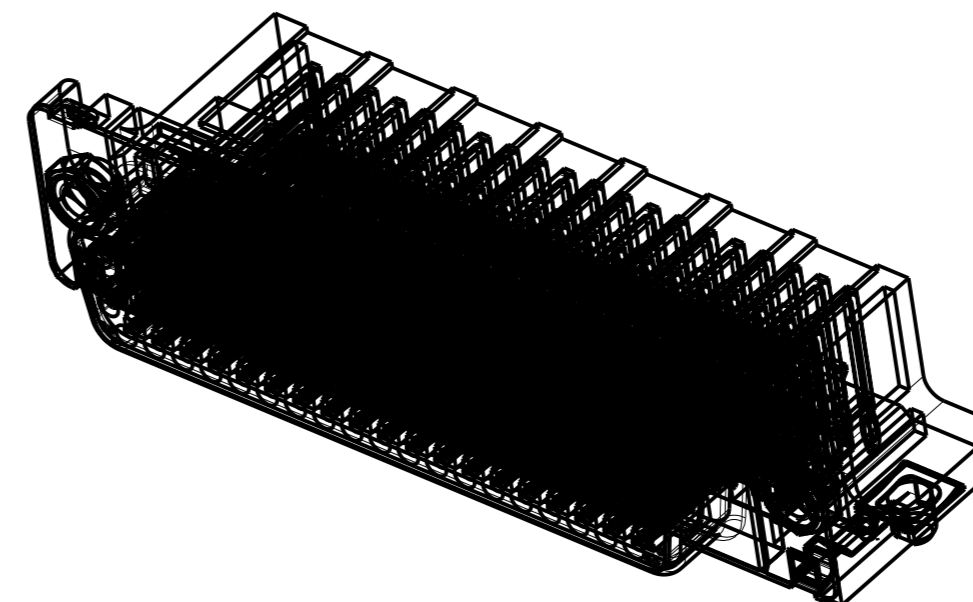
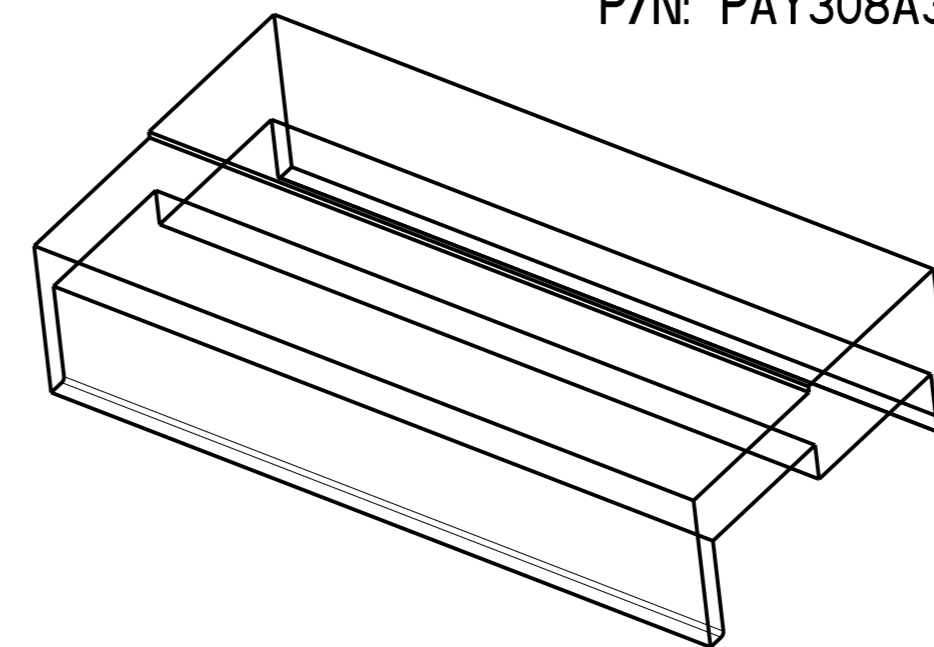
LEAD FREE PART NUMBER

Part Number	CD78S80C6GL00LF
-------------	------------------------

INTERMEDIATE PUSH BLOCK FOR INSERTION CONNECTOR ON PCB

SCALE 2:1

P/N: PAY308A342



P.C.B. HOLE DEFINITION (NOTE -1 AND -2)	DRILL DIAMETER	HOLE PRESS-FIT CONTACT SnPb	HOLE PRESS-FIT CONTACT Sn	HOLE PRESS-FIT HARPOONS SnPb	HOLE PRESS-FIT HARPOON Sn	HOLE PRESS-FIT CONTACT Copper OSP	HOLE PRESS-FIT HARPOON Copper OSP
	Ø 1.15 REF (NOTE -3)	Ø 1.15 REF (NOTE -3)	Ø 1.15 REF (NOTE -3)	Ø 3.22 REF (note-3)	Ø 3.22 REF (note 3)	Ø 1.15 REF (note 3)	Ø 3.22 REF (note-3)
	Ø 1.12 -1.18	Ø 1.12 -1.18	Ø 1.12 -1.18	Ø 3.19-3.25	Ø 3.19-3.25	Ø 1.12-1.18	Ø 3.19-3.25
	25µ mini-50µ maxi	25µ mini-50µ maxi	25µ mini-50µ maxi	25µ mini-50µ maxi	25µ mini-50µ maxi	25µ mini-50µ maxi	25µ mini-50µ maxi
	5µ mini - 15µ maxi			5µ mini-15µ maxi			
		0.8 mini to 1.2µ maxi		0.8µ mini-1.2µ maxi			
					0.20µ mini-0.5µ maxi		0.20µ mini-0.5µ maxi
	Ø 0.94-1.09	Ø 1.00-1.09	Ø 1.00-1.09	Ø 3.02-3.20	Ø 3.08-3.20	Ø 1.01-1.09	Ø 3.09-3.20

Mark with CD78S80C6GL00 REV. J in area indicated by X.....	Material - Mat code - Heatreat - Plating/Finish -	Spec ref surface ✓ tolerance ISO 406 ISO 1101 ISO 1302	projection mm
Dr PESSION Eng LEGARE 14/11/03 Chr DUMAZY 14/11/03 Appr LEGARE 14/11/03	Product family SUB D Model Name CD78S80C6GL00 Model Revision B	size AI Scale 1:1	Rev. J
SUB COMPACT D FEMALE right angled press fit 78 way		C01-8646-0846 CUSTOMER COPY sheet 1 of 1	

NOTE-1: THESE DIMENSIONS MUST BE RESPECT TO SECURE PRESS-FIT PIN PERFORMANCES.
 NOTE-2: ACCORDING TO IEC -352-5 SPEC.
 NOTE-3: MAJOR REQUIREMENT FOR PRESS-FIT PIN PERFORMANCE
 NOTE-4: DIMENSIONS AFTER REFLOW FOR PUR TIN AND TIN LEAD HOLE

FCI CONFIDENTIAL

FCI

This document is the property of FCI and contains CONFIDENTIAL and PROPRIETARY information of FCI. No part of the information shown on this document may be used in any way or disclosed to others without the prior consent of FCI. Copyright FCI.