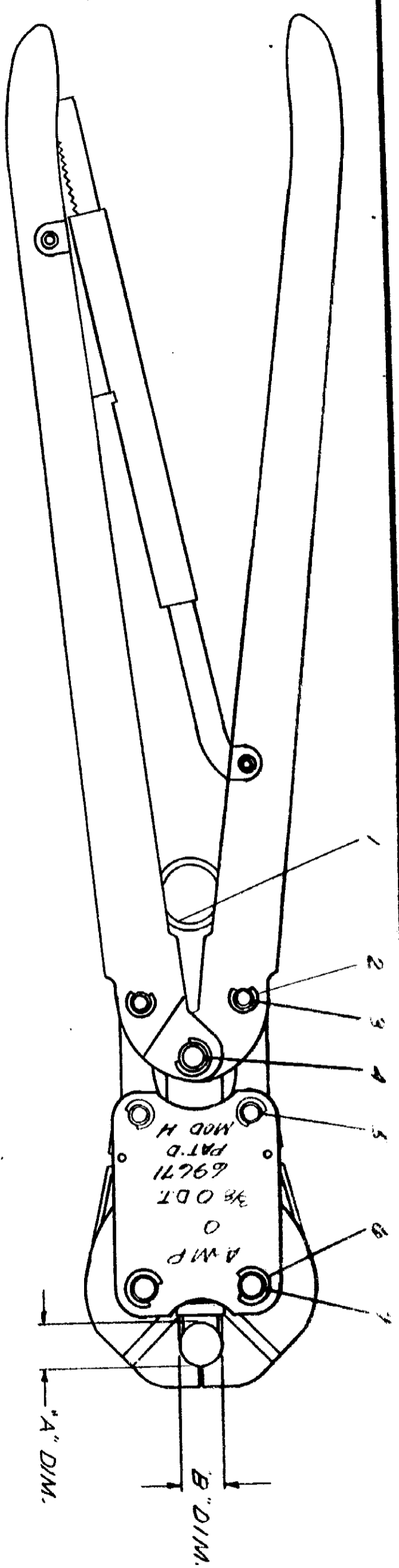


PRINT DIST  
2/1

DIMENSIONS IN INCHES. DO NOT SCALE PRINT



	"A" DIM	"B" DIM
60	463	463
NO 60	469	473

PLUG GAGE DIMENSIONS APPLY WHEN TOOL IS  
BOTTOMED BUT NOT UNDER PRESSURE.

For replacement of parts other  
than listed, Tool should be  
returned to our Factory to insure  
proper Cartl-Crimp adjustment.

LTR	REVISION RECORD	DR	CHK	DATE
H	REV & REDRAWN	PL		7-3-69

NUMBER	DESCRIPTION
69671	

DR	DATE
<i>[Signature]</i>	7-9-69
<i>[Signature]</i>	7-14-69

MATERIAL AND FINISH		CLASS	
+		+	
WIRE - RANGE - INSULATION		TYPE	
+		3/8 AMP EIT	
TOLERANCE EXCEPT AS NOTED ± .015		SCALE	
1/2"		M B	
NAME		NO	
HAND TOOL ASSY MOD H		69671	
		REV	
		H	

A

NUMBER	NAME	REMARKS	ITEM NO
2	306055-4	PIN RETAINING	1
6	21045-6	RING RETAINING	6
2	305340	PIN RETAINING	5
1	300389	PIN RETAINING	4
2	300388	PIN RETAINING	3
8	21045-3	RING RETAINING	2
1	2-304668-9	SPRING	1

B

CUSTOMER COPY  
REFERENCE ONLY



A

B

C

D