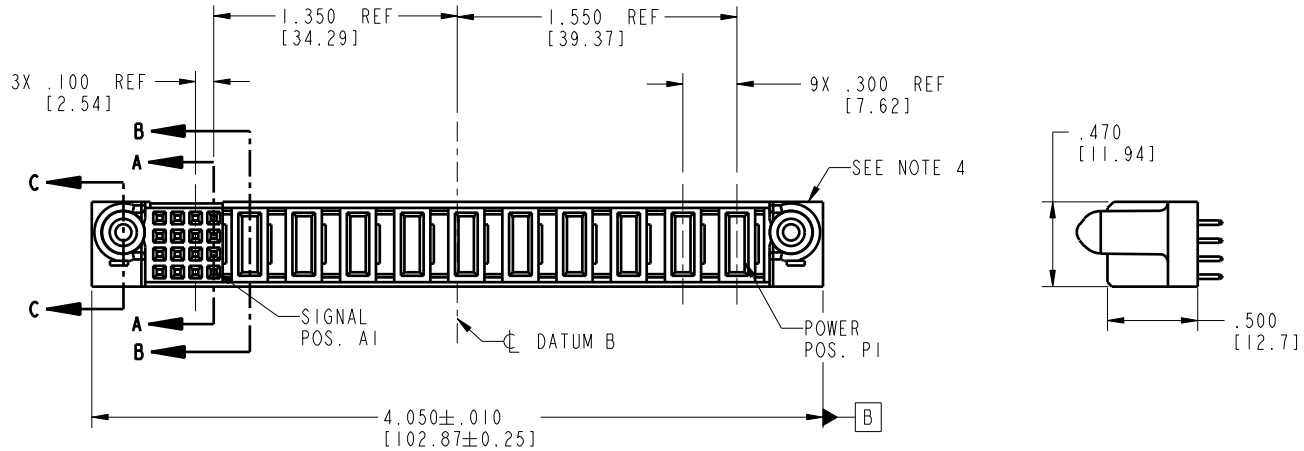


Tous droits strictement réservés. Reproduction ou communication o des liers interdite sous quelque forme que ce soit sans autorisation écrite du propriétaire. Propriété de c FCI. Droits de reproduction FCI.

All rights strictly reserved. Reproduction or issue to third parties in any form without is not permitted without written authority from the proprietor. Property of FCI. Copyright FCI.

PRODUCT NO.	ROWS	SIGNAL			POWER												
		E2	4	3	1	P10	P9	P8	P7	P6	P5	P4	P3	P2	P1	E1	
51940-103-- NOTE (3)	0 A																



CODE	DIM "M" MATING LENGTH	CONTACT TYPE
E	N/A [N/A]	SIGNAL
PA	.042 [1.07]	POWER
PD	.092 [2.34]	POWER

mat'l code				SEE NOTE 2	tolerances unless otherwise specified		CUSTOMER			www.fciconnect.com
lir	ecn no.	dr	date	linear	.XX±.01/0.X±0.3	COPY		projection		
A	V04-0878	TAB	09/03/04	linear	.XXX±.005/0.XX±0.13	INCH/MM			10P + 16S	
B	V04-1002	TAB	10/04/04	angles	.XXX±.002/0.XXX±0.051	scale		1:1	VERTICAL SOLDER RECEPT	
C	DG06-0038	RYAN	02/08/06	dr	T. BRUNGARD 09/03/04	product family		PwrBlade	code	
				engr	M. GRAY 09/03/04	size		A	213	
				chr	M. GRAY 09/03/04	dwg no		51940-103	sheet	
				opod	M. GRAY 09/03/04	code code		22526	1 of 4	
sheet index	revision	C	C	C	C					
	sheet	1	2	3	4					

Pro/E

code code 22526

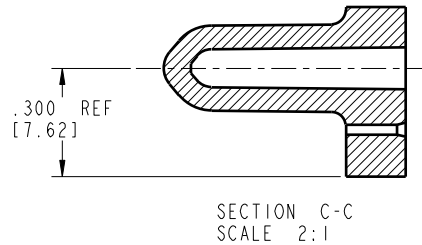
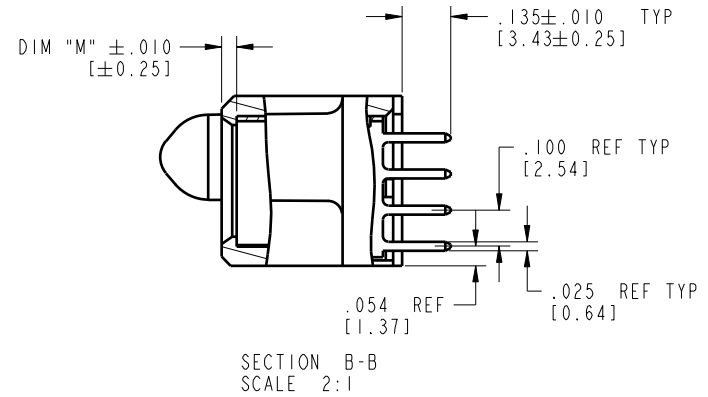
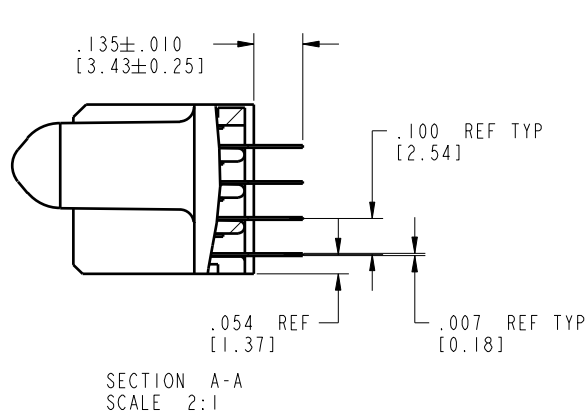
Tous droits strictement réservés. Reproduction ou communication à des tiers interdite sans quelque forme que ce soit sans autorisation écrite du propriétaire. Propriété de c FCI. Droits de reproduction FCI.

All rights strictly reserved. Reproduction or issue to third parties in any form whatsoever is not permitted without written authority from the proprietor. Property of FCI. Copyright FCI.

PRODUCT NUMBER

51940-103__

NOTE (3)



mat'l code				SEE NOTE 2	tolerances unless otherwise specified		CUSTOMER		FCI		www.fciconnect.com	
lir	ecr no.	dr	date	linear	.XX±.01/0.X±0.3	COPY		projection		title		
C					.XXX±.005/0.XX±0.13					10P + 16S		
				angles	.XXX±.002/0.XXX±0.051					VERTICAL SOLDER RECEPT		
				dr	0°±2°	T. BRUNGARD 09/03/04		INCH/MM		product family		code
				engr		M. GRAY 09/03/04		scale		PwrBlade		213
				chr		M. GRAY 09/03/04		1:1		size		sheet
				appd		M. GRAY 09/03/04				A		2 of 4
sheet index	revision sheet											

code code 22526

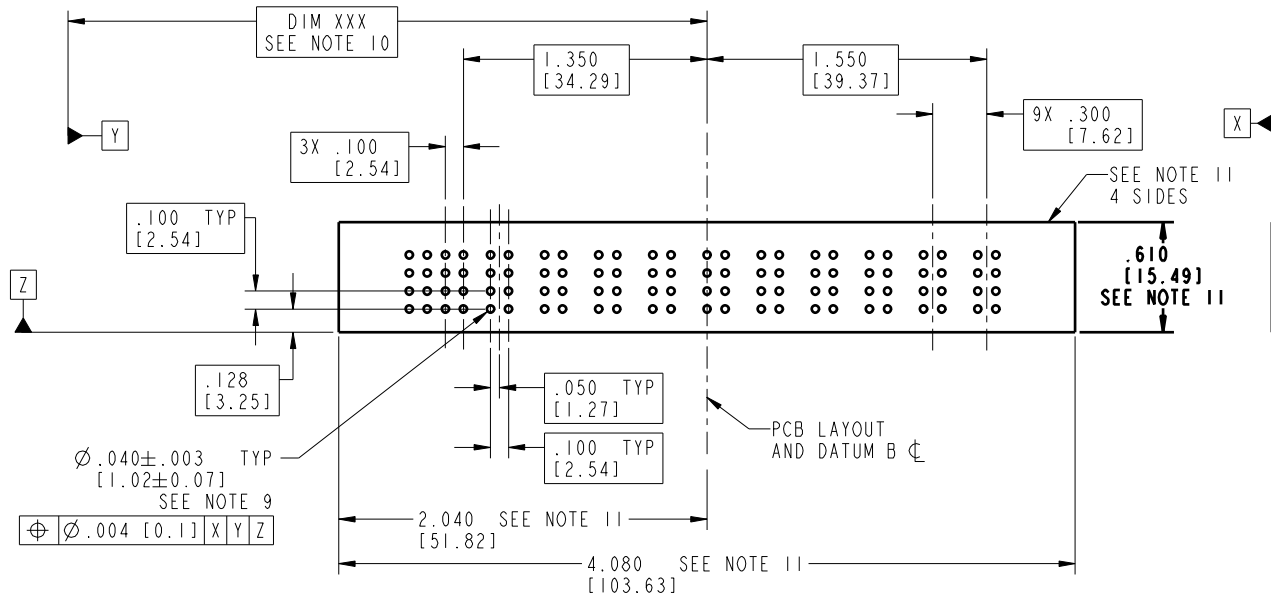
Pro/E

Tous droits strictement réservés. Reproduction ou communication à des tiers interdite sans quelque forme que ce soit sans autorisation écrite du propriétaire. Propriété de c FCI. Droits de reproduction FCI.



All rights strictly reserved. Reproduction or issue to third parties in any form whatsoever is not permitted without written authority from the proprietor. Property of FCI. Copyright FCI.

PRODUCT NUMBER
51940-103__
NOTE (3)



mat'l code SEE NOTE 2				tolerances unless otherwise specified		CUSTOMER		FCI www.fciconnect.com	
lir	ecn no.	dr	date	linear	.XX±.01/0.X±0.3	COPY		projection	title
C					.XXX±.005/0.XX±0.13				10P + 16S
				angles	.XXX±.002/0.XXX±0.051				VERTICAL SOLDER RECEPT
				dr	0°±2°				
				engr	T. BRUNGARD 09/03/04	INCH/MM		product family	PwrBlade
				chr	M. GRAY 09/03/04	scale		size	213
				appd	M. GRAY 09/03/04	1:1		dwg no	51940-103
sheet index	revision	sheet						code	3 of 4

code code 22526

Pro/E

Tous droits strictement réservés. Reproduction ou communication à des tiers interdite sans quelque forme que ce soit sans autorisation écrite du propriétaire. Propriété de c FCI. Droits de reproduction FCI.



All rights strictly reserved. Reproduction or issue to third parties in any form whatsoever is not permitted without written authority from the proprietor. Property of FCI. Copyright FCI.

1 | 2

3 |

4

PRODUCT NUMBER
51940-103__
NOTE (3)

NOTES:

1. DIMENSIONS AND TOLERANCES ARE IN ACCORDANCE WITH ASME Y14.5M, 1994 UNLESS OTHERWISE SPECIFIED.

CONNECTOR NOTES:

- (2) HOUSING MATERIAL: UL 94 V-0 GLASS FILLED
HIGH-TEMP THERMOPLASTIC
POWER CONTACT MATERIAL: COPPER ALLOY
SIGNAL PIN MATERIAL: COPPER ALLOY
- (3) PLATING:
SEE PRINT 10064183 FOR PLATING SPEC OF 51940-103; 51940-103LF
- (4) MANUFACTURER'S NAME, P/N, AND DATE CODE TO APPEAR ON THIS SURFACE.
- 5. PRODUCT SPECIFICATION GS-12-149.
APPLICATION SPECIFICATION BUS-20-067.
- 6. PACKAGED IN TRAYS.
PCB NOTES:
7. ALL HOLE DIAMETERS ARE FINISHED HOLE SIZE.
- (8) MOUNTING HOLES, WHERE APPLICABLE, ARE UNPLATED.
- (9) $\varnothing .0453 \pm .0010$ [1.151 \pm 0.025] DRILLED HOLES PLATED WITH .0003 [0.008] MIN SnPb OVER .001 [0.03] TO .003 [0.08] Cu PLATING TO ACHIEVE $\varnothing .040 \pm .003$ [1.02 \pm .07] HOLE.
- (10) "DIM XXX" TO BE DETERMINED BY THE CUSTOMER.
- (11) CONNECTOR KEEP-OUT ZONE.

mat'l code		SEE NOTE 2		tolerances unless otherwise specified		CUSTOMER		A FCI		www.fciconnect.com	
lir	ecr no.	dr	date	linear	.XX±.01/0.X±0.3	COPY		projection		title	
C					.XXX±.005/0.XX±0.13					10P + 16S	
				angles	.XXX±.002/0.XXX±0.051					VERTICAL SOLDER RECEPT	
				dr	0° ± 2°	INCH/MM		product family		code	
				eng	T. BRUNGARD 09/03/04	1:1		PwrBlade		213	
				chr	M. GRAY 09/03/04			size		sheet	
				appd	M. GRAY 09/03/04			A		4 of 4	
sheet index		revision sheet									

1 | 2

Pro/E

3 |

code code 22526

4