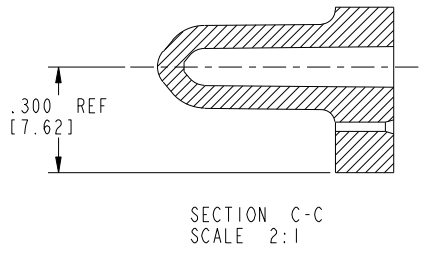
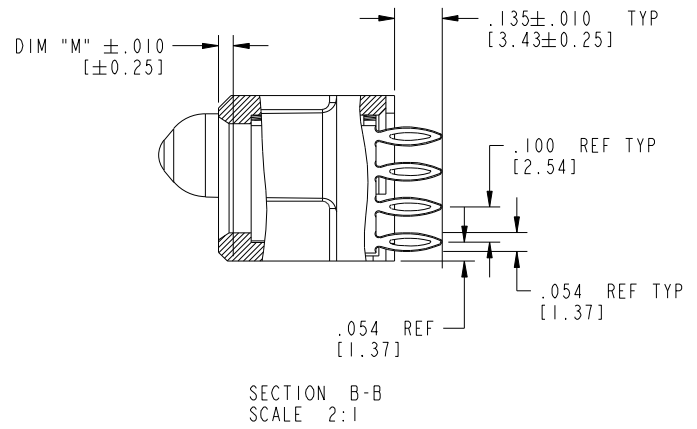
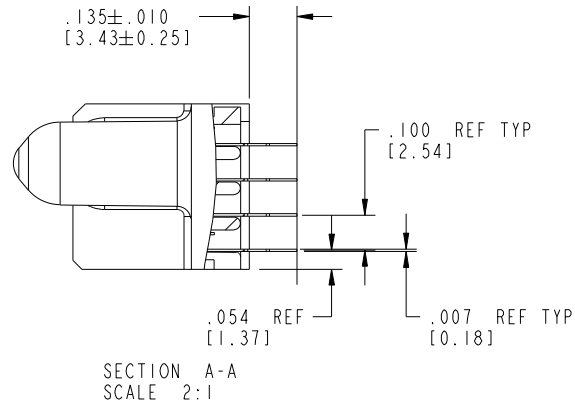


Tous droits strictement reserves. Reproduction ou communication a des tiers interdite sous quelque forme que ce soit sans autorisation ecrite du proprietaire. Propriete de c FCI. Droits de reproduction FCI.

All rights strictly reserved. Reproduction or issue to third parties in any form whatever is not permitted without written authority from the proprietor. Property of FCI. Copyright FCI.

PRODUCT NUMBER
51751-012--
NOTE ③



mat'l code		SEE NOTE 2		tolerances unless otherwise specified		CUSTOMER		FCJ	
ltr	ecn no.	dr	date	linear	.XX ± .01 / 0.X ± 0.3	COPY		www.fciconnect.com	
E				linear	.XXX ± .005 / 0.XX ± 0.13	projection		title 32S + 14P	
				angles	.XXX ± .0020 / 0.XXX ± 0.051	INCH/MM		VERTICAL PRESS-FIT RECEIPT	
				dr	0° ± 2°	scale		product family PwrBlade code 213	
				enr	T. BRUNGARD 05/03/04	1:1		size dwg no 213	
				chr	M. GRAY 05/03/04			sheet 2 of 4	
				appd	M. GRAY 05/03/04			A 51751-012	
sheet index	revision sheet								

Pro/E

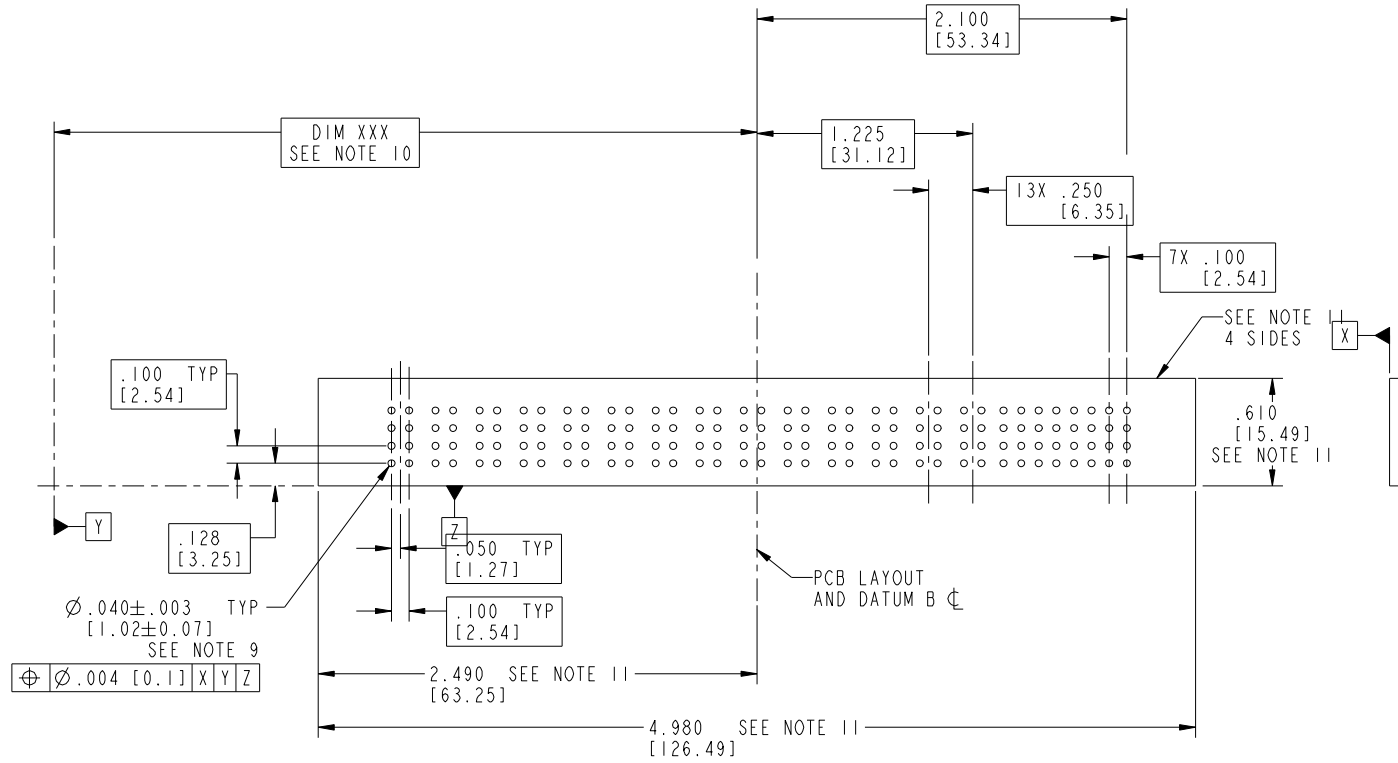
cage code 22526

Tous droits strictement reserves. Reproduction ou communication a des tiers interdite sous quelque forme que ce soit sans autorisation écrite du propriétaire. Propriete de c.FCI. Droits de reproduction FCI.



All rights strictly reserved. Reproduction or issue to third parties in any form whatever is not permitted without written authority from the proprietor. Property of FCI. Copyright FCI.

PRODUCT NUMBER
51751-012--
NOTE ③



mat'l code		SEE NOTE 2		tolerances unless otherwise specified		CUSTOMER		FCI		www.fciconnect.com	
ltr	ecn no.	dr	date	linear	.XX±.01/0.X±0.3	COPY		title			
E					.XXX±.005/0.XX±0.13	projection		32S + 14P			
				angles	.XXX±.0020/0.XXX±0.051	INCH/MM		VERTICAL PRESS-FIT RECEPT			
				dr	0°±2°	scale		product family		code	
				enr	T. BRUNGARD 05/03/04	1:1		PwrBlade		213	
				chr	M. GRAY 05/03/04	A		size		sheet	
				appd	M. GRAY 05/03/04	51751-012		dwg no		3 of 4	
sheet index	revision sheet							cage code		22526	

Pro/E

cage code 22526

Tous droits strictement reserves. Reproduction ou communication a des tiers interdite sous quelque forme que ce soit sans autorisation écrite du propriétaire. Propriete de c FCI. Droits de reproduction FCI.



All rights strictly reserved. Reproduction or issue to third parties in any form whatever is not permitted without written authority from the proprietor. Property of FCI. Copyright FCI.

PRODUCT NUMBER
51751-012--
NOTE ③

NOTES:

1. DIMENSIONS AND TOLERANCES ARE IN ACCORDANCE WITH ASME Y14.5M, 1994 UNLESS OTHERWISE SPECIFIED.

CONNECTOR NOTES:

- ② HOUSING MATERIAL: UL 94 V-0 GLASS FILLED
HIGH-TEMP THERMOPLASTIC
POWER CONTACT MATERIAL: COPPER ALLOY
SIGNAL PIN MATERIAL: COPPER ALLOY
- 3. PLATING SPEC.
51751-012, 51751-012LF PLATING SPEC. WAS SHOWN IN THE PRINT OF 10064183.
- ④ MANUFACTURER'S NAME, P/N, AND DATE CODE TO APPEAR ON THIS SURFACE.
- 5. PRODUCT SPECIFICATION GS-12-149.
APPLICATION SPECIFICATION BUS-20-067.
- 6. PACKAGED IN TRAYS.

PCB NOTES:

- 7. ALL HOLE DIAMETERS ARE FINISHED HOLE SIZE.
- ⑧ MOUNTING HOLES, WHERE APPLICABLE, ARE UNPLATED.
- ⑨ $\varnothing 1.151 \pm 0.025$ DRILLED HOLES PLATED WITH 0.008 MIN SnPb OR Sn OVER 0.03 TO 0.08 Cu PLATING TO ACHIEVE $\varnothing 1.02 \pm 0.07$ HOLE.
- ⑩ "DIM XXX" TO BE DETERMINED BY THE CUSTOMER.
- ⑪ CONNECTOR KEEP-OUT ZONE.
- ⑫ THE VOID CORING IN BETWEEN POWER MODULES, SIGNAL MODULES AND END MODULES ARE OPTIONAL AND THE SHAPE MAY BE DIFFERENT FOR OPTIMIZING THE MOLDING PROCESS. THE VOID CORING WILL NOT EFFECT TO PRODUCT FUNCTION.

mat'l code		SEE NOTE 2		tolerances unless otherwise specified		CUSTOMER		FCI		www.fciconnect.com	
ltr	ecn no.	dr	date	linear	.XX±.01/0.X±0.3	COPY		title			
E					.XXX±.005/0.XX±0.13	projection		32S + 14P			
				angles	.XXX±.0020/0.XXX±0.051			VERTICAL PRESS-FIT RECEIPT			
				dr	0°±2°	INCH/MM		product family		PwrBlade	code
				enrg	T. BRUNGARD 05/03/04	scale		size		dwg no	213
				chr	M. GRAY 05/03/04	1:1		A		51751-012	sheet
				appd	M. GRAY 05/03/04						4 of 4
sheet index	revision sheet										

cage code 22526

1 | 2

3 |

4

1 | 2

Pro/E

3 |

4